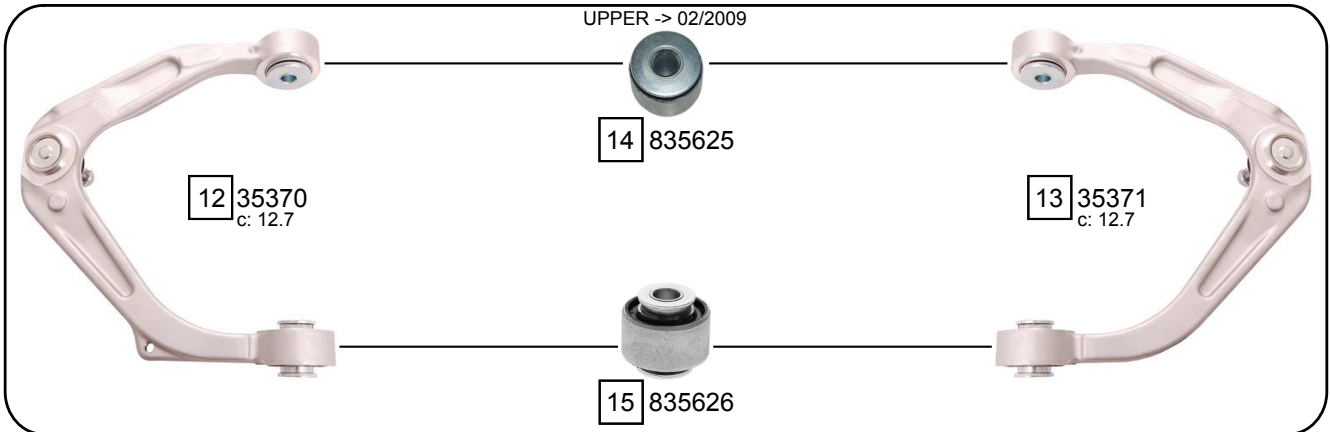
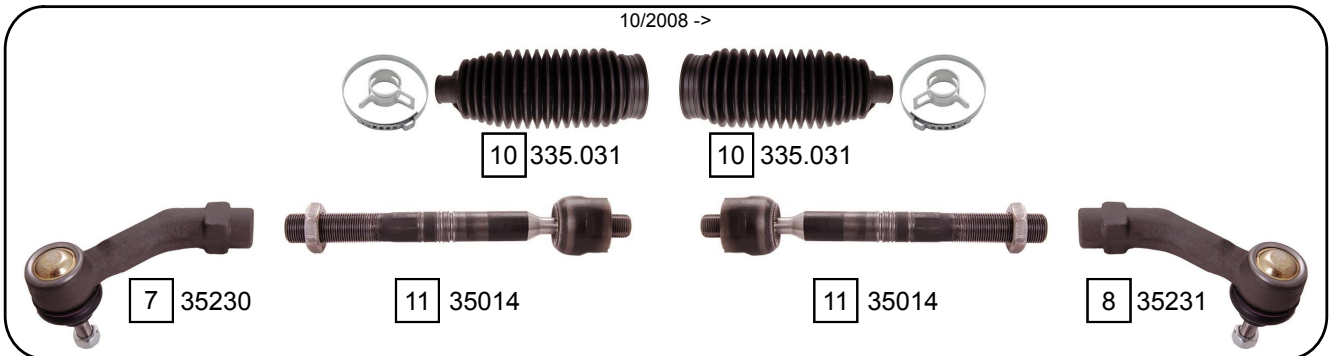
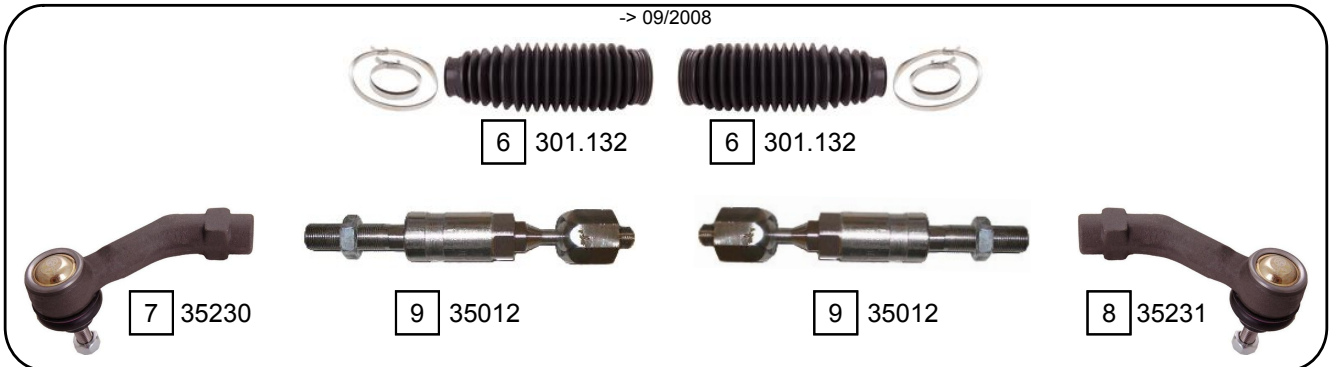
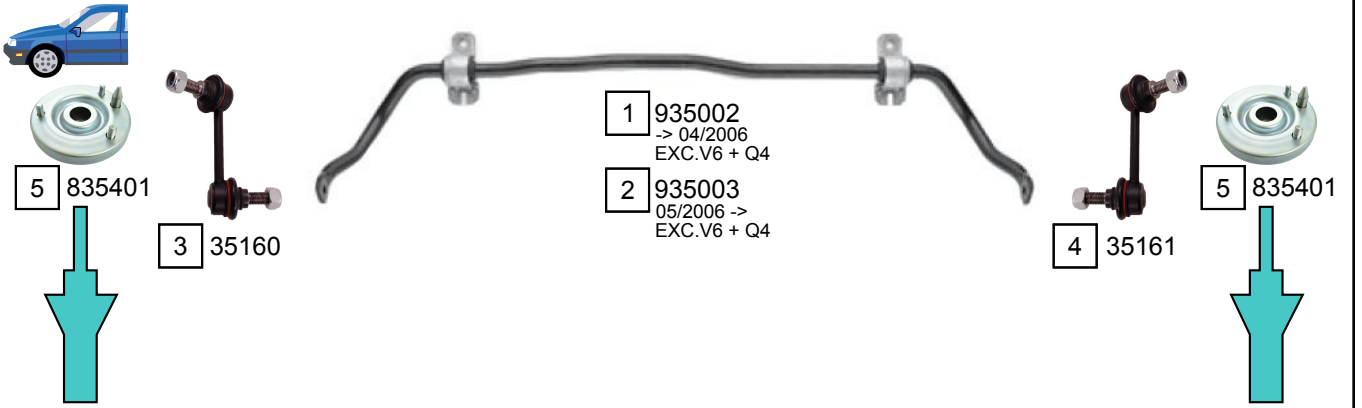


BRERA

01/2006 - 10/2010



Ref.	Sidem Ref.	Description	OE-number	Measures	Ref.	Sidem Ref.	Description	OE-number	Measures
1	935002	stabilizer bar	507 06 987	do:22 L:1013	9	35012	axial joint	Part of	th:MM16X1.5R L:214
2	935003	stabilizer bar	505 10 813	do:22 L:1013	10	335.031	steering rack gaiter	773 64 750	D:51 d:20 L:175
3	35160	stabilizer link left	517 95 454	L:102	11	35014	axial joint	Part of	th:MM16X1.5R L:214
4	35161	stabilizer link right	517 95 455	L:102	12	35370	TCA left wbj	517 87 337	c:12.7
5	835401	strut mount	505 15 176	di:10.1 do:141.5 L:56.5	13	35371	TCA right wbj	517 87 336	c:12.7
6	301.132	steering rack gaiter	773 63 705	D:51 d:34 L:198	14	835625	silentblock for TCA	Part of	di:13.2 do:41.2
7	35230	tie rod end left	773 63 706	c:14.6 th:FM20X1.5R	15	835626	silentblock for TCA	Part of	di:13.2 do:43.2
8	35231	tie rod end right	773 63 707	c:14.6 th:FM20X1.5R					