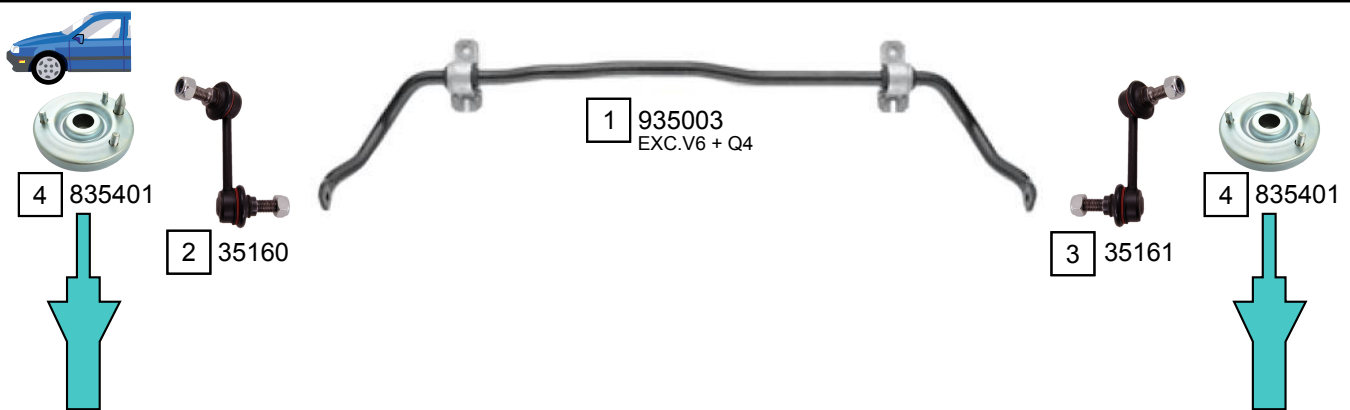


SPIDER (939)

09/2006 - 10/2010



1 935003
EXC.V6 + Q4

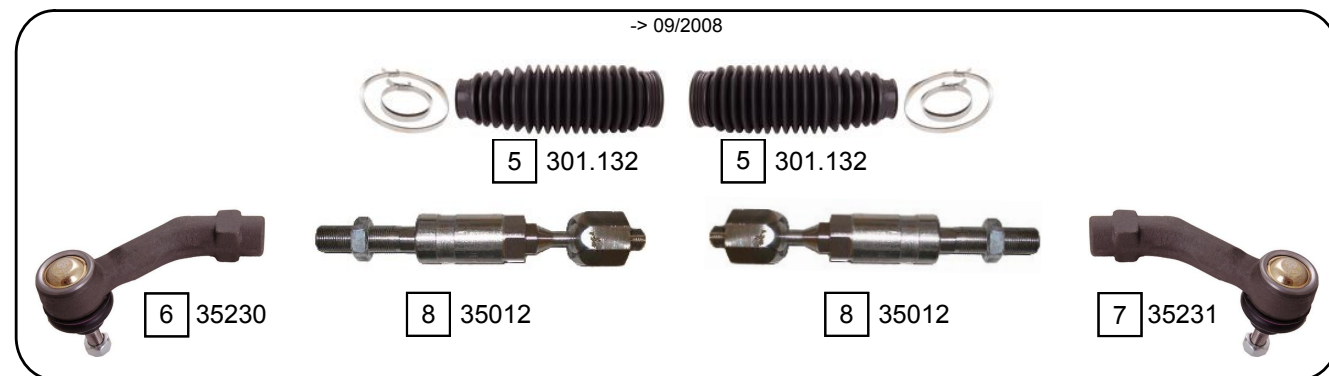
4 835401

2 35160

3 35161

4 835401

-> 09/2008



5 301.132

5 301.132

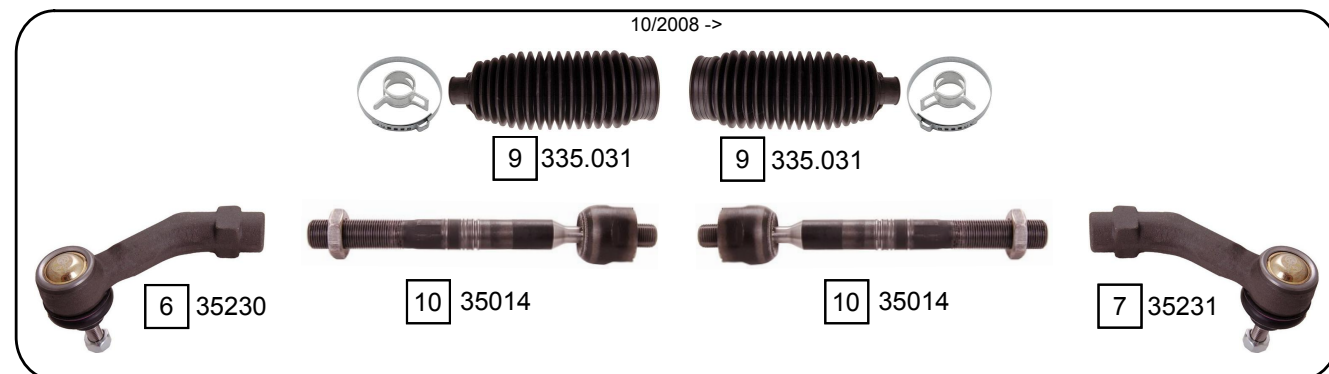
6 35230

8 35012

8 35012

7 35231

10/2008 ->



9 335.031

9 335.031

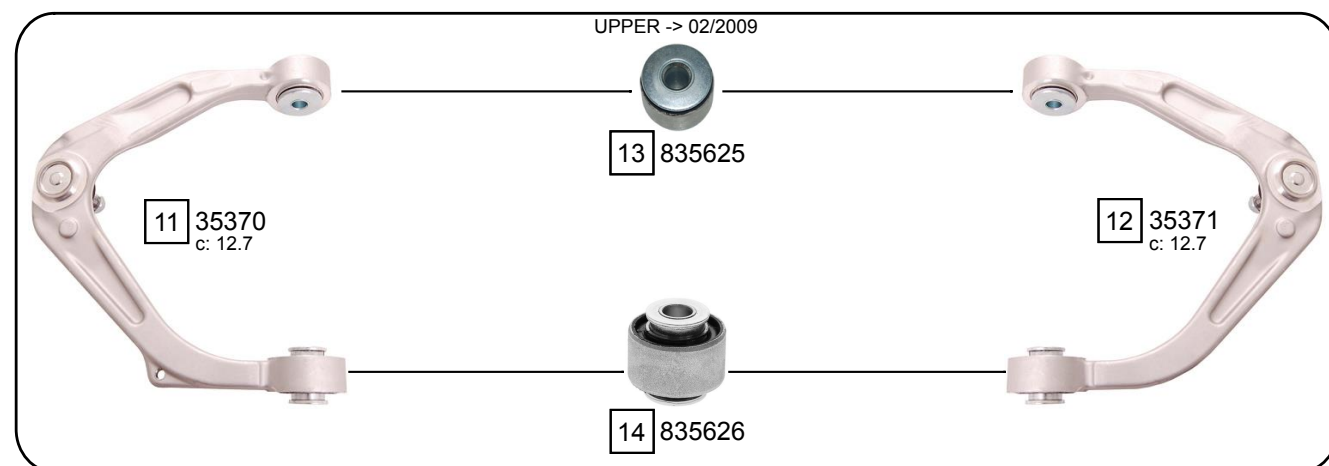
6 35230

10 35014

10 35014

7 35231

UPPER -> 02/2009



11 35370
c: 12.7

13 835625

12 35371
c: 12.7

14 835626

Ref.	Sidem Ref.	Description	OE-number	Measures	Ref.	Sidem Ref.	Description	OE-number	Measures
1	935003	stabilizer bar	505 10 813	do:22 L:1013	8	35012	axial joint	Part of	th:MM16X1.5R L:214
2	35160	stabilizer link left	517 95 454	L:102	9	335.031	steering rack gaiter	773 64 750	D:51 d:20 L:175
3	35161	stabilizer link right	517 95 455	L:102	10	35014	axial joint	Part of	th:MM16X1.5R L:214
4	835401	strut mount	505 15 176	di:10.1 do:141.5 L:56.5	11	35370	TCA left wbj	517 87 337	c:12.7
5	301.132	steering rack gaiter	773 63 705	D:51 d:34 L:198	12	35371	TCA right wbj	517 87 336	c:12.7
6	35230	tie rod end left	773 63 706	c:14.6 th:FM20X1.5R	13	835625	silentblock for TCA	Part of	di:13.2 do:41.2
7	35231	tie rod end right	773 63 707	c:14.6 th:FM20X1.5R	14	835626	silentblock for TCA	Part of	di:13.2 do:43.2