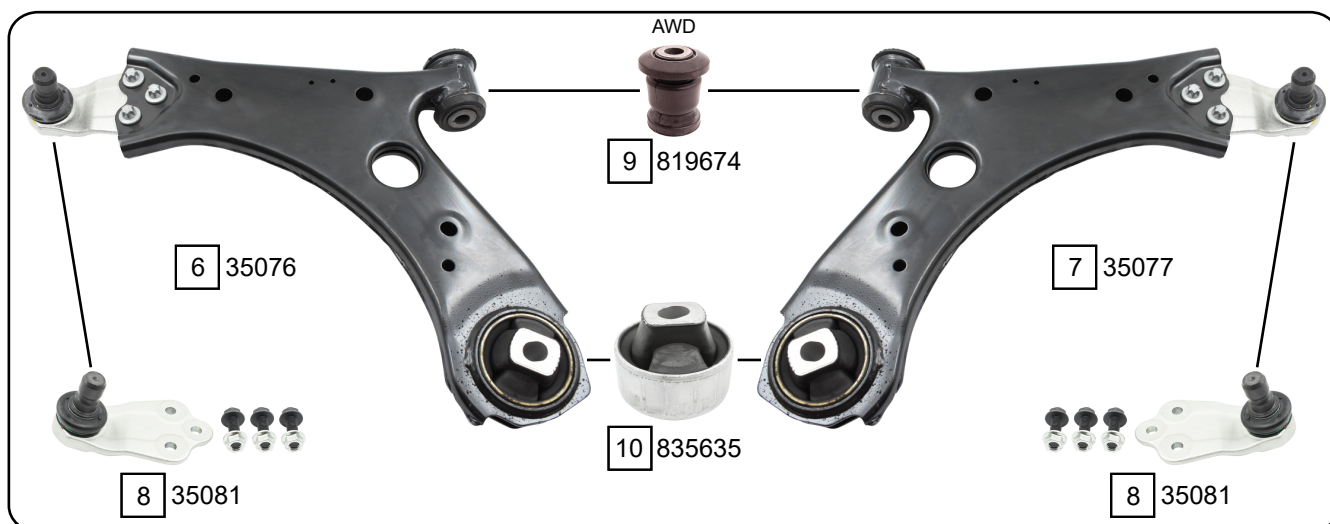
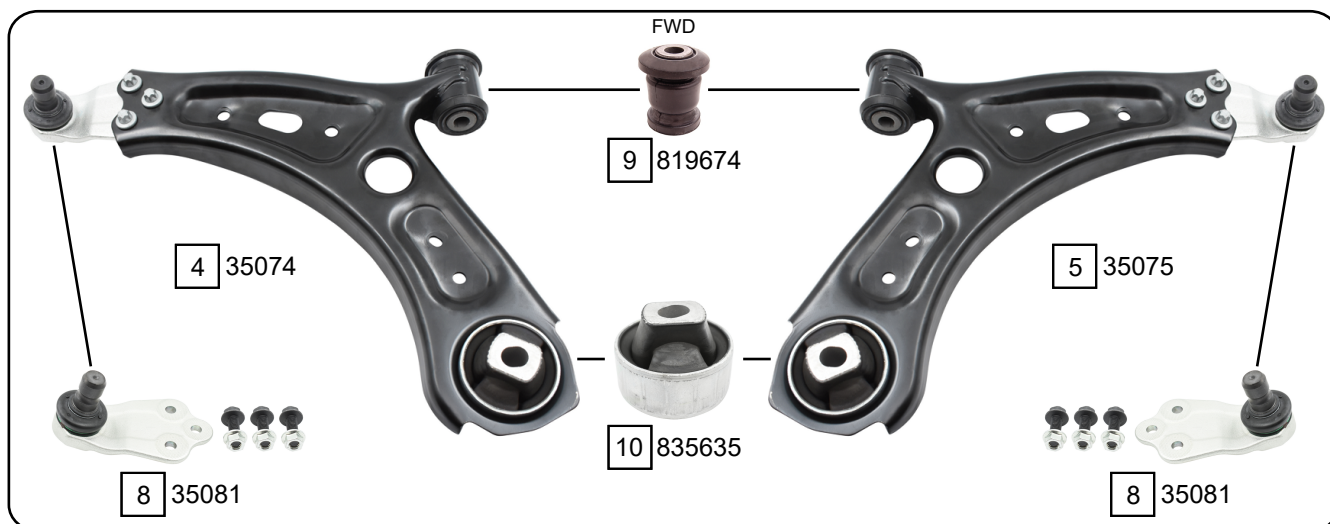
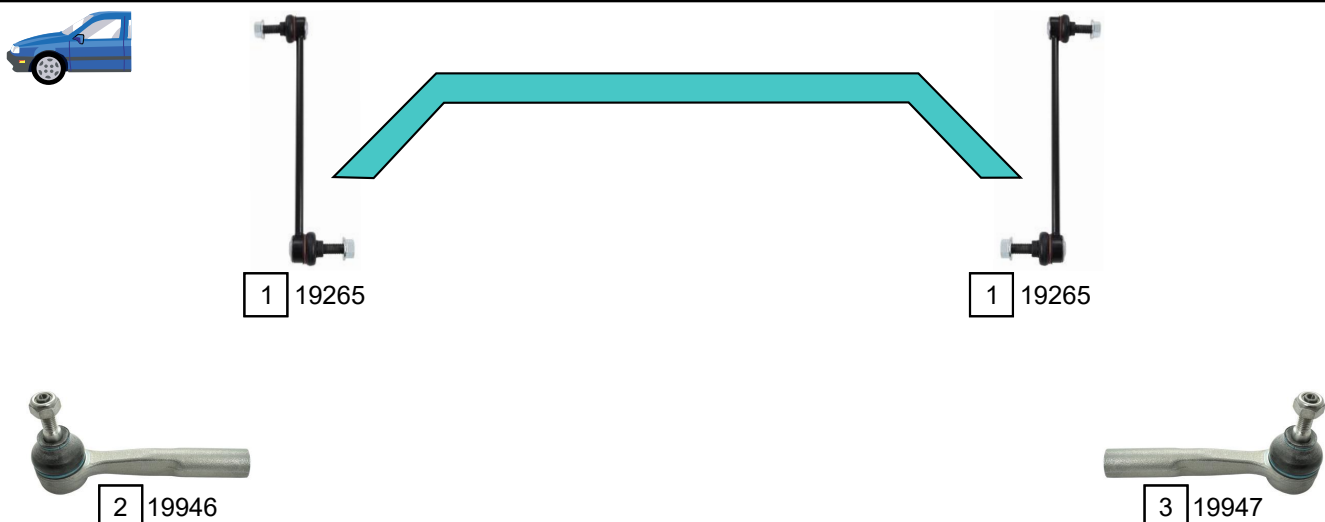


TONALE (965_)

03/2022 ->



Ref.	Sidem Ref.	Description	OE-number	Measures	Ref.	Sidem Ref.	Description	OE-number	Measures
1	19265	stabilizer link	522 01 888	L:280	6	35076	TCA left wbj	505 65 029	c:21
2	19946	tie rod end left	773 68 518	c:11.7 th:FM16X1.5R	7	35077	TCA right wbj	505 65 007	c:21
3	19947	tie rod end right	773 68 517	c:11.7 th:FM16X1.5R	8	35081	ball joint	505 65 032	c:21
4	35074	TCA left wbj	505 35 038	c:21	9	819674	silentblock for TCA	Part of	di:14.3 do:42.5
5	35075	TCA right wbj	505 65 028	c:21	10	835635	silentblock for TCA	Part of	di:14.2 do:70.2