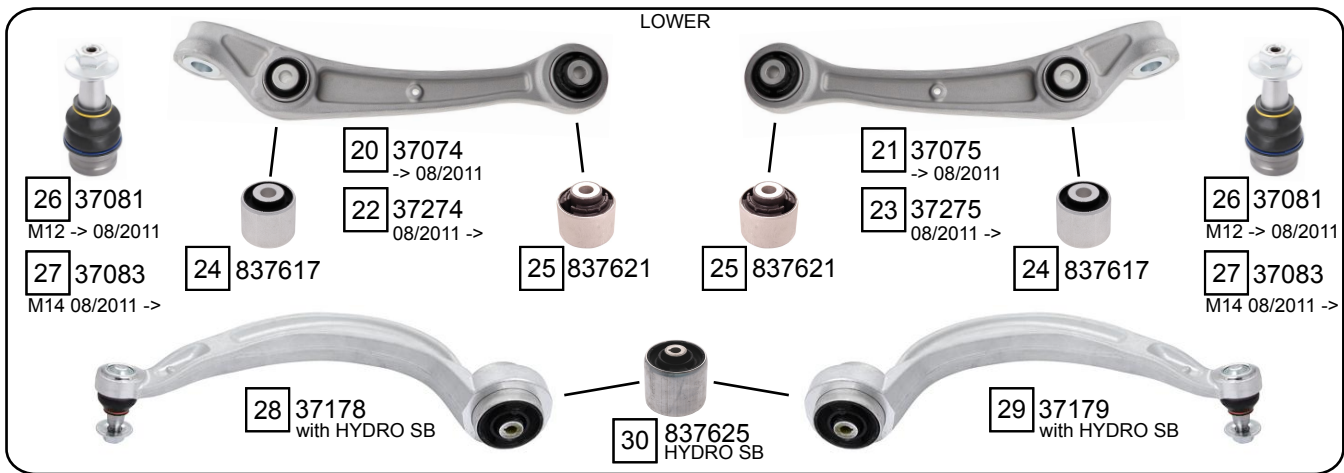
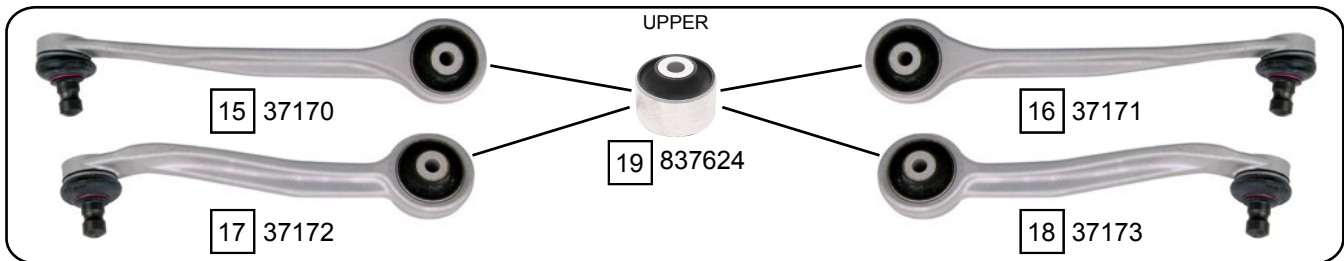
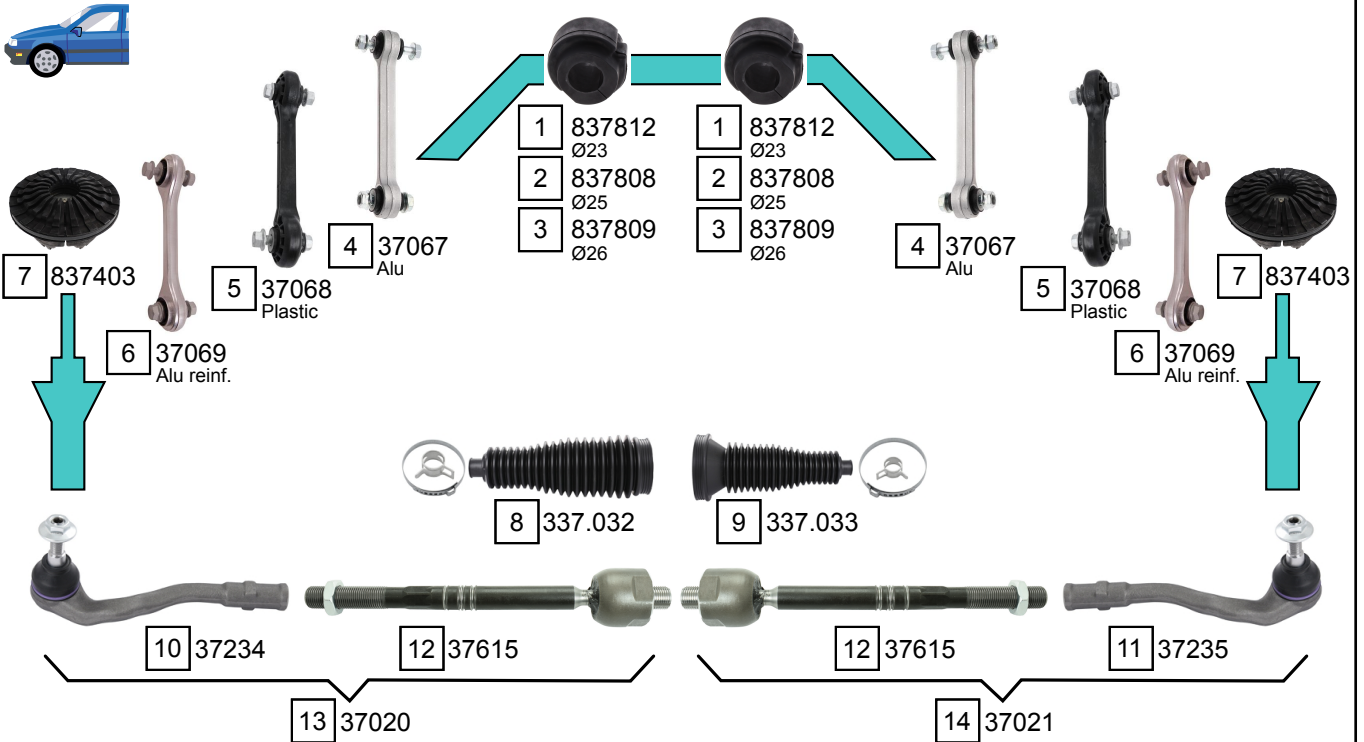


A7 SPORTBACK (4GA,4GF)

10/2010 - 05/2018



Ref.	Sidem Ref.	description	OE-number	measures	Ref.	Sidem Ref.	description	OE-number	measures
1	837812	stabilizer mounting	8K0 411 327 A	di:23.4	16	37171	TCA right wbj	8K0 407 506 M	c:16
2	837808	stabilizer mounting	4D0 411 327 G	di:24.5	17	37172	TCA left wbj	8K0 407 509 M	c:16
3	837809	stabilizer mounting	8K0 411 327 B	di:26	18	37173	TCA right wbj	8K0 407 510 M	c:16
4	37067	stabilizer link	8K0 411 317 E S1	L:170	19	837624	silentblock for TCA	8R0 407 515	di:10.2 do:46.2
5	37068	stabilizer link	8K0 411 317 D S1	L:170	20	37074	TCA left wobj	8K0 407 151 D	c:13.8
6	37069	stabilizer link	4M0 411 317	L:170	21	37075	TCA right wobj	8K0 407 152 D	c:13.8
7	837403	strut mount	8E0 412 377 C	di:12.3 do:112 L:57.5	22	37274	TCA left wobj	8K0 407 151 F	c:17
8	337.032	steering rack gaiter	4G0 423 831	D:54 d:16 L:187	23	37275	TCA right wobj	8K0 407 152 F	c:17
9	337.033	steering rack gaiter	4G0 423 832 A	D:79 d:16 L:201	24	837617	silentblock for TCA	4E0 407 181 B	di:12.3 do:43.8
10	37234	tie rod end left	8K0 422 817 B	c:14.7 th:FM16x1.5R	25	837621	silentblock for TCA	8K0 407 182 B	di:12.2 do:50.3
11	37235	tie rod end right	8K0 422 818 B	c:14.7 th:FM16x1.5R	26	37081	ball joint	8K0 407 689 G	c:13.8 do:42
12	37615	axial joint	4G0 423 810 A	th:MM16X1.5R L:236	27	37083	ball joint	4G0 407 689 C	c:17.4 do:42
13	37020	tie rod left	4G0 423 810 A S1	c:14.7	28	37178	TCA left wbj	4G0 407 693 D	c:16.8 L:422
14	37021	tie rod right	4G0 423 810 A S2	c:14.7	29	37179	TCA right wbj	4G0 407 694 D	c:16.8
15	37170	TCA left wbj	8K0 407 505 M	c:16	30	837625	silentblock for TCA	4H0 407 183 C	di:12.1 do:74.8