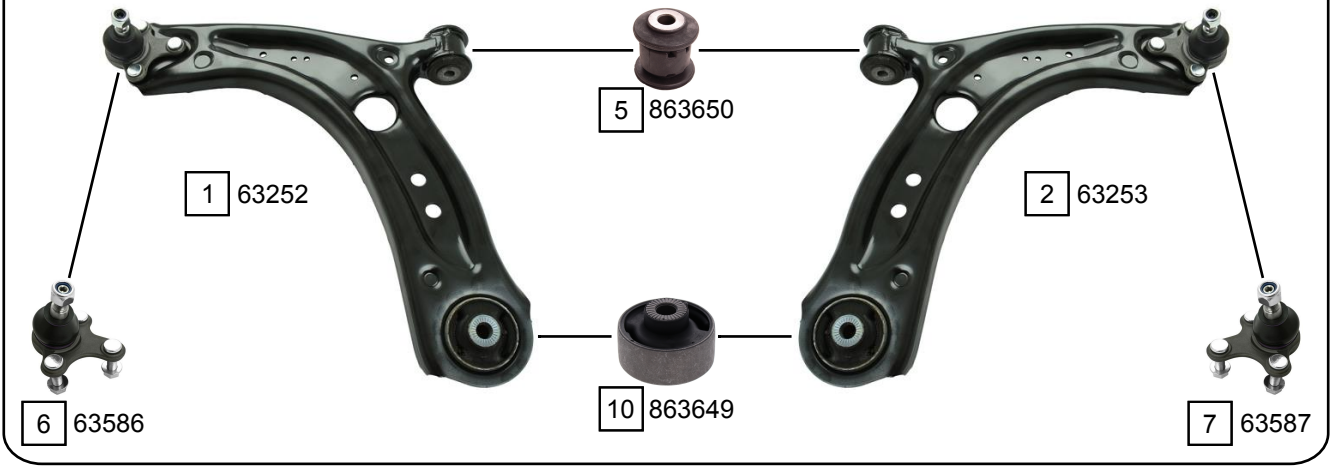


Q2 (GA_)

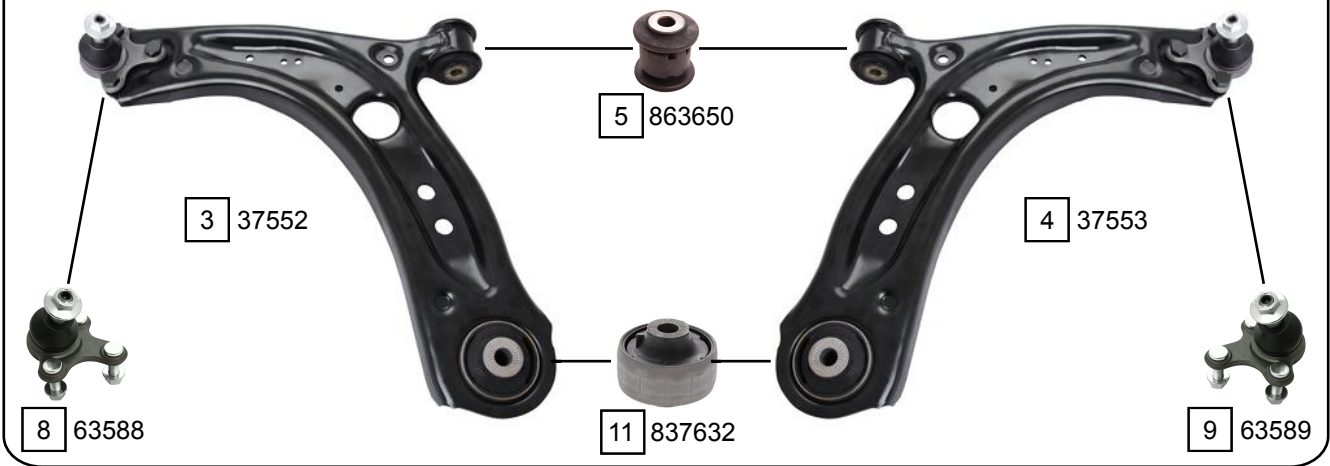
06/2016 ->



STEEL WHEEL BEARING HOUSING



ALU WHEEL BEARING HOUSING



Ref.	Sidem Ref.	Description	OE-number	Measures	Ref.	Sidem Ref.	Description	OE-number	Measures
1	63252	TCA left wbj	5WA 407 151 S1	c:15.4	7	63587	ball joint right	1K0 407 366 C	c:15.4
2	63253	TCA right wbj	5WA 407 152 S1	c:15.4	8	63588	ball joint left	3C0 407 365 B	c:15.2
3	37552	TCA left wbj	81A 407 151 F	c:15.2	9	63589	ball joint right	3C0 407 366 B	c:15.2
4	37553	TCA right wbj	81A 407 152 F	c:15.2	10	863649	silentblock for TCA	5Q0 407 183 E	di:13 do:65
5	863650	silentblock for TCA	5Q0 407 182	di:12.1 do:40.1	11	837632	silentblock for TCA	81A 407 183	di:13.3 do:65
6	63586	ball joint left	1K0 407 365 C	c:15.4					