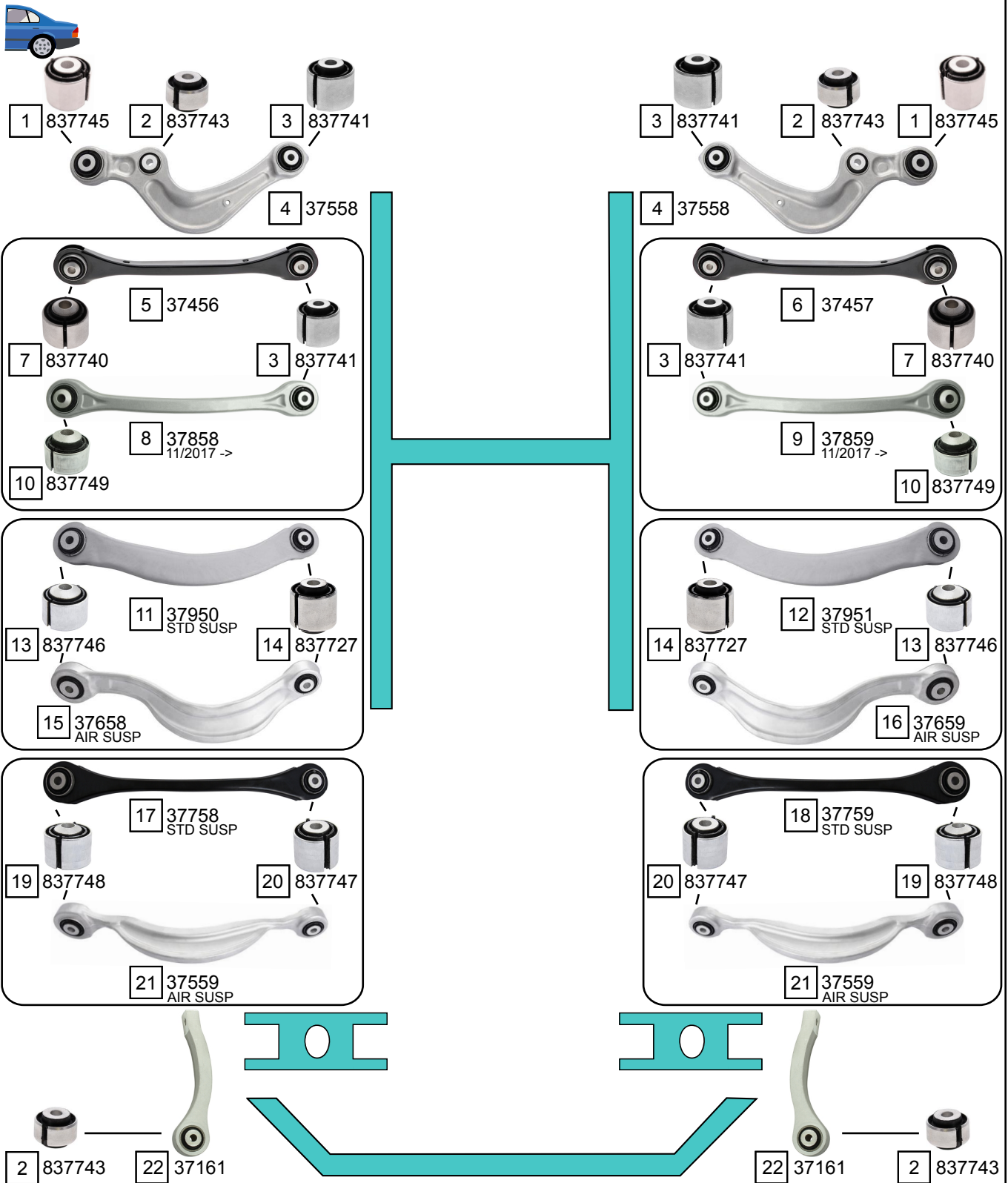


Q7 (4M)

01/2015 ->



Ref.	Sidem Ref.	description	OE-number	measures	Ref.	Sidem Ref.	description	OE-number	measures
1	837745	silentblock for TCA	Part of	di:12 do:44	12	37951	track rod	4M0 505 398 R	L:405
2	837743	silentblock for TCA	Part of	di:10.3 do:34,8	13	837746	silentblock for TCA	Part of	di:14.4 do:50
3	837741	silentblock for TCA	Part of	di:10.2 do:40	14	837727	silentblock for TCA	Part of	di:12 do:42
4	37558	TCA	4M0 505 323 G	L:295	15	37658	track rod	4M0 505 397 P	L:405
5	37456	track rod	4N0 505 291 L	L:360	16	37758	track rod	4M0 501 529 Q	L:445
6	37457	track rod	4N0 505 292 L	L:360	17	37759	track rod	4M0 501 530 Q	L:445
7	837740	silentblock for TCA	Part of	di:12.5 do:44	18	37659	track rod	4M0 505 398 P	L:405
8	37858	track rod	4M0 505 291 F	L:360	19	837748	silentblock for TCA	Part of	di:14.5 do:50
9	37859	track rod	4M0 505 292 F	L:360	20	837747	silentblock for TCA	Part of	di:12 do:42
10	837749	silentblock for TCA	Part of	di:12.6 do:45	21	37559	track rod	4M0 501 529 L	L:445
11	37950	track rod	4M0 505 397 R	L:405	22	37161	stabilizer link	4M0 505 465 D	L:175