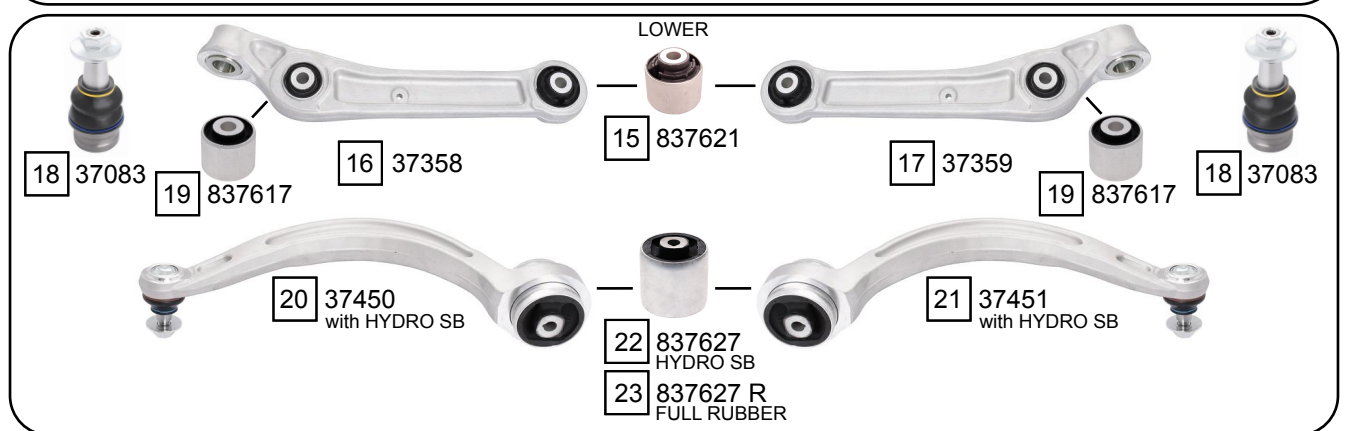
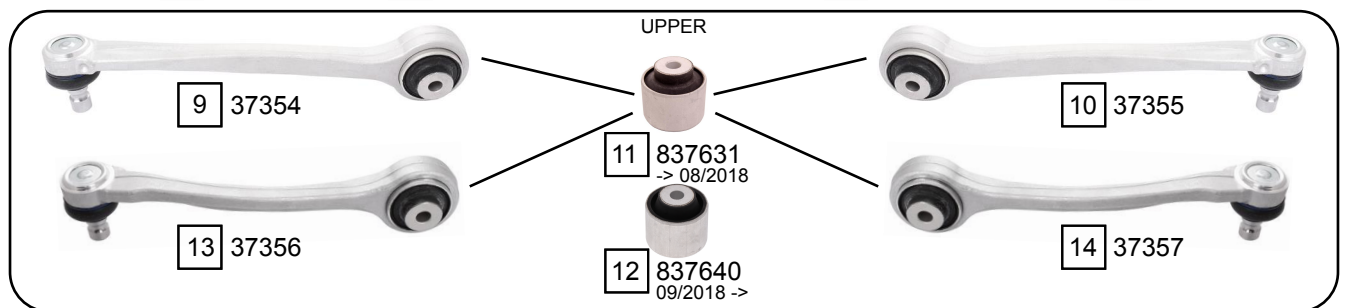
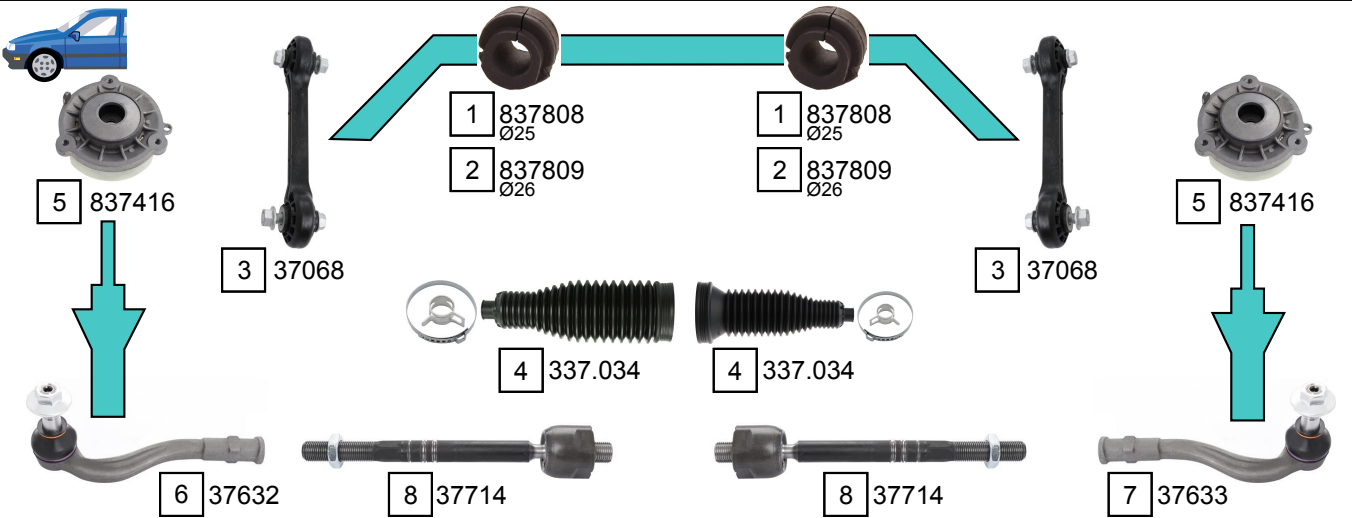


A5 COUPE (F53, F5P)
A5 SPORTBACK (F5A, F5F)
A5 CABRIO (F57, F5E)

06/2016 ->
09/2016 ->
11/2016 ->



| Ref. | Sidem Ref. | Description | OE-number | Measures | Ref. | Sidem Ref. | Description | OE-number | Measures |
|------|------------|----------------------|------------------|---------------------|------|------------|---------------------|------------------|-----------------|
| 1 | 837808 | stabilizer mounting | 4D0 411 327 G | di:24.5 | 13 | 37356 | TCA left wbj | 8W0 407 509 B | c:16 |
| 2 | 837809 | stabilizer mounting | 8K0 411 327 B | di:26 | 14 | 37357 | TCA right wbj | 8W0 407 510 B | c:16 |
| 3 | 37068 | stabilizer link | 8K0 411 317 D S1 | L:170 | 15 | 837621 | silentblock for TCA | 8K0 407 182 B | di:12.2 do:50.3 |
| 4 | 337.034 | steering rack gaiter | 4M0 423 831 B | D:57 d:16 L:203 | 16 | 37358 | TCA left wobj | 8W0 407 151 A | c:17 |
| 5 | 837416 | strut mount | 8W0 412 377 B | di:12 | 17 | 37359 | TCA right wobj | 8W0 407 152 A | c:17 |
| 6 | 37632 | tie rod end left | 8W0 423 811 C | c:15.8 th:FM16X1.5R | 18 | 37083 | ball joint | 4G0 407 689 C | c:17.4 do:42 |
| 7 | 37633 | tie rod end right | 8W0 423 812 C | c:15.8 th:FM16X1.5R | 19 | 837617 | silentblock for TCA | 4E0 407 181 B | di:12.3 do:43.8 |
| 8 | 37714 | axial joint | 8W0 423 810 A | th:MM16X1.5R L:217 | 20 | 37450 | TCA left wbj | 8W0 407 693 B | c:17 |
| 9 | 37354 | TCA left wbj | 8W0 407 505 C | c:16 | 21 | 37451 | TCA right wbj | 8W0 407 694 B | c:17 |
| 10 | 37355 | TCA right wbj | 8W0 407 506 C | c:16 | 22 | 837627 | silentblock for TCA | 8K0 407 183 F | di:13 do:75.2 |
| 11 | 837631 | silentblock for TCA | 8W0 407 515 | di:10.2 do:46.3 | 23 | 837627 R | silentblock for TCA | 8K0 407 183 F | di:13 do:75.2 |
| 12 | 837640 | silentblock for TCA | 4N0 407 515 | di:10.2 do:46.3 | 24 | 837643 KIT | silentblock kit | 8K0 407 183 F S1 | |