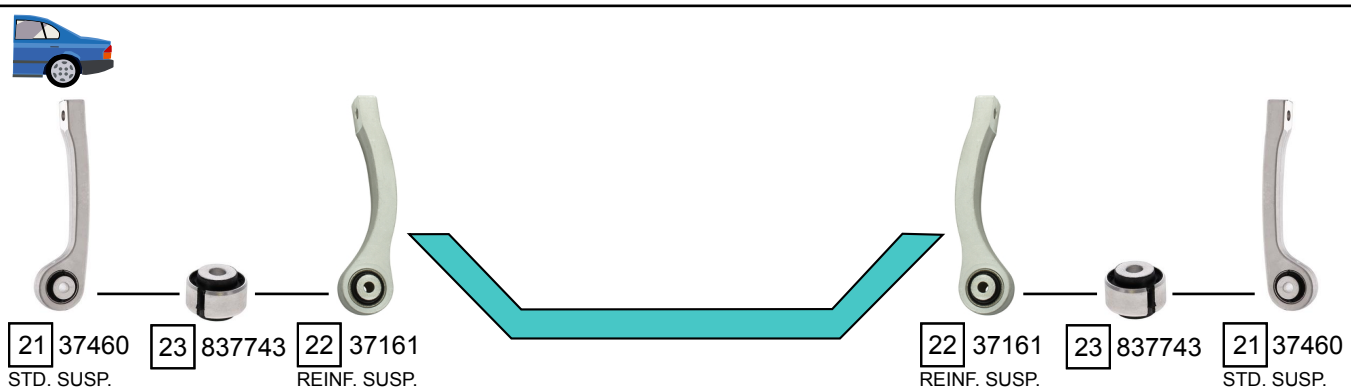
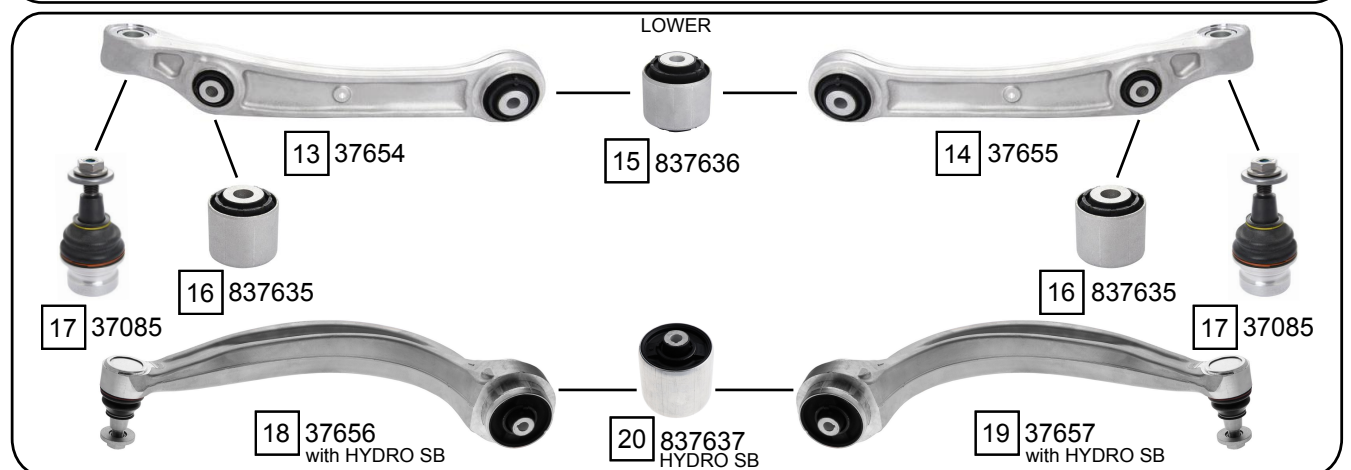
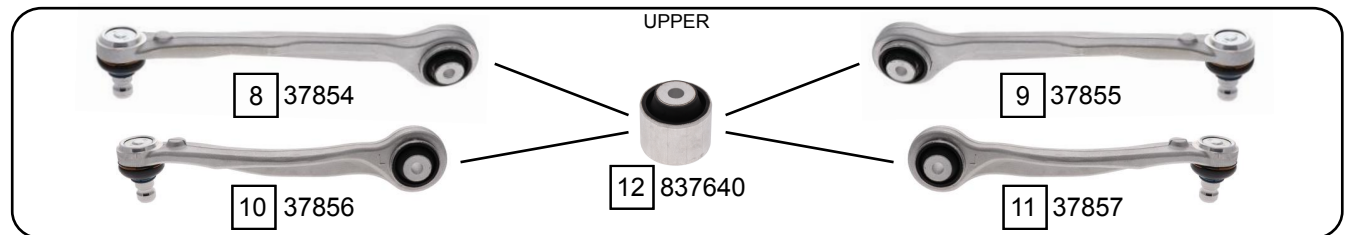
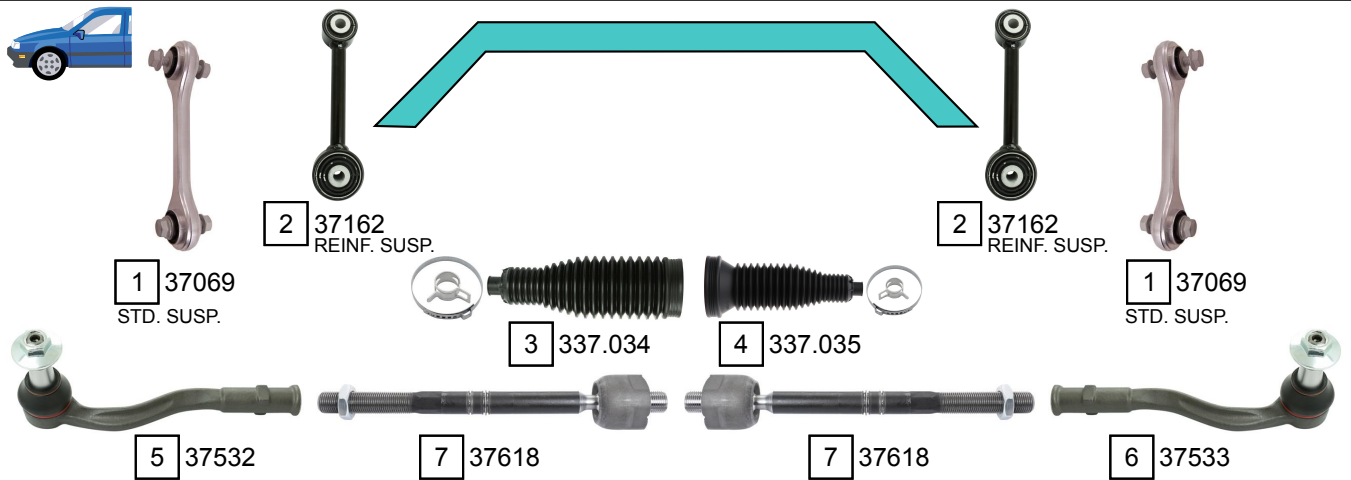


A8 QUATTRO (4N\_, D5)

06/2017 ->



Ref.	Sidem Ref.	Description	OE-number	Measures	Ref.	Sidem Ref.	Description	OE-number	Measures
1	37069	stabilizer link	4M0 411 317	L:170	13	37654	TCA left wobj	4M0 407 151 L	c:19.3 L:371
2	37162	stabilizer link	4M0 411 317 K	L:170	14	37655	TCA right wobj	4M0 407 152 L	c:19.3 L:371
3	337.034	steering rack gaiter	4M0 423 831 B	D:57 d:16 L:203	15	837636	silentblock for TCA	4M0 407 182 A	di:12.1 do:55.2
4	337.035	steering rack gaiter	4M0 423 832 B	D:80 d:16 L:219	16	837635	silentblock for TCA	4M0 407 181	di:12.3 do:43.8
5	37532	tie rod end left	4M0 423 811 D	c:17 th:FM16X1.5R	17	37085	ball joint	4M0 407 689 C	c:20 do:49
6	37533	tie rod end right	4M0 423 812 D	c:17 th:FM16X1.5R	18	37656	TCA left wbj	4M0 407 693 F	c:19.5 L:447
7	37618	axial joint	4M0 423 810 C	th:MM16X1.5R L:235	19	37657	TCA right wbj	4M0 407 694 F	c:19.5 L:447
8	37854	TCA left wbj	4N0 407 505	c:18	20	837637	silentblock for TCA	4M0 407 183 B	di:12 do:80
9	37855	TCA right wbj	4N0 407 509	c:18	21	37460	stabilizer link	8W0 505 465 B	L:175
10	37856	TCA left wbj	4N0 407 506	c:18	22	37161	stabilizer link	4M0 505 465 D	L:175
11	37857	TCA right wbj	4N0 407 510	c:18	23	837743	silentblock for TCA	Part of	di:10.3 do:34,8
12	837640	silentblock for TCA	4N0 407 515	di:10.2 do:46.3					