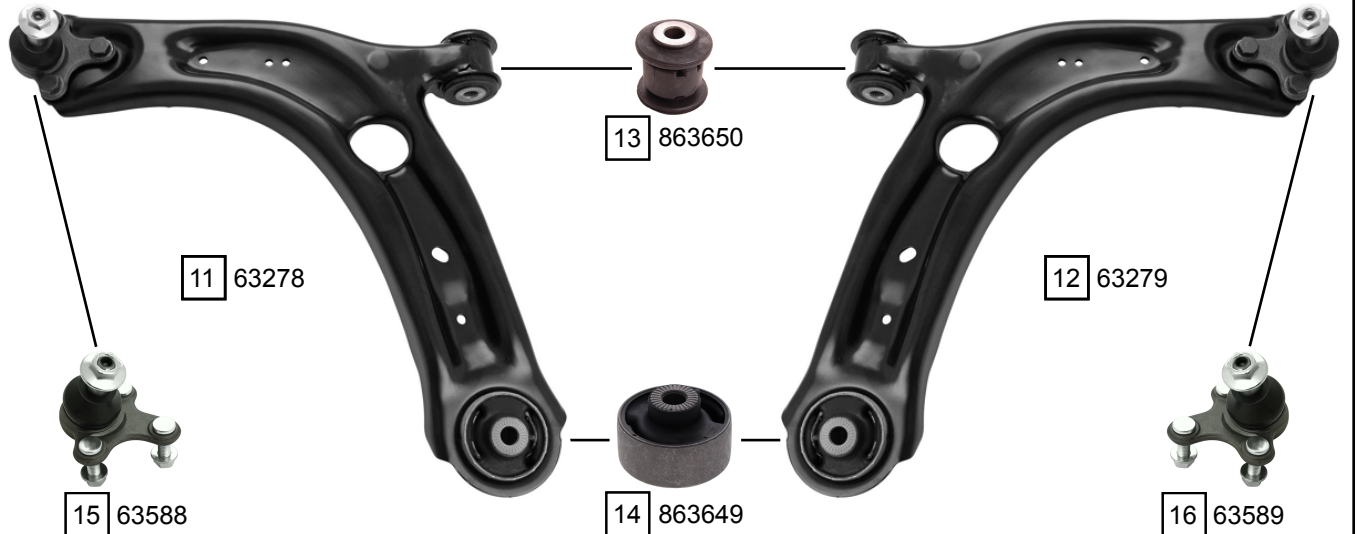
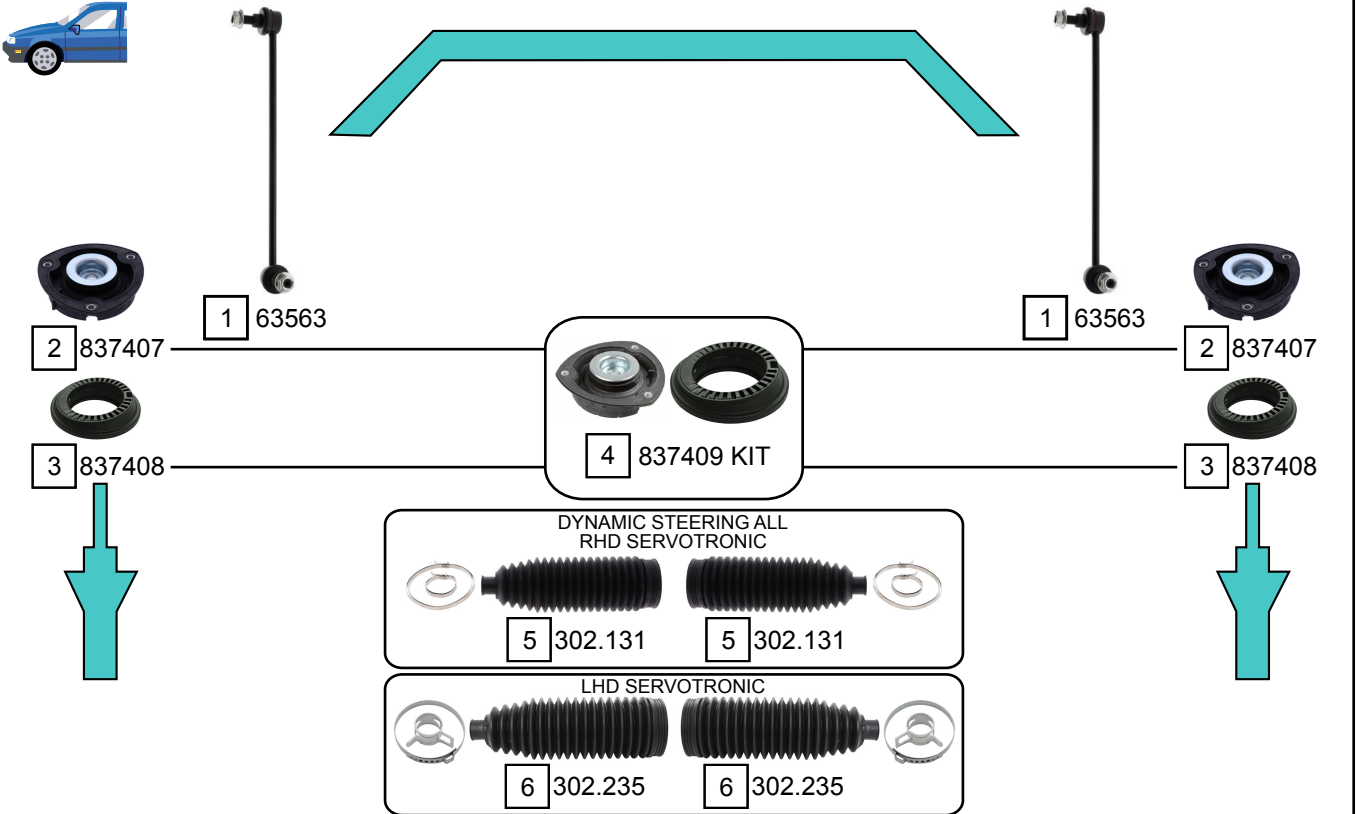


Q3 (F3B)
Q3 SPORTBACK (F3N)

07/2018 ->
06/2019 ->



Ref.	Sidem Ref.	Description	OE-number	Measures	Ref.	Sidem Ref.	Description	OE-number	Measures
1	63563	stabilizer link	5Q0 411 315 A	L:335	9	63513	axial joint	561 423 810	th:MM16X1.5R L:330
2	837407	strut mount	5Q0 412 331 E	di:14.6 do:64.1 L:42	10	63111	axial joint	5WA 423 810 F	th:MM16X1.5R L:329
3	837408	bearing	5Q0 412 249 F	di:74 do:127 L:38.6	11	63278	TCA left wbj	3Q0 407 151 E S1	c:15.2
4	837409 KIT	strut mount kit	5Q0 412 331 E S1	di:15 do:127	12	63279	TCA right wbj	3Q0 407 152 E S1	c:15.2
5	302.131	steering rack gaiter	1K0 423 831 A	D:50 d:15 L:193	13	863650	silentblock for TCA	5Q0 407 182	di:12.1 do:40.1
6	302.235	steering rack gaiter	5Q0 423 831	D:54 d:16 L:191	14	863649	silentblock for TCA	5Q0 407 183 E	di:13 do:65
7	63734	tie rod end left	1K0 423 811 J S2	c:13.2 th:FM16X1.5R	15	63588	ball joint left	3C0 407 365 B	c:15.2
8	63735	tie rod end right	1K0 423 812 J S2	c:13.2 th:FM16X1.5R	16	63589	ball joint right	3C0 407 366 B	c:15.2