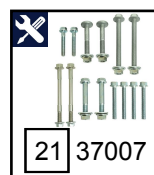
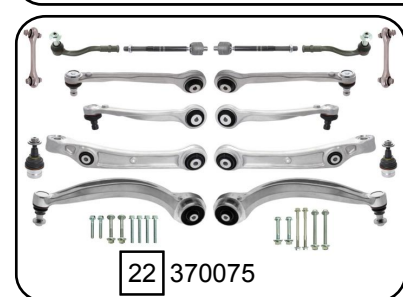
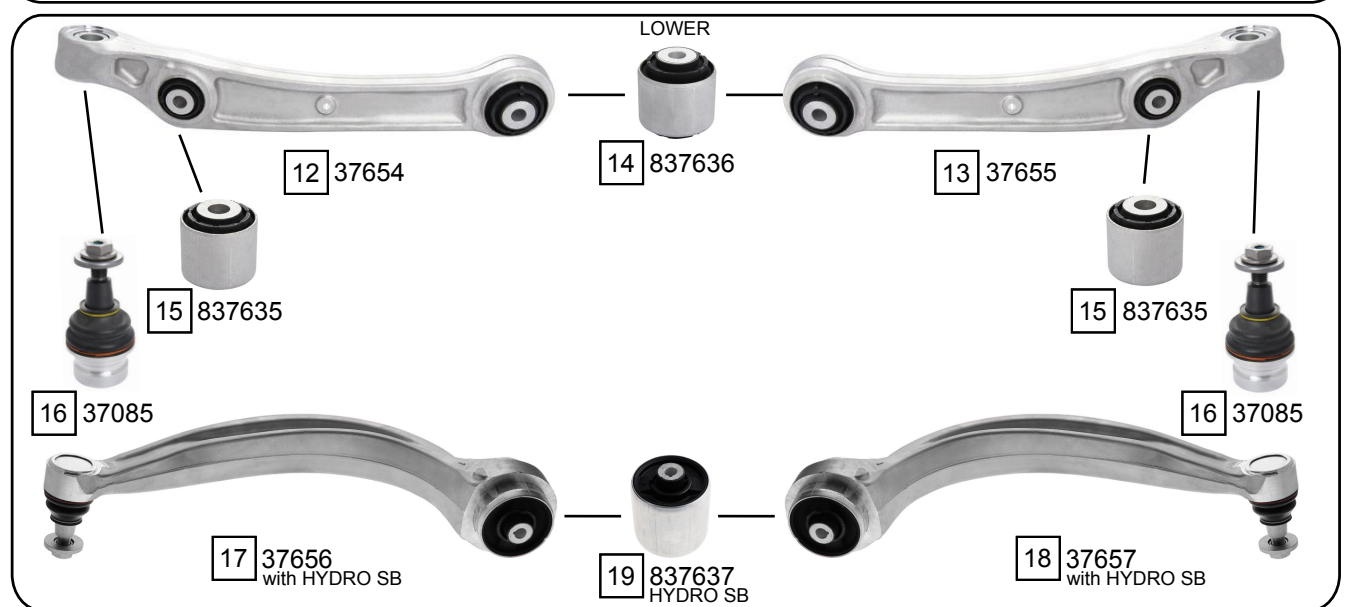
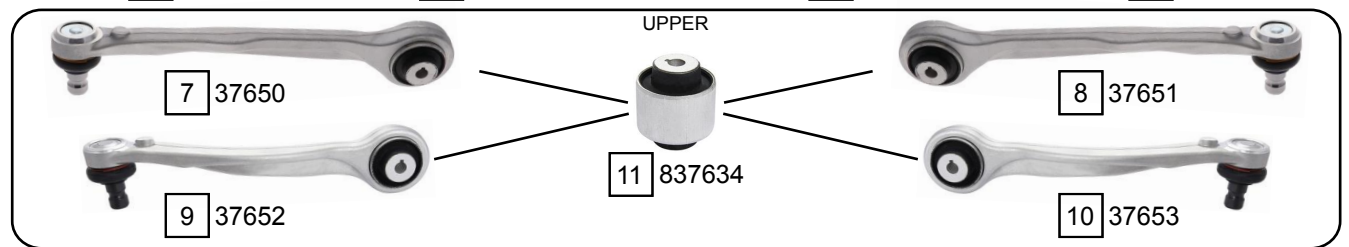
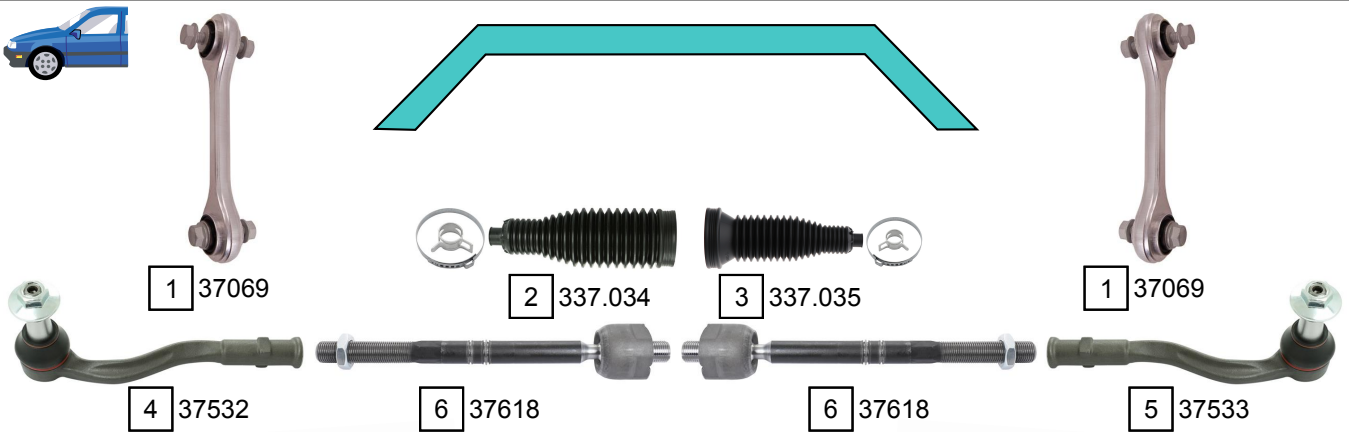


E-TRON (GEN)
E-TRON SPORTBACK (GEA)

09/2018 ->
09/2019 ->



Ref.	Sidem Ref.	description	OE-number	measures	Ref.	Sidem Ref.	description	OE-number	measures
1	37069	stabilizer link	4M0 411 317	L:170	12	37654	TCA left wobj	4M0 407 151 L	c:19.3 L:371
2	337.034	steering rack gaiter	4M0 423 831 B	D:57 d:16 L:203	13	37655	TCA right wobj	4M0 407 152 L	c:19.3 L:371
3	337.035	steering rack gaiter	4M0 423 832 B	D:80 d:16 L:219	14	837636	silentblock for TCA	4M0 407 182 A	di:12.1 do:55.2
4	37532	tie rod end left	4M0 423 811 D	c:17 th:FM16X1.5R	15	837635	silentblock for TCA	4M0 407 181	di:12.3 do:43.8
5	37533	tie rod end right	4M0 423 812 D	c:17 th:FM16X1.5R	16	37085	ball joint	4M0 407 689 C	c:20 do:49
6	37618	axial joint	4M0 423 810 C	th:MM16X1.5R L:235	17	37656	TCA left wbj	4M0 407 693 F	c:19.5 L:447
7	37650	TCA left wbj	4M0 407 505 B	c:18	18	37657	TCA right wbj	4M0 407 694 F	c:19.5 L:447
8	37651	TCA right wbj	4M0 407 506 B	c:18	19	837637	silentblock for TCA	4M0 407 183 B	di:12 do:80
9	37652	TCA left wbj	4M0 407 509 B	c:18	20	837642 KIT	silentblock kit	4M0 407 183 B S1	
10	37653	TCA right wbj	4M0 407 510 B	c:18	21	37007	mounting kit	WHT 006 542 S1	
11	837634	silentblock for TCA	4M0 407 515 A	di:10.2 do:46.3	22	370075	set TCA + stab. link + tr	4M0 407 693 F S1	