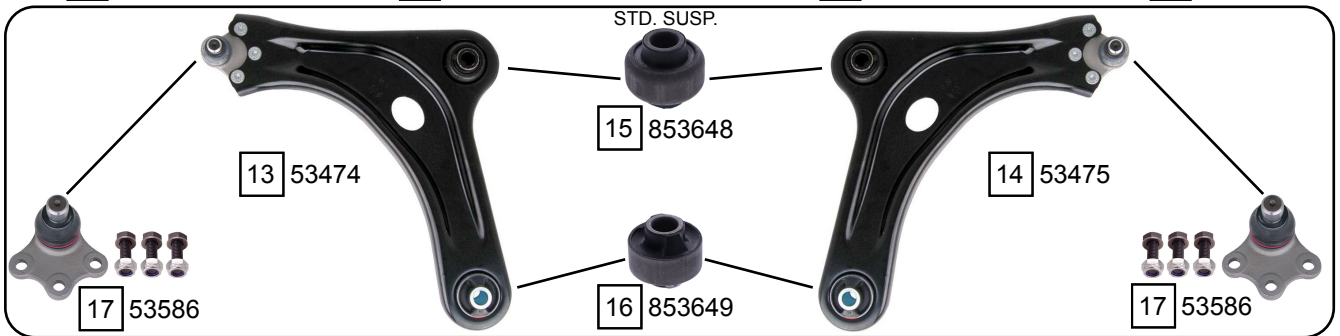
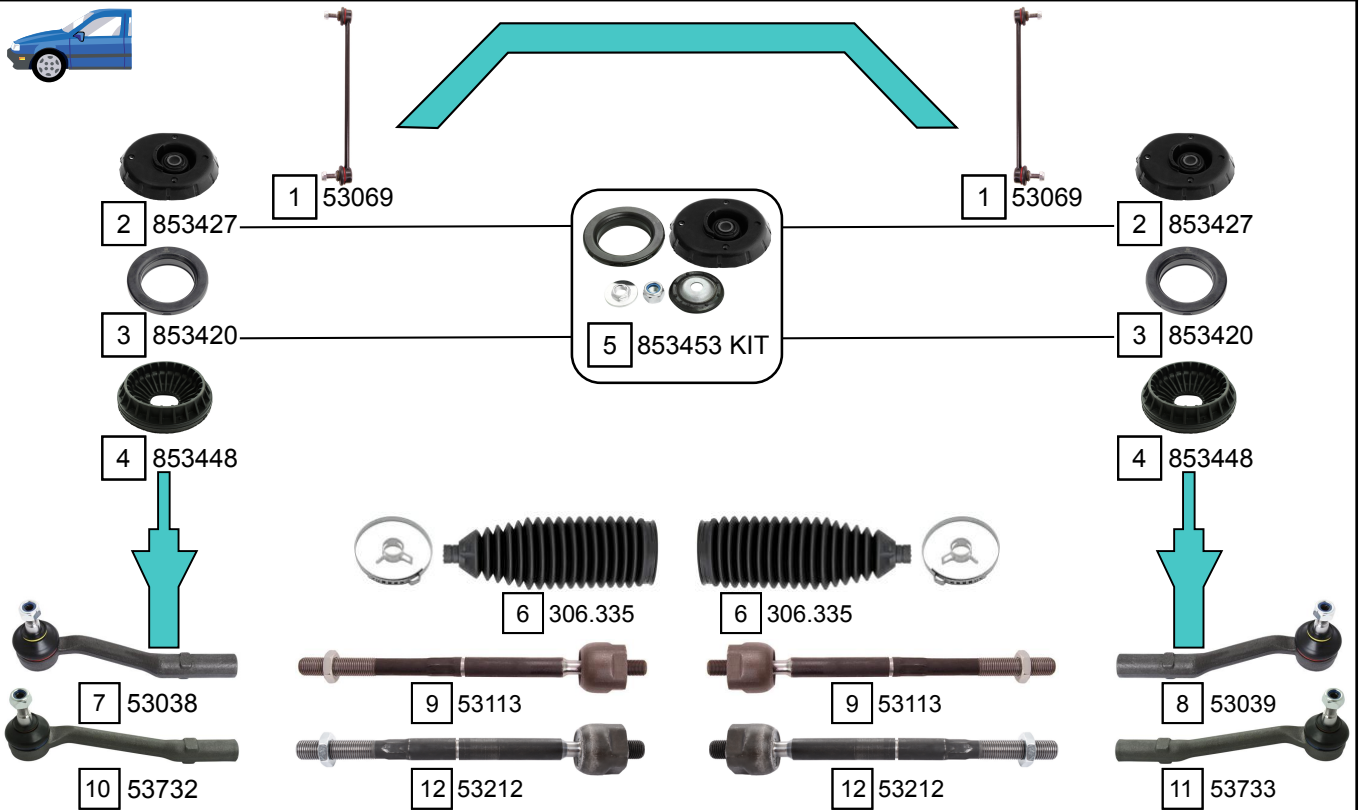


C3 II (A51)

11/2009 ->



Ref.	Sidem Ref.	description	OE-number	measures	Ref.	Sidem Ref.	description	OE-number	measures
1	53069	stabilizer link	5087 71	L:335	12	53212	axial joint	16 231 408 80	th:MM14X125R L:230
2	853427	strut mount	5038 G6	di:14.3 do:66.5 L:28.5	13	53474	TCA left wbj	3520 W8	c:18
3	853420	bearing	5035 27	di:65 do:99.5 L:20	14	53475	TCA right wbj	3521 T0	c:18
4	853448	strut mount	5033 C3	di:33 do:106 L:47	15	853648	silentblock for TCA	3523 EA	di:18 do:55.3
5	853453 KIT	strut mount kit	5038 G6 S1	di:14	16	853649	silentblock for TCA	3523 EE	di:18 do:55.3
6	306.335	steering rack gaiter	4066 97	D:53 d:13 L:192	17	53586	ball joint	3640 77	c:18
7	53038	tie rod end left	3817 92	c:12.2 th:FM14X1.5R	18	53876	TCA left wbj	98 032 865 80	c:18
8	53039	tie rod end right	3817 91	c:12.2 th:FM14X1.5R	19	53877	TCA right wbj	98 032 864 80	c:18
9	53113	axial joint	3812 F6	th:MM12x1R L:245	20	853654	silentblock for TCA	Part of	di:18 do:55.3
10	53732	tie rod end left	16 231 410 80	c:12.2 th:FM14X1.5R	21	807303	mounting axle body	5131 H4	di:12.2 do:72
11	53733	tie rod end right	16 231 411 80	c:12.2 th:FM14.X1.5R					