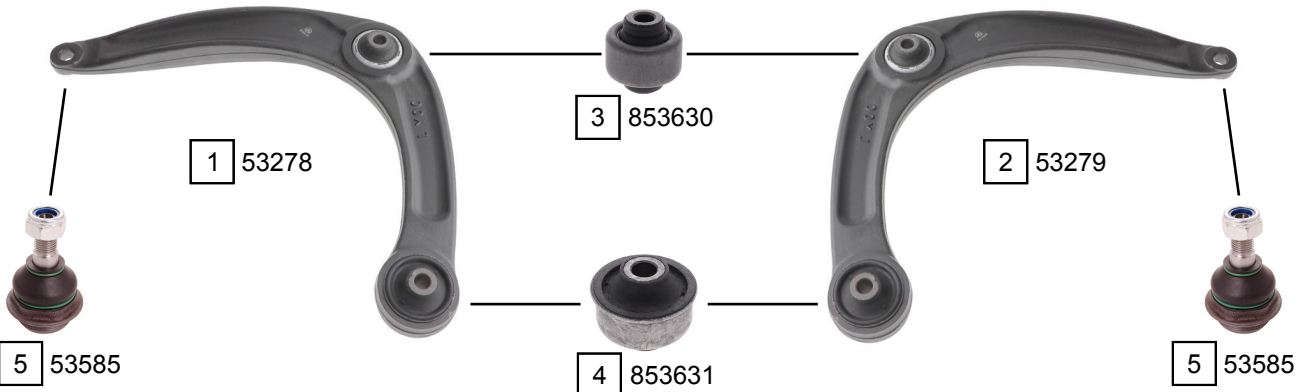
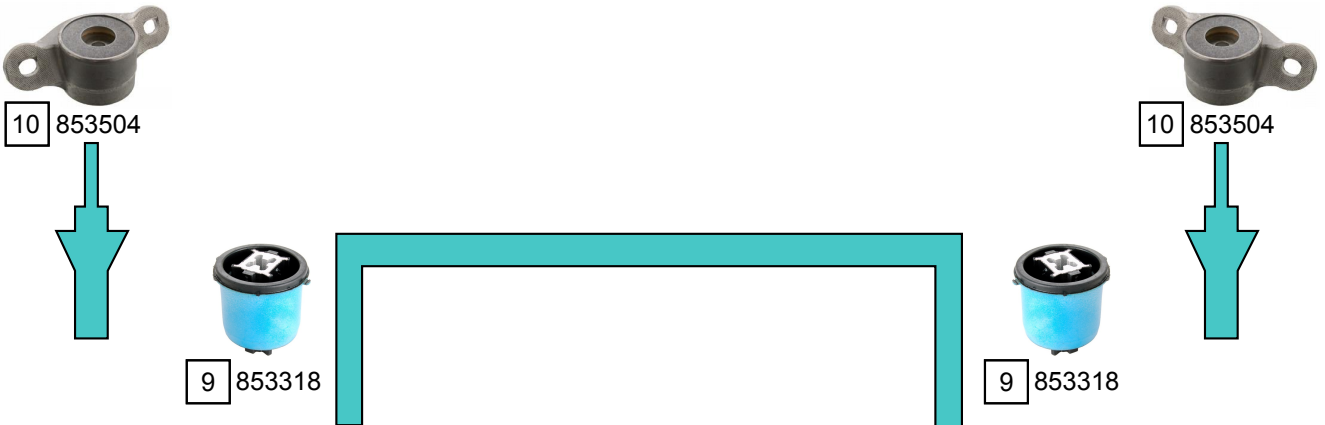
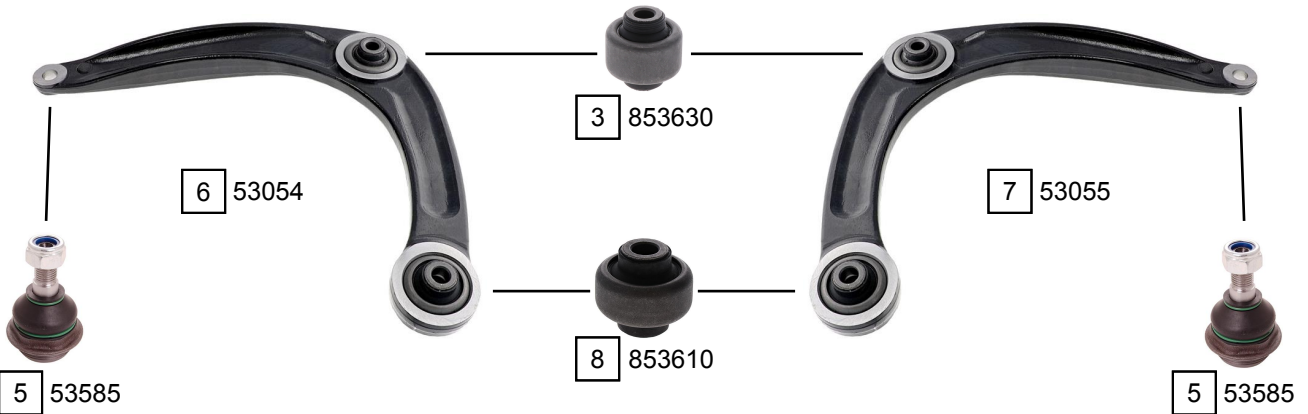


C4 II (B7)

11/2009 ->



OPR 13370 ->



Ref.	Sidem Ref.	Description	OE-number	Measures	Ref.	Sidem Ref.	Description	OE-number	Measures
1	53278	TCA left wobj	3520 V2	c:15.2	6	53054	TCA left wobj	98 056 074 80	c:15.2
2	53279	TCA right wobj	3521 R3	c:15.2	7	53055	TCA right wobj	98 056 073 80	c:15.2
3	853630	silentblock for TCA	3523 91	di:14.1 do:55.2	8	853610	silentblock for TCA	3523 76	di:14.2 do:55.3
4	853631	silentblock for TCA	3523 92	di:14.2 do:55.3	9	853318	mounting axle body	5131 G4	di:12.1 do:71
5	53585	ball joint	3640 68	c:15.7	10	853504	strut mount	5142 48	di:10.4 L:47