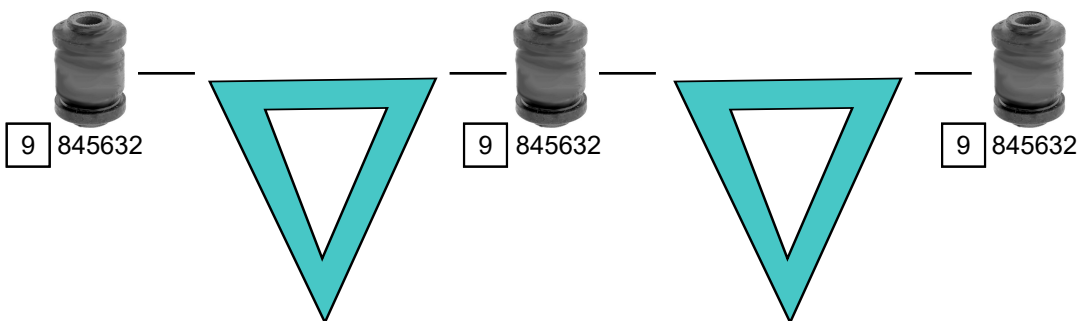
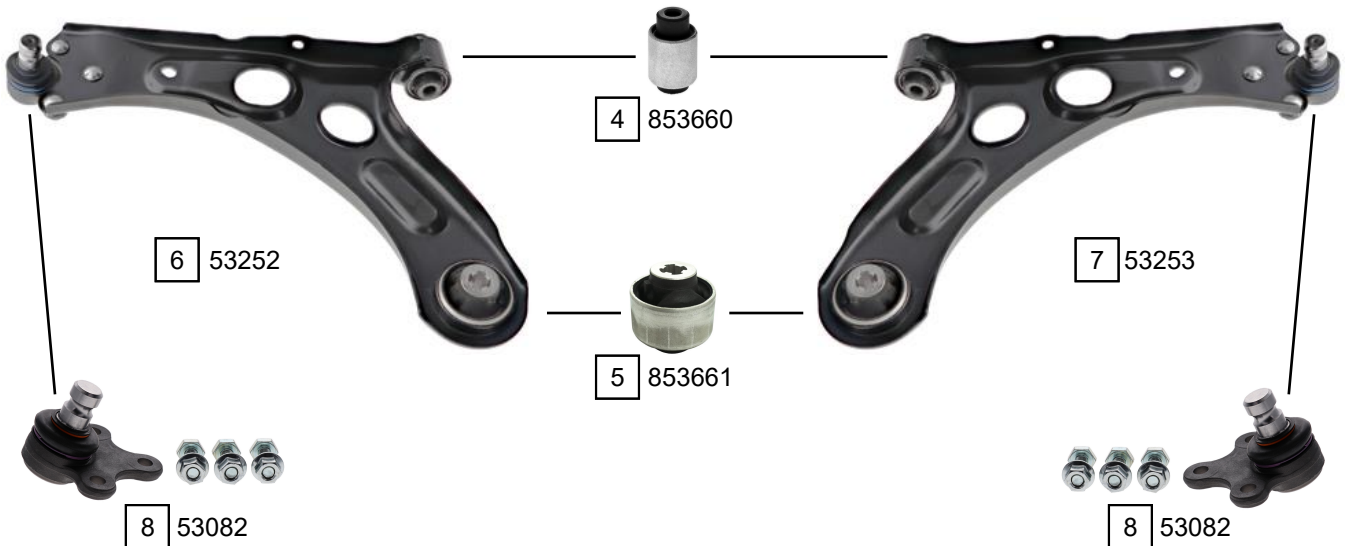


AMI (9A)

04/2020 ->



Ref.	Sidem Ref.	Description	OE-number	Measures	Ref.	Sidem Ref.	Description	OE-number	Measures
1	53736	tie rod end left	Part of	c:12.2 th:FM12X1.25R	6	53252	TCA left wbj	98 316 264 80	c:20
2	53737	tie rod end right	Part of	c:12.2 th:FM12X1.25R	7	53253	TCA right wbj	98 320 392 80	c:20
3	53310	axial joint	Part of	th:MM14X1.5R L:216	8	53082	ball joint	98 246 263 80	c:20
4	853660	silentblock for TCA	Part of	di:12.2 do:38	9	845632	silentblock for TCA	Part of	di:12.1 do:32.5
5	853661	silentblock for TCA	Part of	di:12.2 do:56					