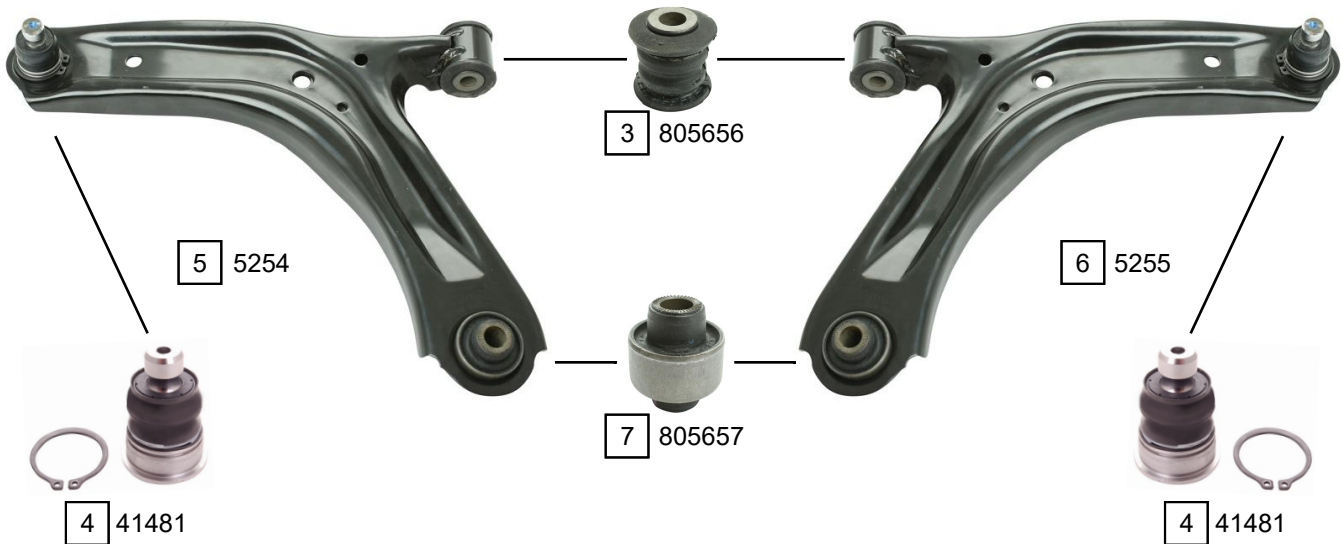


DACIA SPRING

SPRING EV

10/2020 ->



Ref.	Sidem Ref.	Description	OE-number	Measures	Ref.	Sidem Ref.	Description	OE-number	Measures
1	5032	tie rod end	82 01 728 694	c:12.6 th:MM12X1.25R	5	5254	TCA left wbj	54 50 324 28R	c:16
2	5212	axial joint	82 01 728 697	th:MM14X1.5R L:320	6	5255	TCA right wbj	55 50 131 87R	c:16
3	805656	silentblock for TCA	54 50 324 28R*	di:12.3 do:34.8	7	805657	silentblock for TCA	Part of	di:12.3 do:38.3
4	41481	ball joint	Part of	c:16 do:34.9	8	805300	mounting axle body	55 04 547 47R	di:12.3 do:55