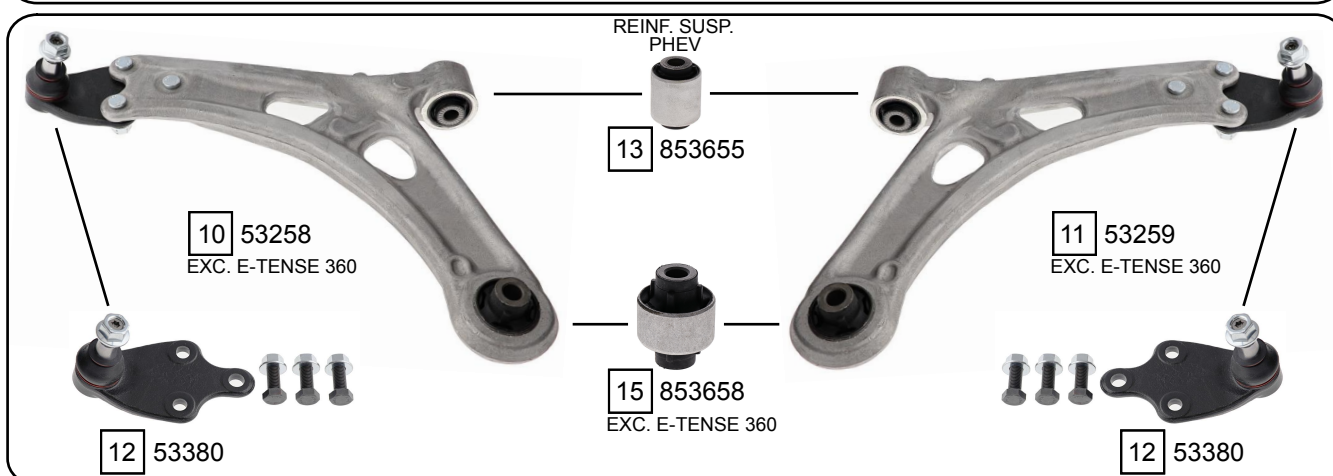
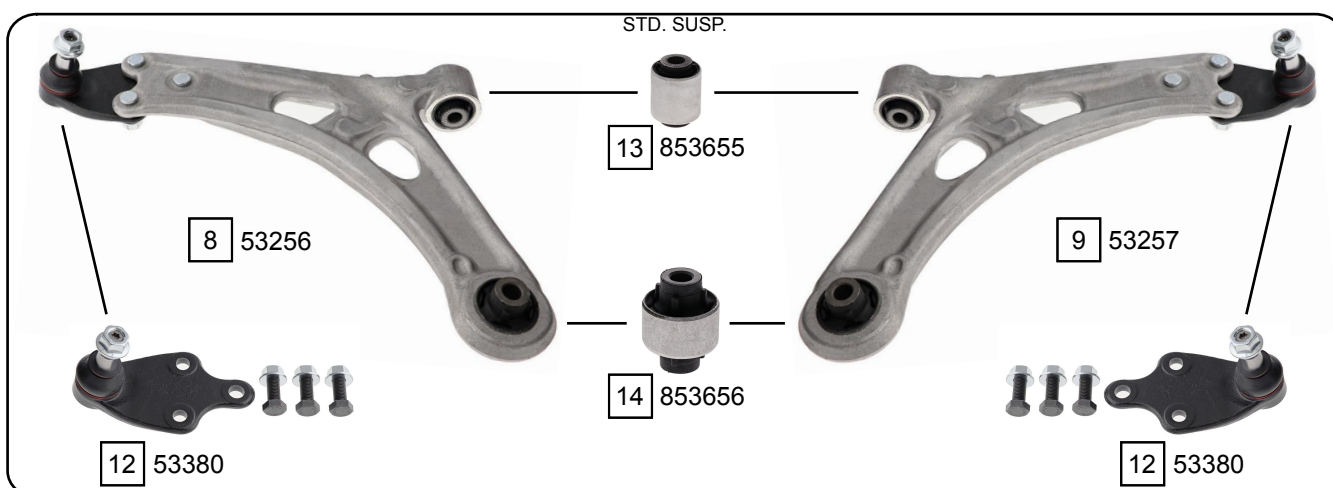
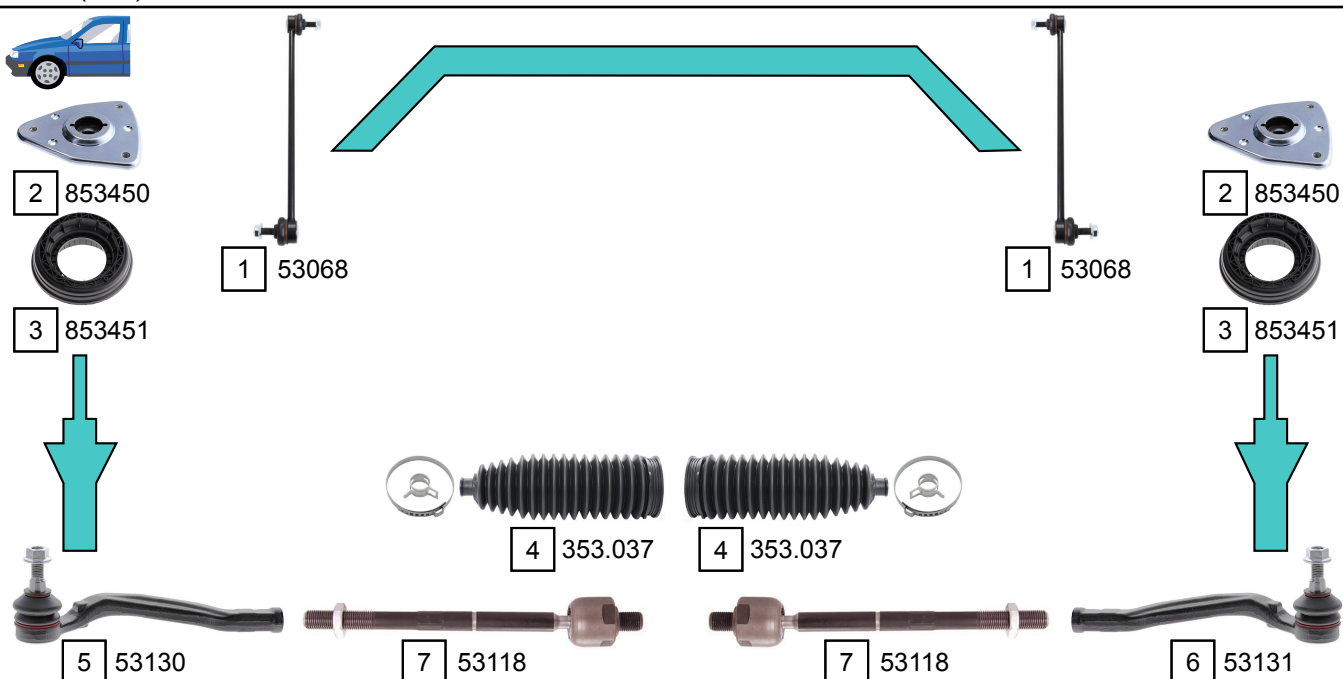


DS 7 CROSSBACK (X74)
DS 7 (X74)

09/2017 ->
09/2022 ->



Ref.	Sidem Ref.	Description	OE-number	Measures	Ref.	Sidem Ref.	Description	OE-number	Measures
1	53068	stabilizer link	98 442 647 80	L:335	9	53257	TCA right wbj	98 005 965 80 S3	c:16.6
2	853450	strut mount	98 004 797 80	di:16	10	53258	TCA left wbj	98 150 146 80 S2	c:16.6
3	853451	bearing	98 175 924 80	do:126	11	53259	TCA right wbj	98 150 143 80 S2	c:16.6
4	353.037	steering rack gaiter	16 108 175 80	D:51 d:12 L:186	12	53380	ball joint	98 153 962 80	c:16.6
5	53130	tie rod end left	16 372 806 80	c:14.5 th:FM14X1.5R	13	853655	silentblock for TCA	Part of	di:14.3 do:43.4
6	53131	tie rod end right	16 372 807 80	c:14.5 th:FM14X1.5R	14	853656	silentblock for TCA	96 760 352 80	di:14.1 do:50.3
7	53118	axial joint	16 108 176 80	th:MM14x1.5R L:225	15	853658	silentblock for TCA	Part of	di:14.2 do:50
8	53256	TCA left wbj	98 005 966 80 S3	c:16.6					