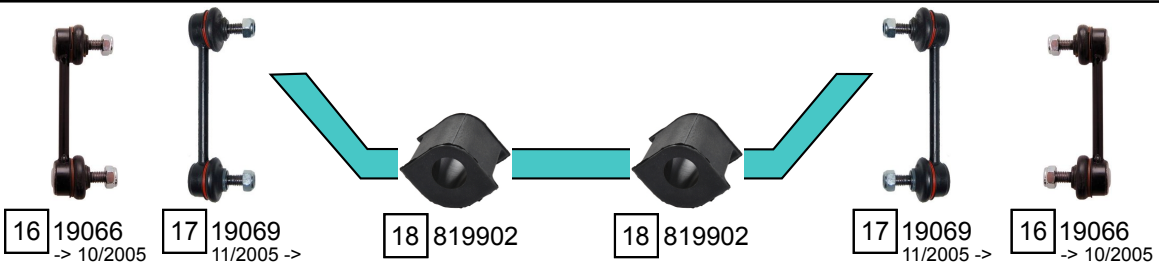
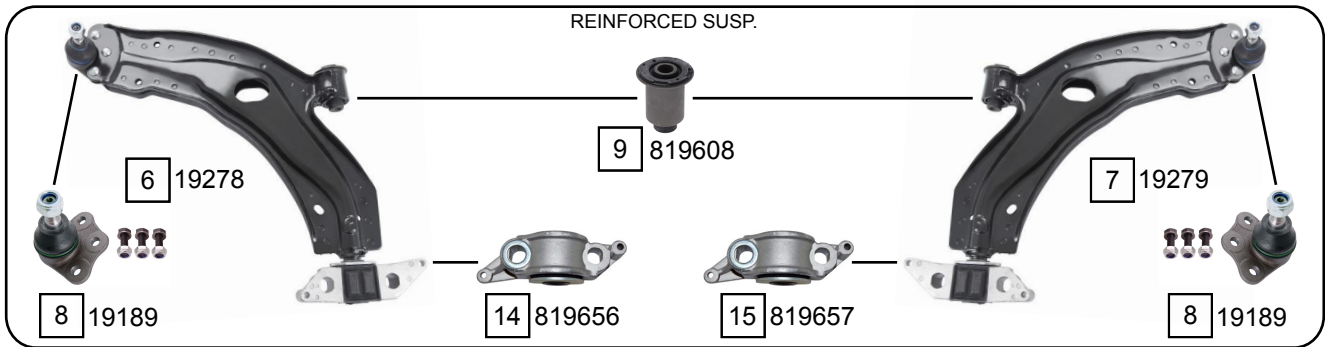
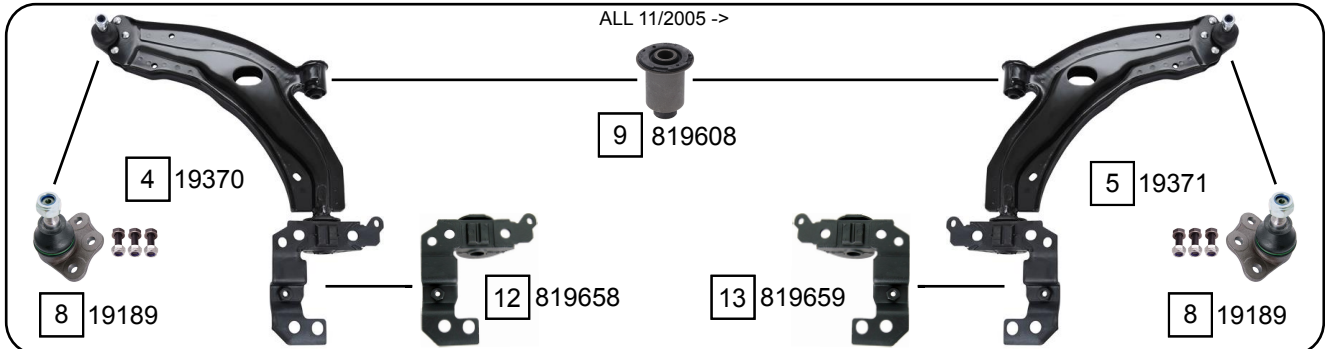
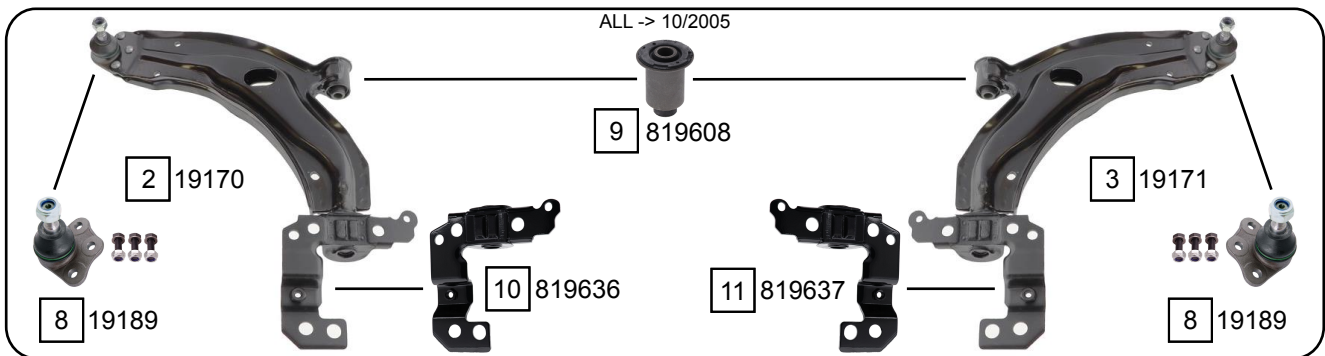
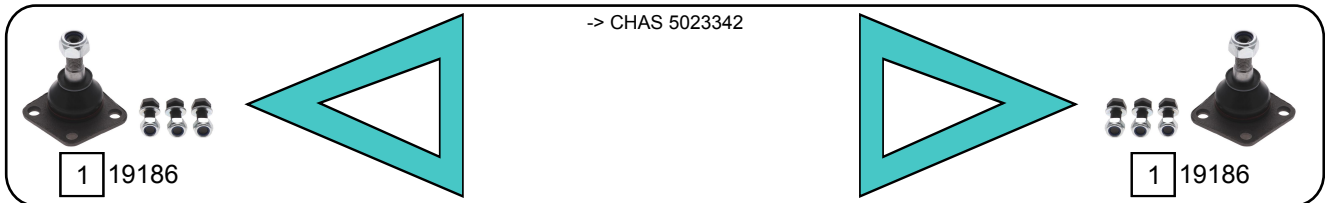


DOBLO (119)  
DOBLO CARGO (223)

03/2001 ->  
11/2000 ->



Ref.	Sidem Ref.	Description	OE-number	Measures	Ref.	Sidem Ref.	Description	OE-number	Measures
1	19186	ball joint	465 43 045	c:13.6	10	819636	silentblock for TCA left	Part of	di:20 do:20
2	19170	TCA left wbj	517 47 324	c:14	11	819637	silentblock for TCA right	Part of	di:20 do:20
3	19171	TCA right wbj	467 94 065	c:14	12	819658	silentblock for TCA	Part of	di:19.7
4	19370	TCA left wbj	517 72 992	c:13.7	13	819659	silentblock for TCA	Part of	di:19.7
5	19371	TCA right wbj	517 72 988	c:13.7	14	819656	silentblock for TCA	Part of	di:19.7 do:19.7
6	19278	TCA left wbj	517 69 076	c:13.6	15	819657	silentblock for TCA	Part of	di:19.7 do:19.7
7	19279	TCA right wbj	517 27 863	c:13.6	16	19066	stabilizer link rear axle	517 17 000	L:118
8	19189	ball joint	468 42 581	c:13.6	17	19069	stabilizer link rear axle	517 17 001	L:132
9	819608	silentblock for TCA	Part of	di:30 do:12	18	819902	stabilizer mounting	Part of	di:19.1