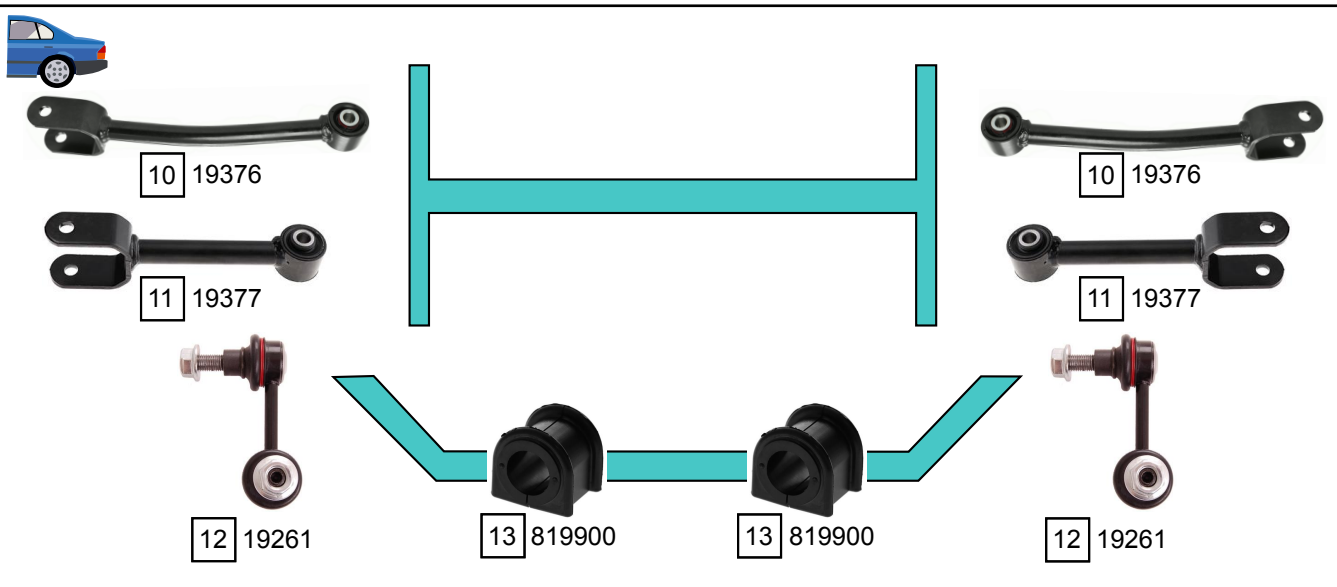
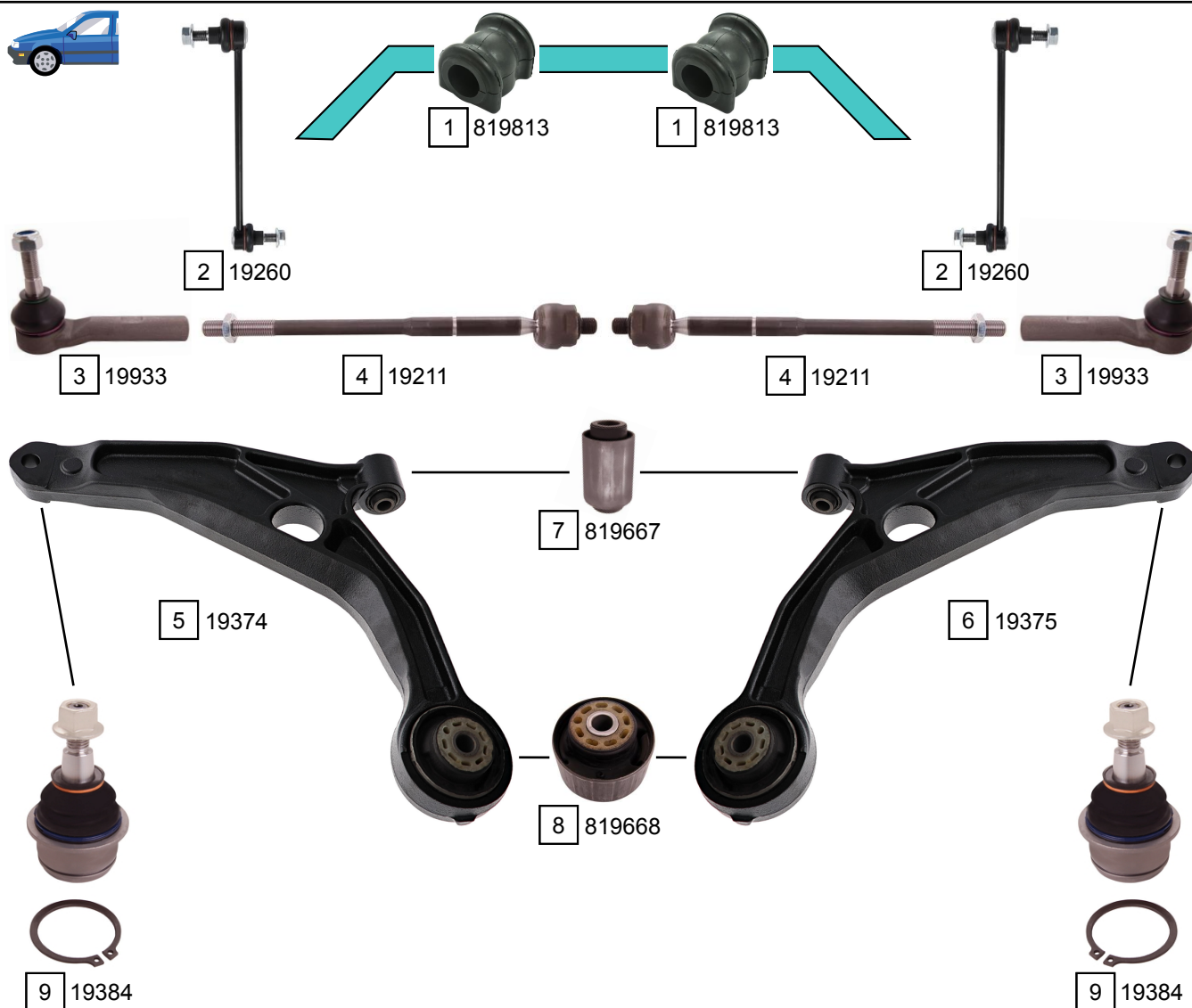


FREEMONT (JC)

08/2011 - 12/2015



Ref.	Sidem Ref.	Description	OE-number	Measures	Ref.	Sidem Ref.	Description	OE-number	Measures
1	819813	stabilizer mounting	K04721 918AF	di:27	8	819668	silentblock for TCA	Part of	di:14.1 do:77
2	19260	stabilizer link	K04766 962AA	L:265	9	19384	ball joint	K05090 033AB	c:15.3 do:44.5
3	19933	tie rod end	K05183 761AD	c:12.5 th:FM14X1.5R	10	19376	track rod	K68079 539AE	L:306
4	19211	axial joint	K68040 223AE	th:MM14X1.5R L:314	11	19377	track rod	K68079 540AE	L:207
5	19374	TCA left wobj	K04766 423AD	c:15	12	19261	stabilizer link	K68052 655AA	L:80
6	19375	TCA right wobj	K04766 424AD	c:15	13	819900	stabilizer mounting	K05151 206AC	di:23.5
7	819667	silentblock for TCA	Part of	di:14.1 do:34.8					