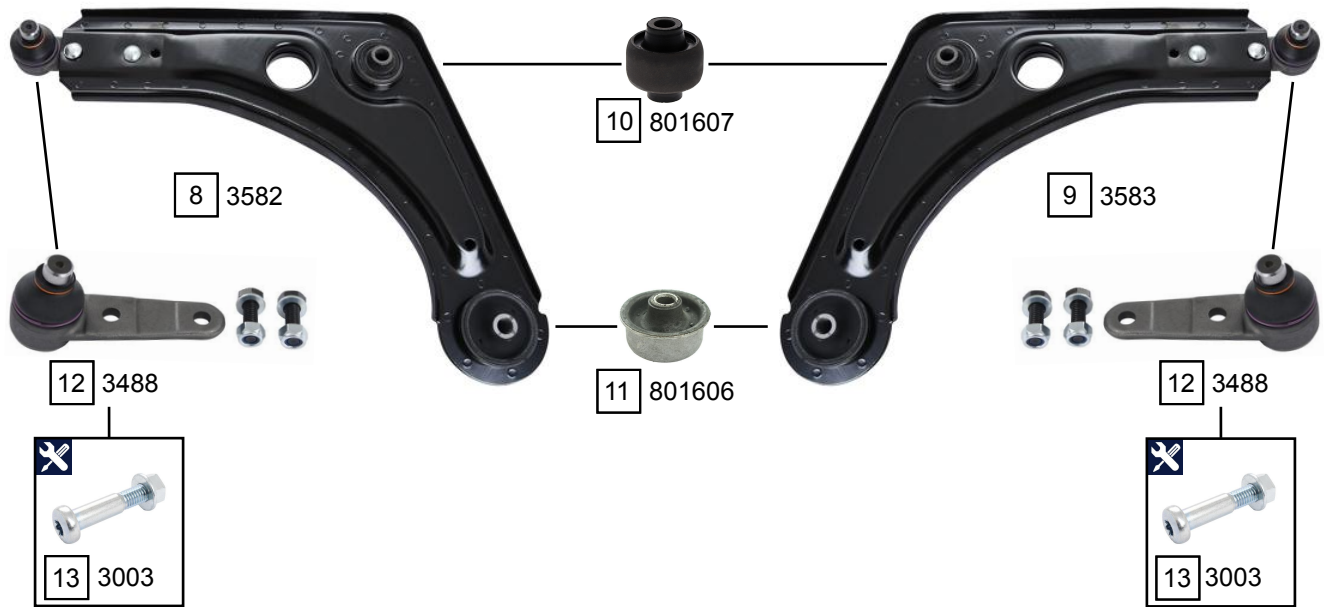
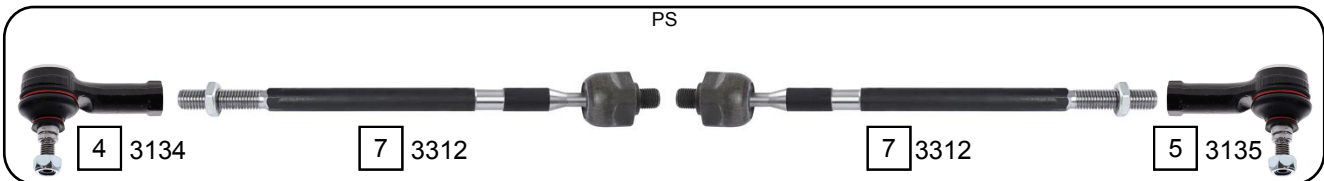
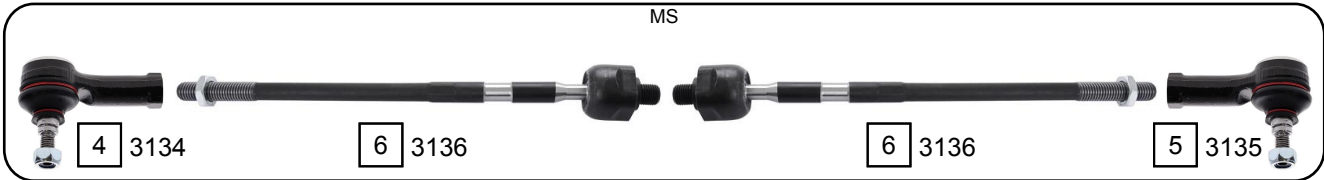
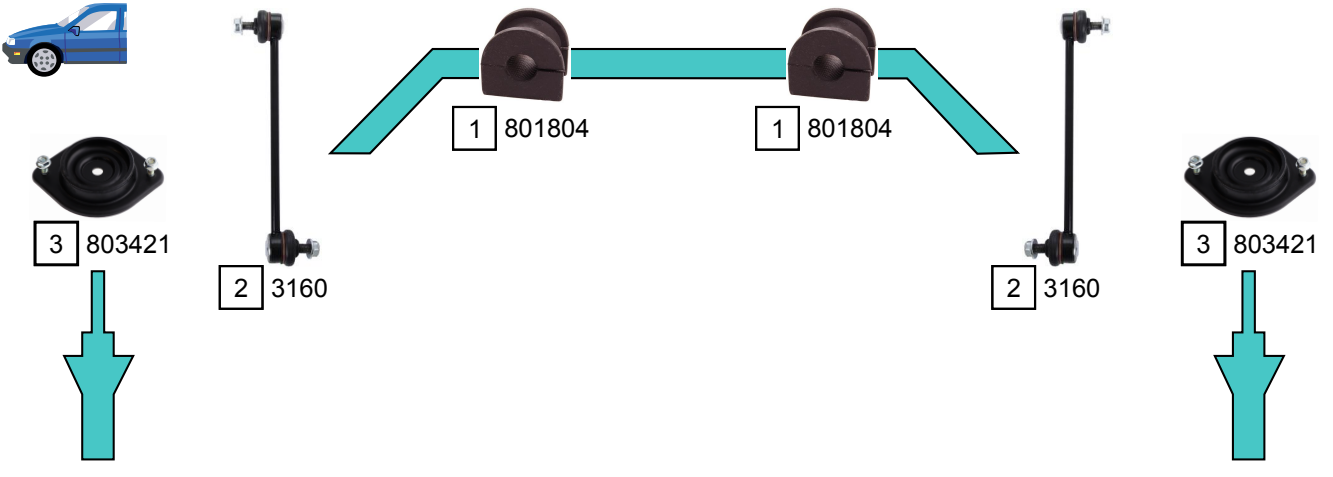


ORION III (GAL)

09/1990 - 08/1993



Ref.	Sidem Ref.	Description	OE-number	Measures	Ref.	Sidem Ref.	Description	OE-number	Measures
1	801804	stabilizer mounting	6 185 809	di:15	8	3582	TCA left wbj	1 058 280	c:17
2	3160	stabilizer link	1 130 273	L:238	9	3583	TCA right wbj	1 058 279	c:17
3	803421	strut mount	6 495 311	di:12.5 do:121 L:36.6	10	801607	silentblock for TCA	1 000 445	di:12.2 do:46
4	3134	tie rod end left	1 015 547	c:13.3 th:FM14X2R	11	801606	silentblock for TCA	1 035 929	di:12.1 do:54
5	3135	tie rod end right	1 015 546	c:13.3 th:FM14X2R	12	3488	ball joint	1 047 853	c:17
6	3136	axial joint	1 024 130	th:MM14X1.5R L:322	13	3003	mounting kit	6 080 625 S1	th:M10x1.5R L:58
7	3312	axial joint	6 197 238	th:MM14X1.5R L:308					