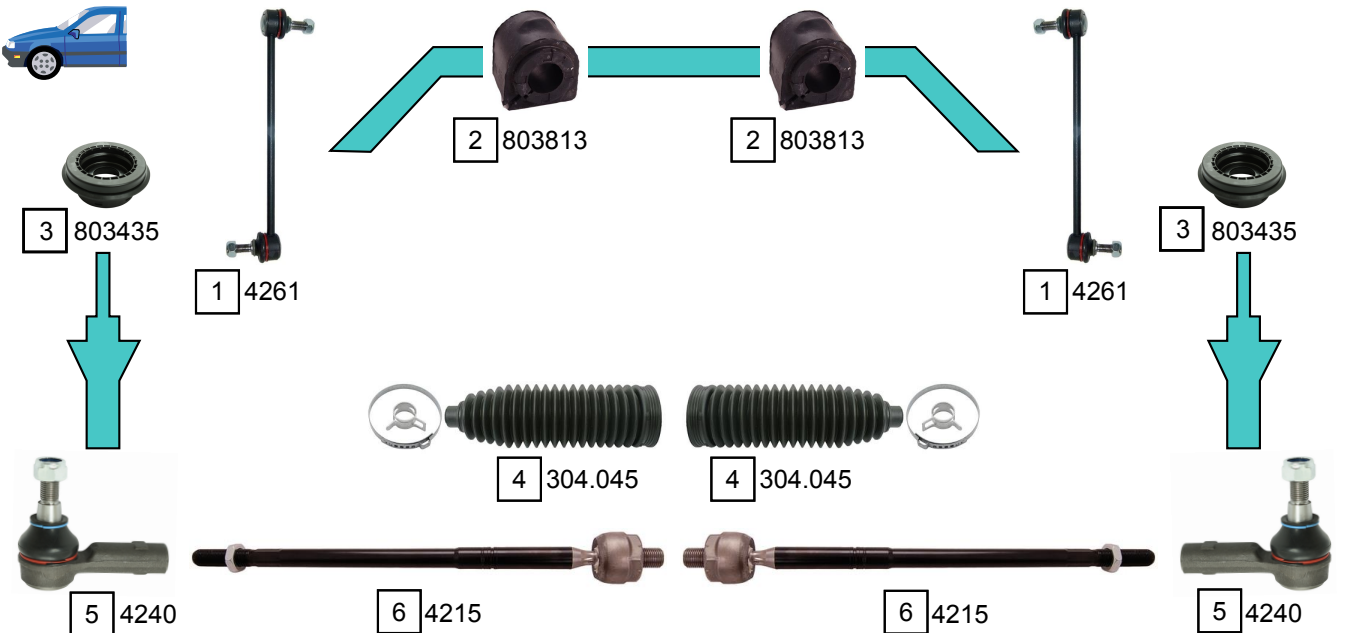
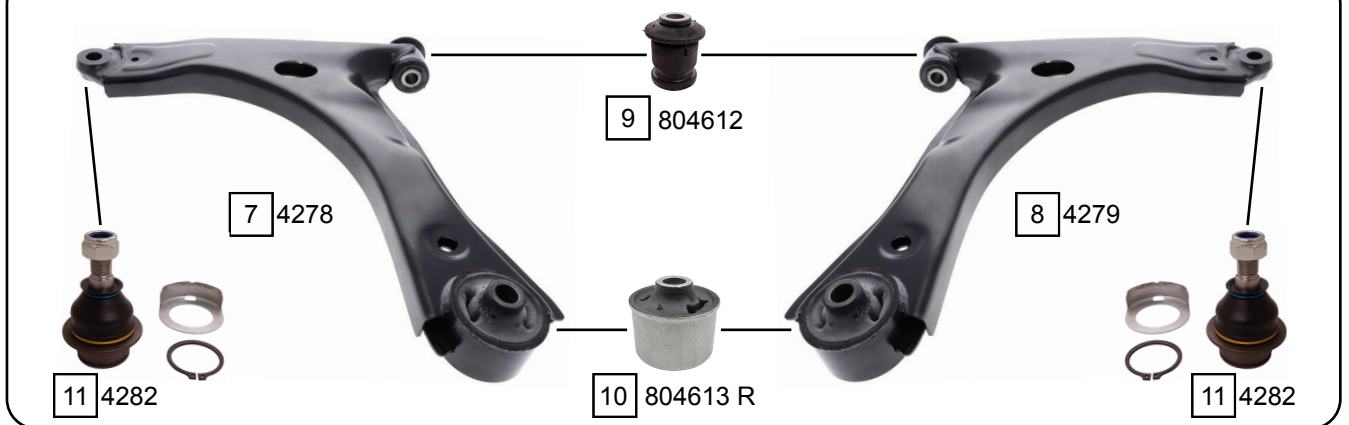


TRANSIT 2T (TTG)

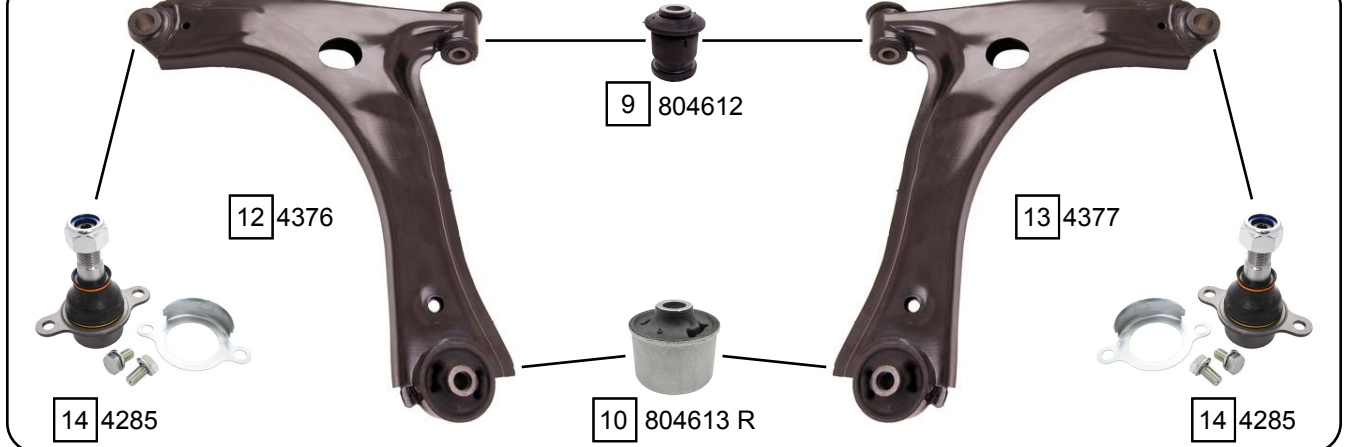
05/2014 - 05/2019



STANDARD SUSPENSION



REINFORCED SUSPENSION



Ref.	Sidem Ref.	Description	OE-number	Measures	Ref.	Sidem Ref.	Description	OE-number	Measures
1	4261	stabilizer link	2 033 148	L:290	8	4279	TCA right wobj	1 877 332	c:17
2	803813	stabilizer mounting	1 683 481	di:23.5	9	804612	silentblock for TCA	Part of	di:16.1 do:43.5
3	803435	bearing	1 815 863	do:120.8 L:47.2	10	804613 R	silentblock for TCA	Part of	di:16.1 do:66.3
4	304.045	steering rack gaiter	1 763 990	D:55 d:17 L:194	11	4282	ball joint	1 817 752	c:18.2 do:44.5
5	4240	tie rod end	1 743 642	c:16.8 th:FM16X1.5R	12	4376	TCA left wobj	2 529 843	c:20.7
6	4215	axial joint	Part of	th:MM16X1.5R L:381	13	4377	TCA right wobj	1 903 526	c:20.7
7	4278	TCA left wobj	1 877 334	c:17	14	4285	ball joint	2 207 775	c:21.7