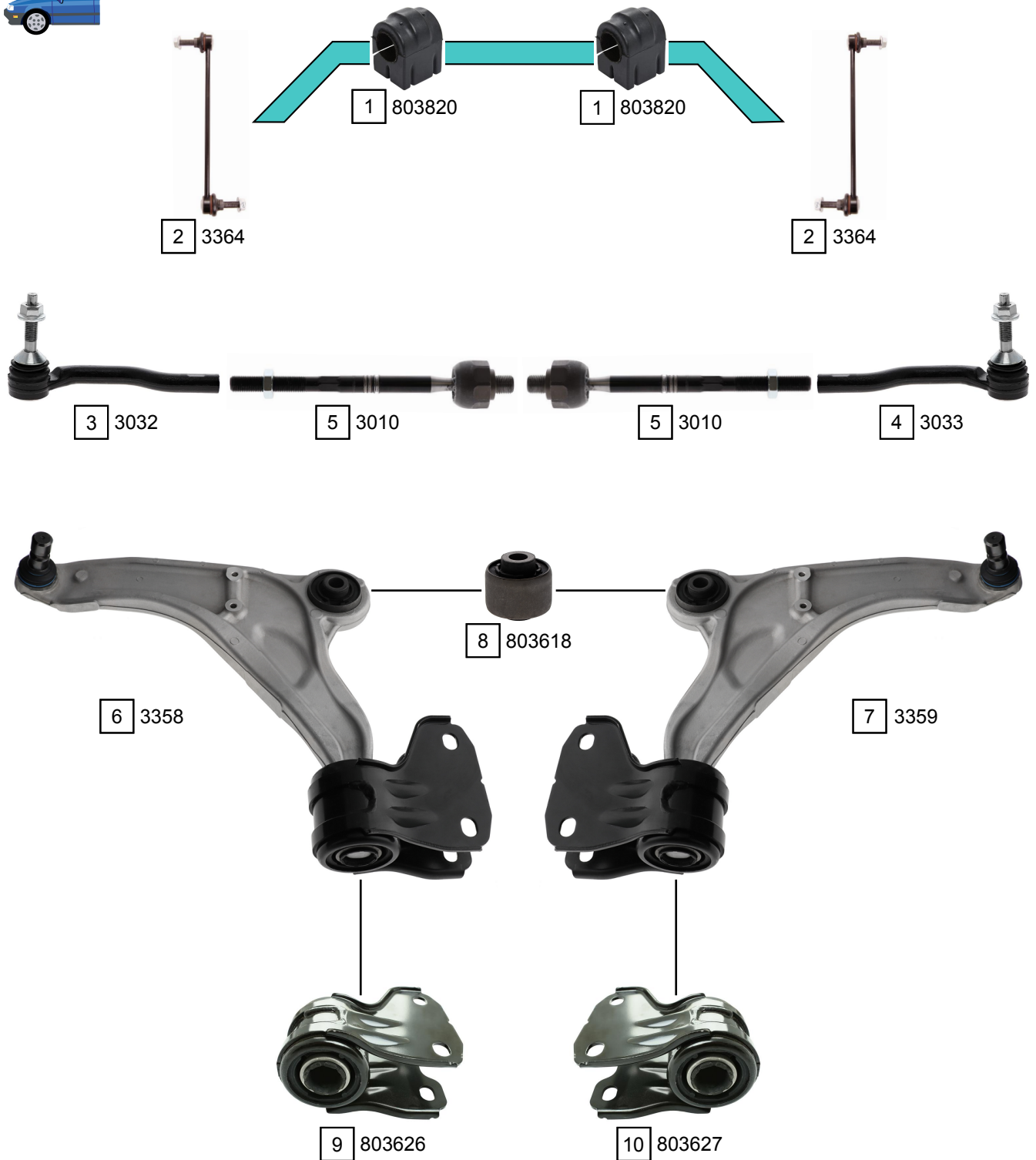


EDGE (CDQ)

08/2015 - 05/2024



Ref.	Sidem Ref.	Description	OE-number	Measures	Ref.	Sidem Ref.	Description	OE-number	Measures
1	803820	stabilizer mounting	5 311 504	di:25.5	6	3358	TCA left wbj	2 307 934	c:24
2	3364	stabilizer link	5 182 780	L:299	7	3359	TCA right wbj	2 307 932	c:24
3	3032	tie rod end left	5 310 659	c:13.8 th:FM16X1.5R	8	803618	silentblock for TCA	Part of	di:18.2 do:66
4	3033	tie rod end right	5 310 658	c:13.8 th:FM16X1.5R	9	803626	silentblock for TCA left	Part of	di:22
5	3010	axial joint	5 178 931	th:MM16X1.5R L:216	10	803627	silentblock for TCA right	Part of	di:22