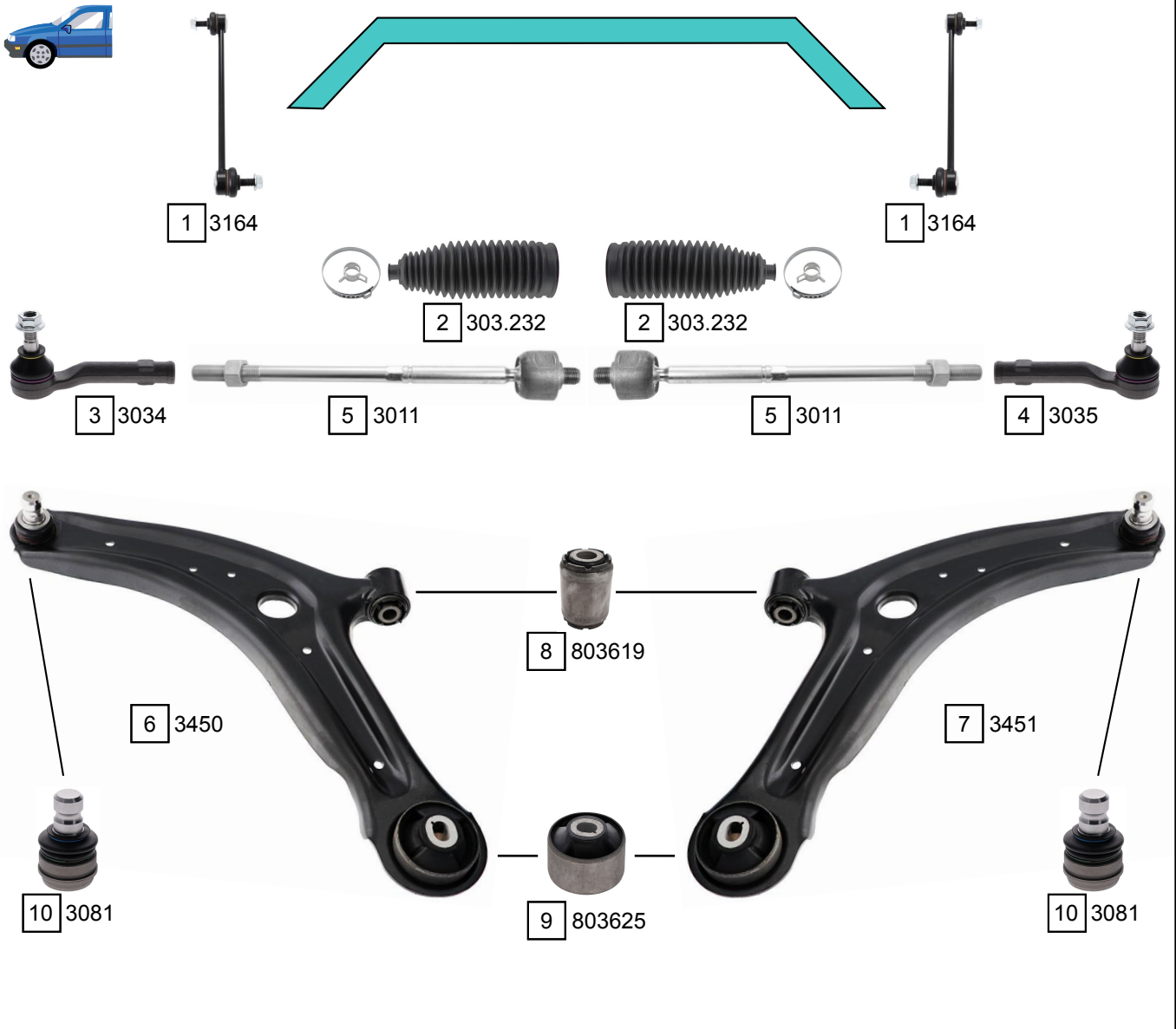


PUMA (CF7)

09/2019 ->



Ref.	Sidem Ref.	Description	OE-number	Measures	Ref.	Sidem Ref.	Description	OE-number	Measures
1	3164	stabilizer link	1 790 310	L:252	7	3451	TCA right wbj	2 422 614	c:21
2	303.232	steering rack gaiter	2 413 082	D:55 d:12 L:180	8	803619	silentblock for TCA	Part of	di:14.2 do:38
3	3034	tie rod end left	2 413 063	c:12.6 th:FM14X1.5R	9	803625	silentblock for TCA	Part of	di:12.4 do:61
4	3035	tie rod end right	2 413 061	c:12.6 th:FM14X1.5R	10	3081	ball joint	Part of	c:21 do:40
5	3011	axial joint	2 415 168	th:MM14X1.5R L:294	11	803321	mounting axle body	2 167 812	di:16.3 do:81
6	3450	TCA left wbj	2 422 615	c:21					