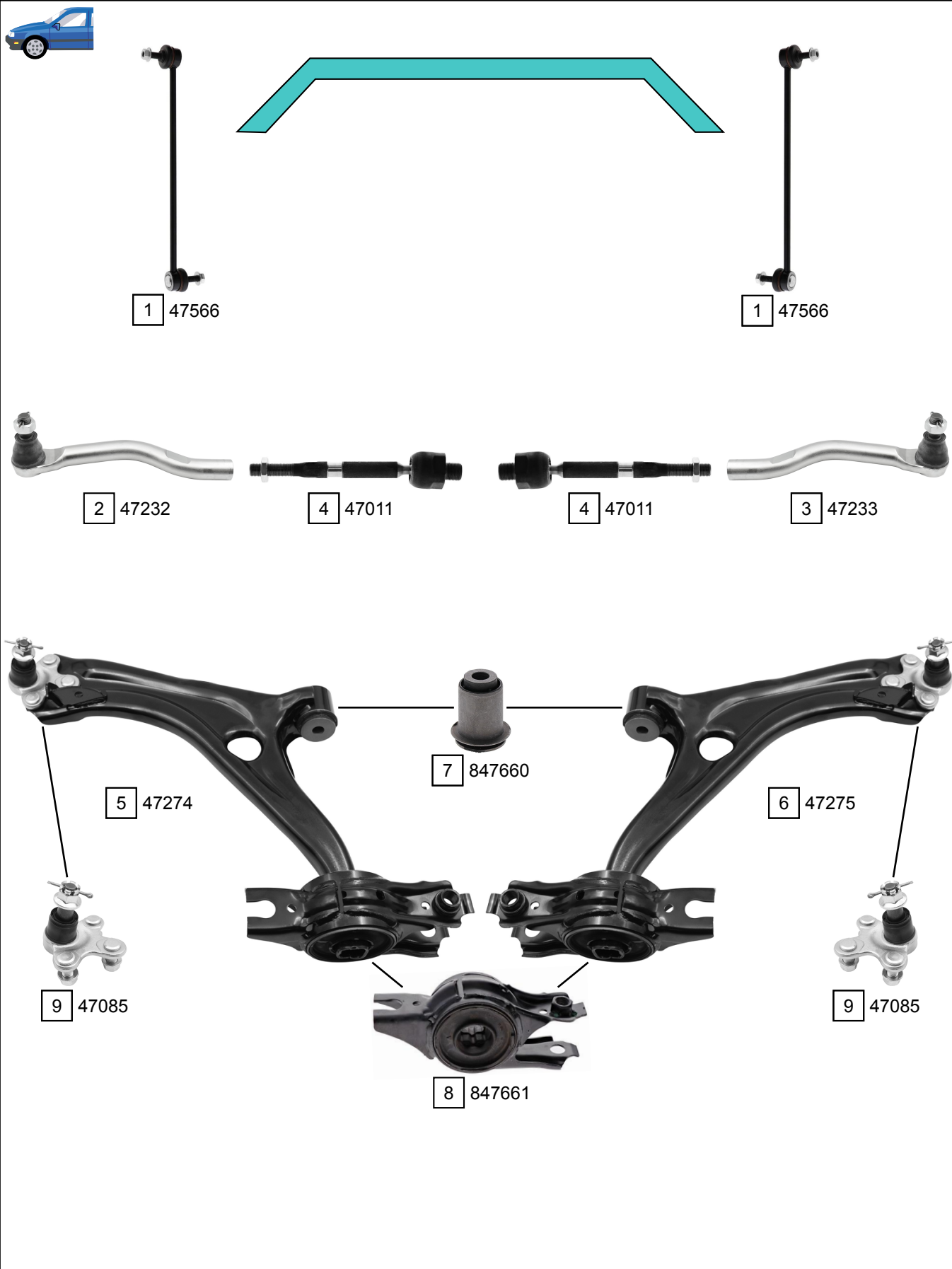


CIVIC XI (FL)

06/2021 ->



Ref.	Sidem Ref.	Description	OE-number	Measures	Ref.	Sidem Ref.	Description	OE-number	Measures
1	47566	stabilizer link	51320 TBA A02	L:345	6	47275	track control arm right wbj	51350 T50 J10	c:15.6
2	47232	tie rod end left	53560 T20 A02	c:14.3 th:FM14X1.5R	7	847660	silentblock for TCA	Part of	di:14.2 do:37
3	47233	tie rod end right	53540 T20 A02	c:14.3 th:FM14X1.5R	8	847661	silentblock for TCA	51395 TBA A00	di:28 do:85.1
4	47011	axial joint	53521 TEA A51	th:MM18X1.5R L:196	9	47085	ball joint	51220 T50 J01	c:15.6
5	47274	track control arm left wbj	51360 T50 J10	c:15.6					