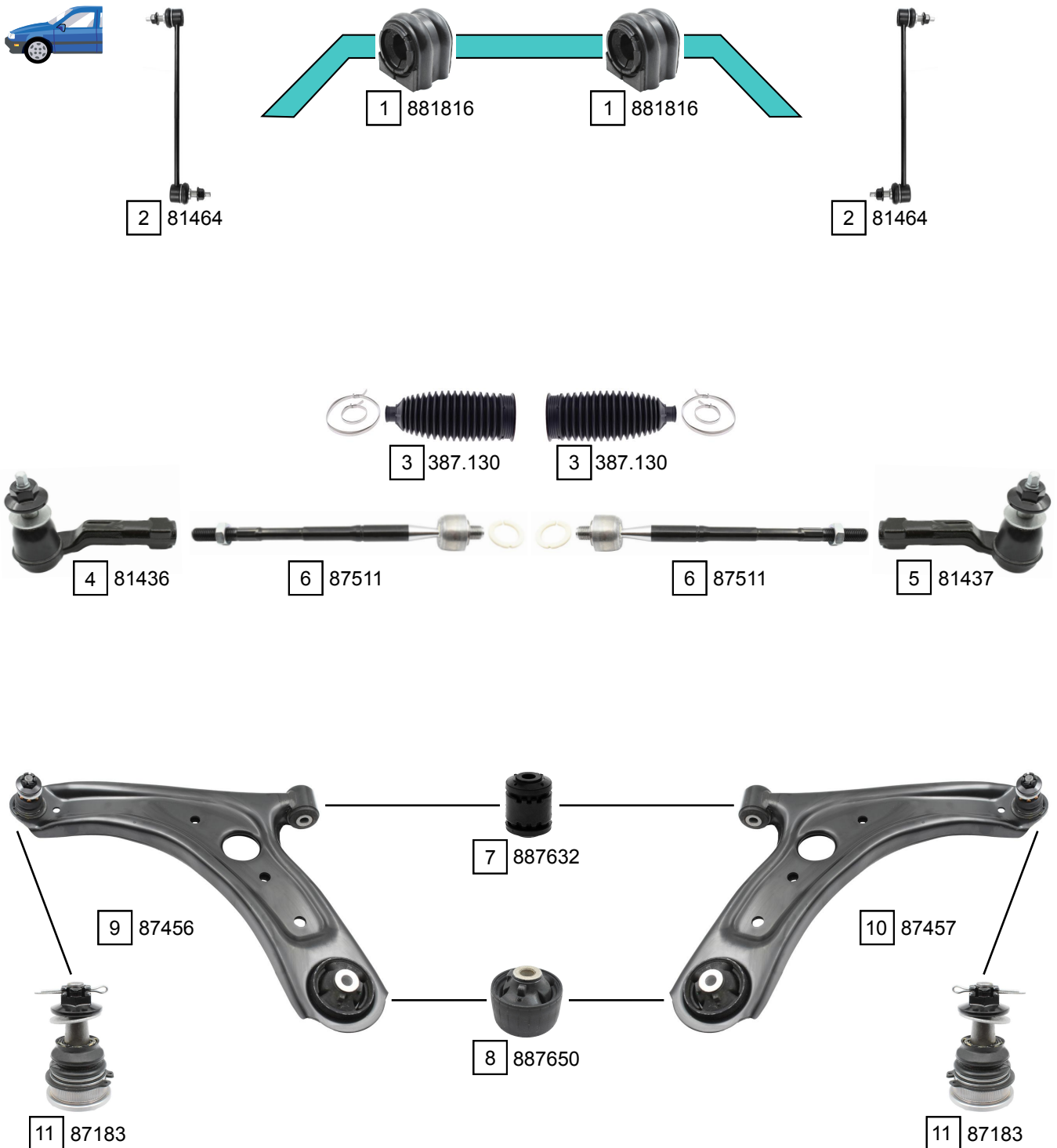


KONA (SX2)
KONA ELECTRIC (SX2)

04/2023 ->
07/2023 ->



Ref.	Sidem Ref.	Description	OE-number	Measures	Ref.	Sidem Ref.	Description	OE-number	Measures
1	881816	stabiliser mounting	54813 AA100	di:20.5	7	887632	silentblock for TCA	54551 3X000	di:12.2 do
2	81464	stabiliser link	54830 AA000	L:315	8	887650	silentblock for TCA	54584 AAAA0	di:12.4 do
3	387.130	steering rack gaiter	57740 F2000	D:53 d:17	9	87456	track control arm left wbj	54500 BE000	c:14.2 L:
4	81436	tie rod end left	56820 BE000	c:12.4 th:	10	87457	track control arm right wbj	54501 BE000	c:14.2 L:
5	81437	tie rod end right	56825 BE000	c:12.4 th:	11	87183	ball joint	54530 BE000	c:14.2 do:
6	87511	axial joint	56540 BE000	th:MM16X1.					