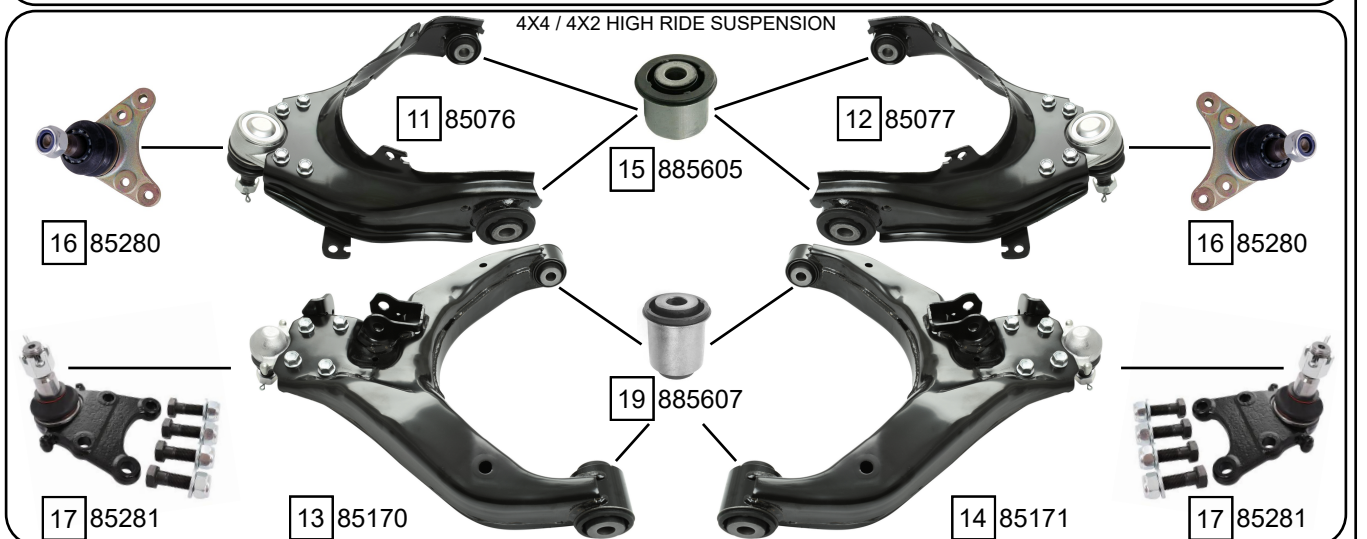
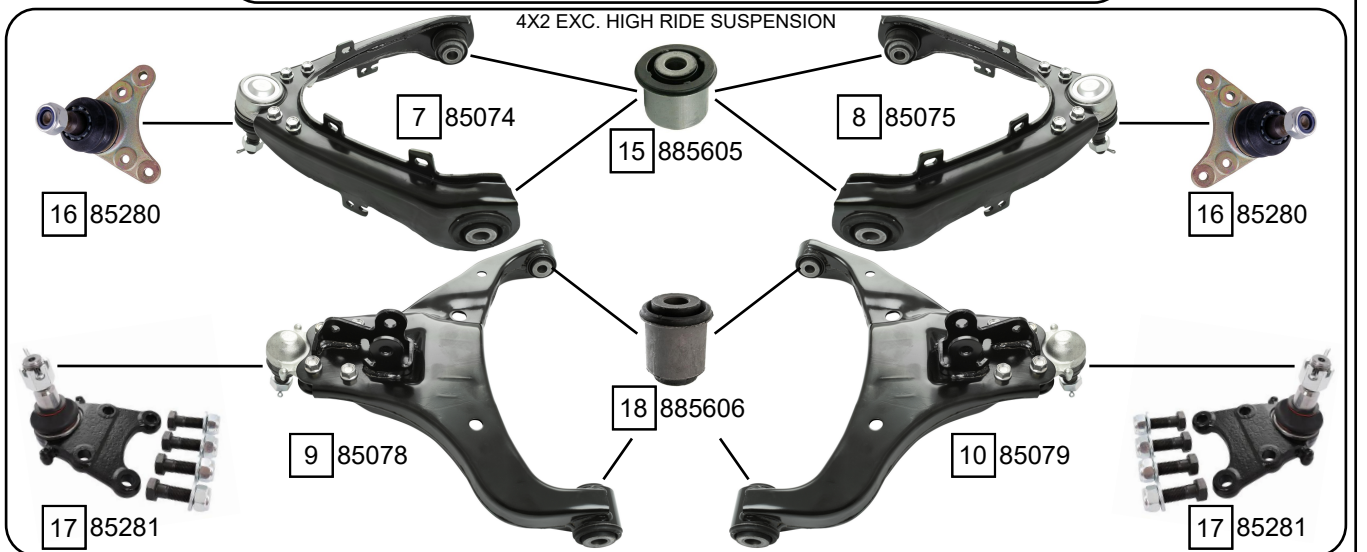
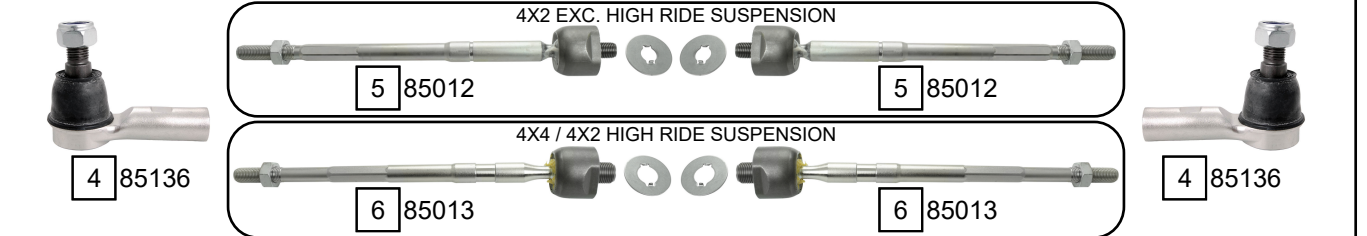


D-MAX II

06/2012 ->



Ref.	Sidem Ref.	Description	OE-number	Measures	Ref.	Sidem Ref.	Description	OE-number	Measures
1	85060	stabiliser link left	8 97944 569 0	L:155	11	85076	TCA left wbj	8 97945842 2	c:14.3
2	85061	stabiliser link right	8 97944 568 0	L:155	12	85077	TCA right wbj	8 97945841 2	c:14.3
3	85062	stabiliser link	8 97944 575 0	L:115	13	85170	TCA left wbj	8 97945844 1	c:20.6
4	85136	tie rod end	8 98055 746 0	c:16.2 th:FM14X1.5R	14	85171	TCA right wbj	8 97945843 1	c:20.6
5	85012	axial joint	8 98165055 0	th:MM14X1.5R L:325	15	885605	silentblock for TCA	8 97947419 0	di:14.3 do:43
6	85013	axial joint	8 98164967 0	th:MM18X1.5R L:320	16	85280	ball joint upper	8 98005 827 0	c:17.5
7	85074	TCA left wbj	8 98212476 0	c:17.5	17	85281	ball joint lower	8 98005 875 0	c:20.6
8	85075	TCA right wbj	8 98121475 0	c:17.5	18	885606	silentblock for TCA	8 97364174 0	di:16.2 do:42
9	85078	TCA left wbj	8 98162165 0	c:20.6	19	885607	silentblock for TCA	8 97947087 1	di:16.2 do:47.5
10	85079	TCA right wbj	8 98162164 0	c:20.6					