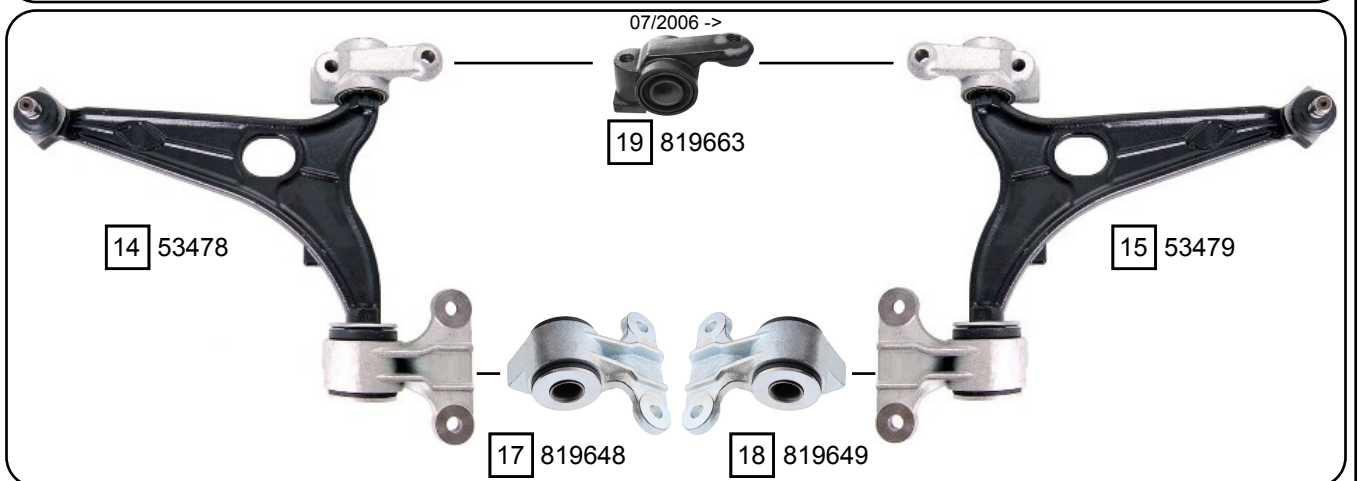
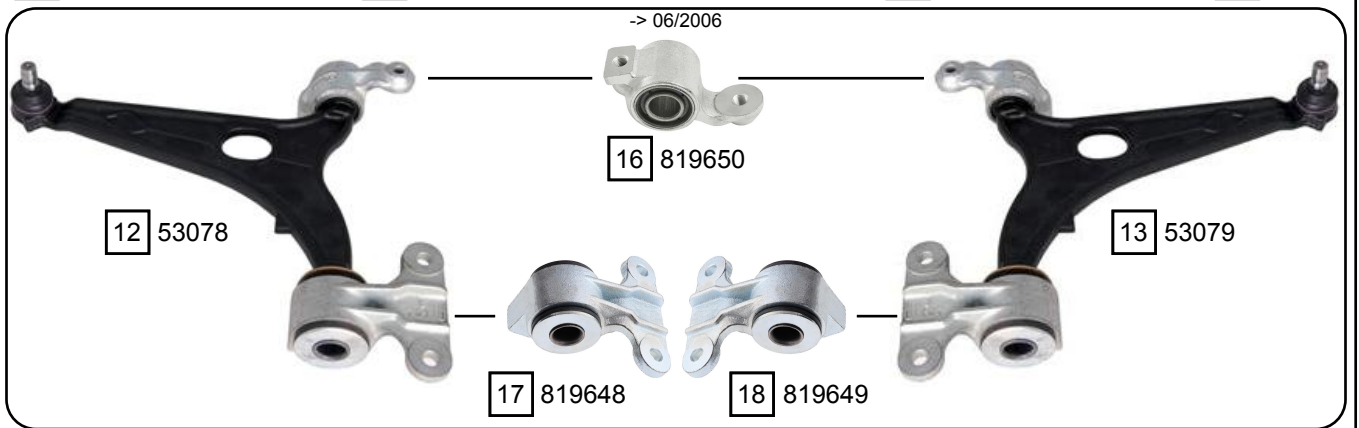
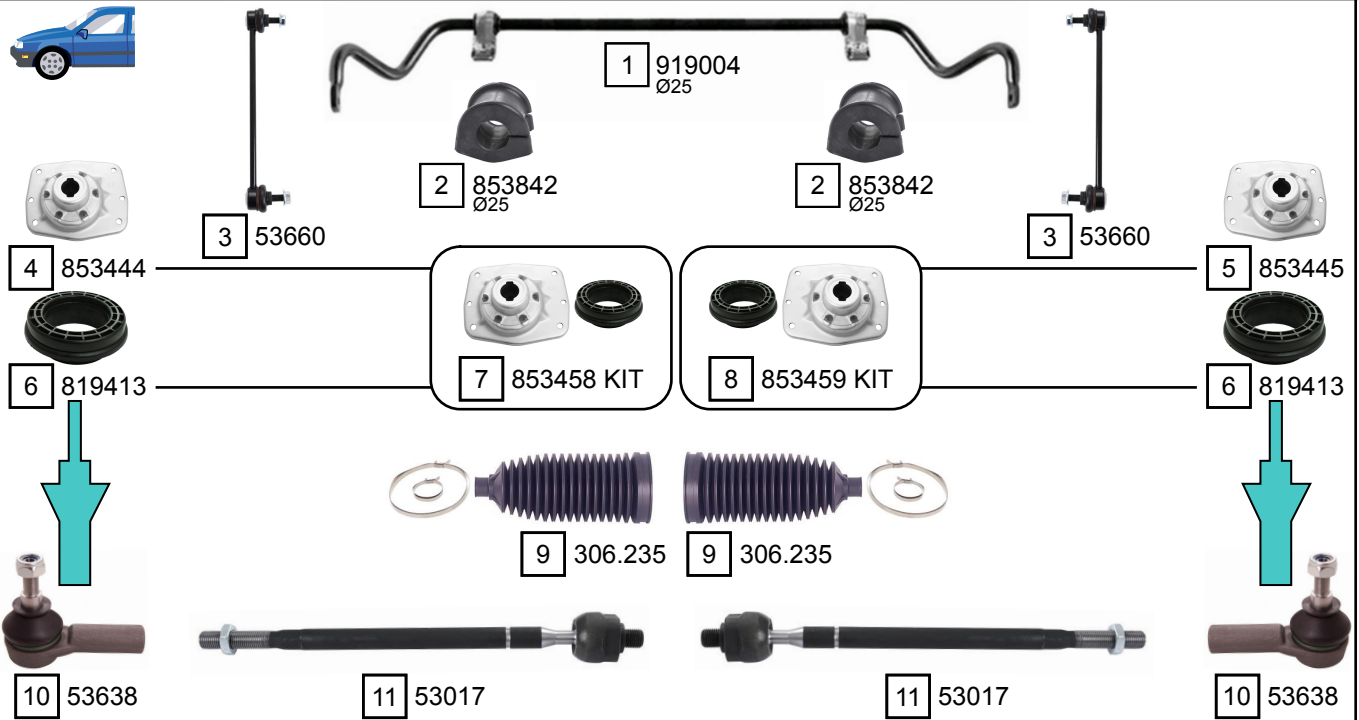


PHEDRA (179)

09/2002 - 11/2010



Ref.	Sidem Ref.	Description	OE-number	Measures	Ref.	Sidem Ref.	Description	OE-number	Measures
1	919004	stabilizer bar	149 06 91 080	do:25 L:1140	11	53017	axial joint	773 62 280	th:MM14x1.5R L:315
2	853842	stabilizer mounting	Part of	di:24	12	53078	TCA left wbj	134 63 84 080	c:17
3	53660	stabilizer link	133 12 09 080	L:262	13	53079	TCA right wbj	134 63 85 080	c:17
4	853444	strut mount	131 19 30 080	di:14.1	14	53478	TCA left wbj	135 93 98 080	c:17
5	853445	strut mount	131 19 31 080	di:14.1	15	53479	TCA right wbj	135 93 99 080	c:17
6	819413	bearing	130 36 72 080	di:78 do:128 L:45.5	16	819650	silentblock for TCA	Part of	di:23
7	853458 KIT	strut mount kit	131 19 30 080 S1	di:14	17	819648	silentblock for TCA	Part of	di:22.9 do:22.9
8	853459 KIT	strut mount kit	131 19 31 080 S1	di:14	18	819649	silentblock for TCA	Part of	di:22.9 do:22.9
9	306.235	steering rack gaiter	77 362 281	D:64 d:14 L:175	19	819663	silentblock for TCA	Part of	di:22.9
10	53638	tie rod end	773 62 279	c:13.6 th:FM14x1.5R					