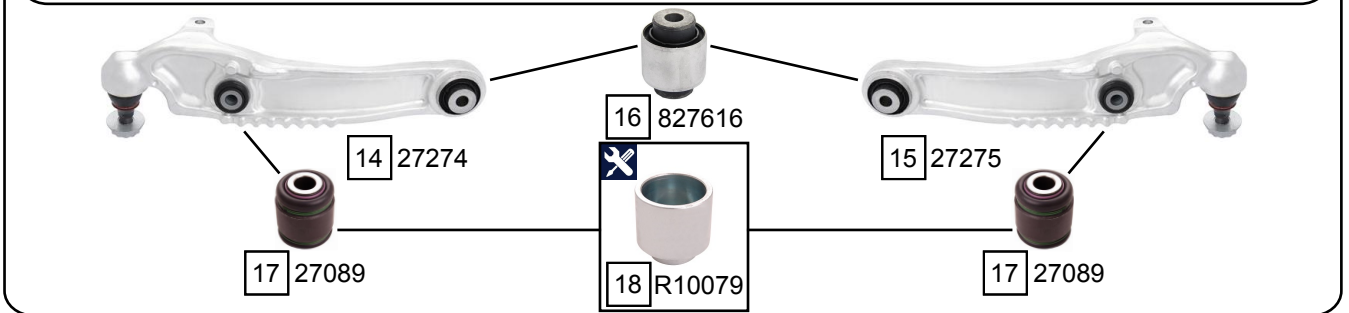
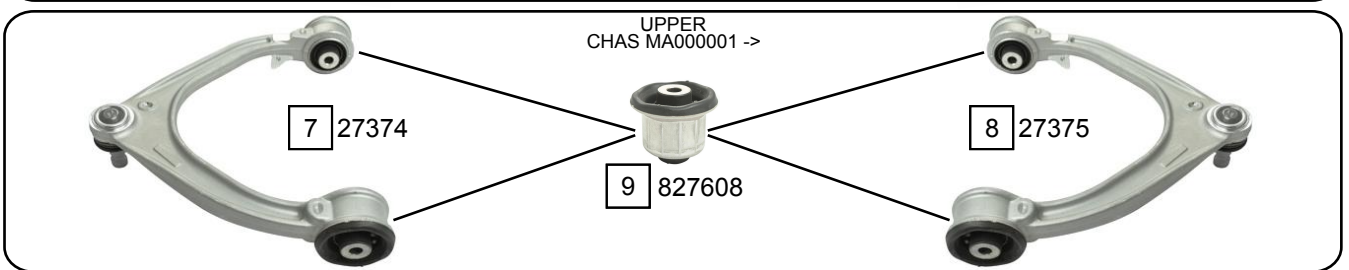
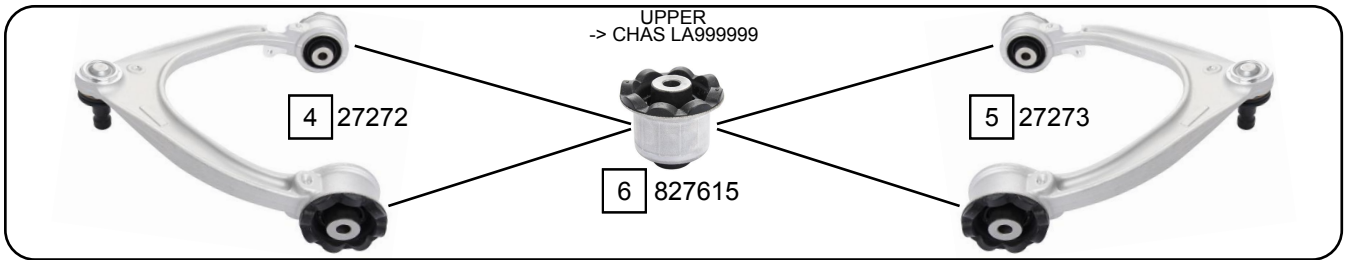
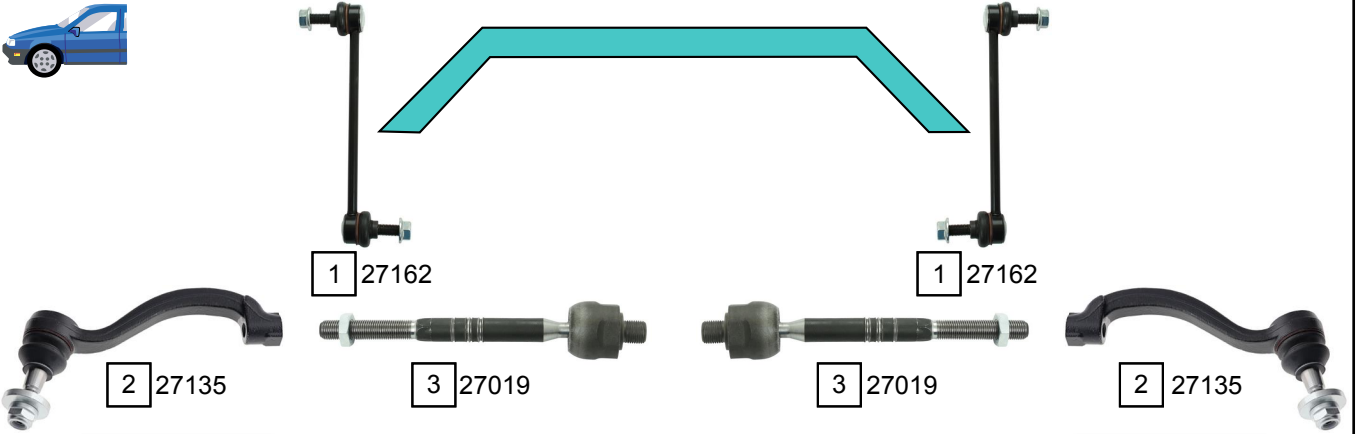


# LAND ROVER

## RANGE ROVER

RANGE ROVER VELAR (L560)

03/2017 ->



Ref.	Sidem Ref.	Description	OE-number	Measures	Ref.	Sidem Ref.	Description	OE-number	Measures
1	27162	stabilizer link	LR0 90522	L:220	10	27276	TCA	LR0 90506	L:397
2	27135	tie rod end	LR1 11480	c:15.3 th:FM14x1.5R	11	827617	silentblock for TCA	Part of	di:14.1 do:80.1
3	27019	axial joint	LR0 90900	th:MM16x1.5R L:210	12	27277	TCA	LR1 41981	L:397
4	27272	TCA left wbj	LR1 17883	c:17	13	827622	silentblock for TCA	Part of	di:14.2 do:102
5	27273	TCA right wbj	LR1 17884	c:17	14	27274	TCA left wbj	LR1 41989	c:18
6	827615	silentblock for TCA	Part of	di:10 do:46.3	15	27275	TCA right wbj	LR1 41990	c:18
7	27374	TCA left wbj	LR1 41993	c:17	16	827616	silentblock for TCA	Part of	di:14.2 do:51.2
8	27375	TCA right wbj	LR1 41995	c:17	17	27089	ball joint	Part of	di:14.2 do:42
9	827608	silentblock for TCA	Part of	di:10.2 do:46.6	18	R10079	mounting tool ring ø46 ø38	Ø 38	di:38 do:46