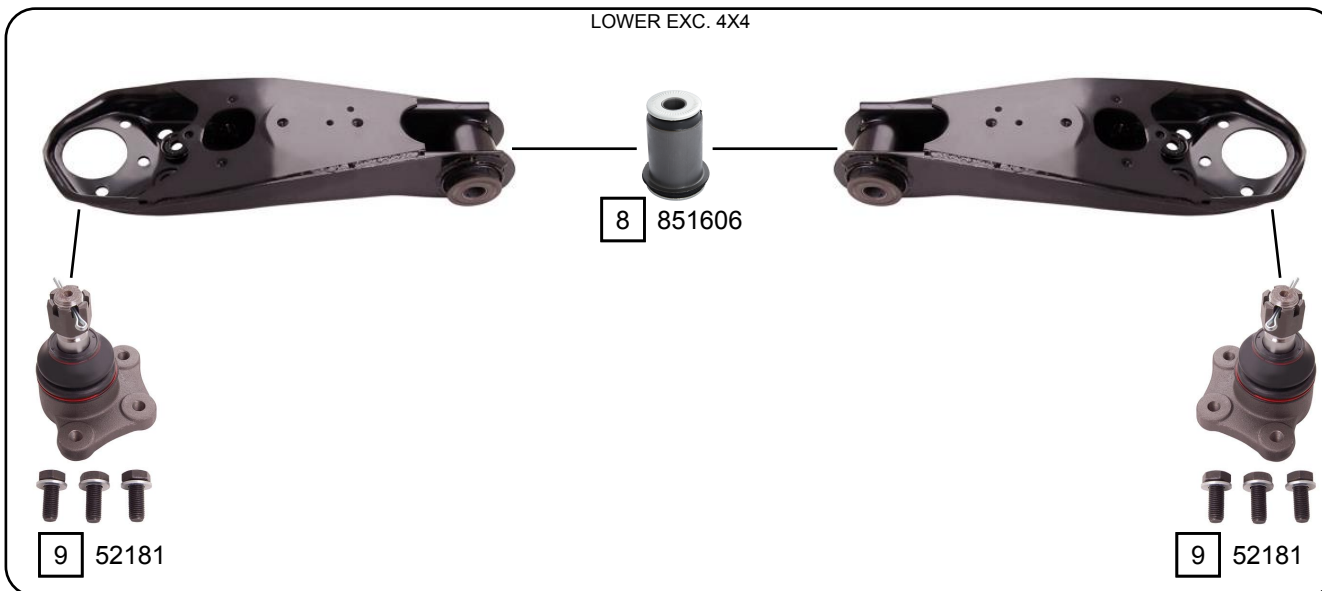
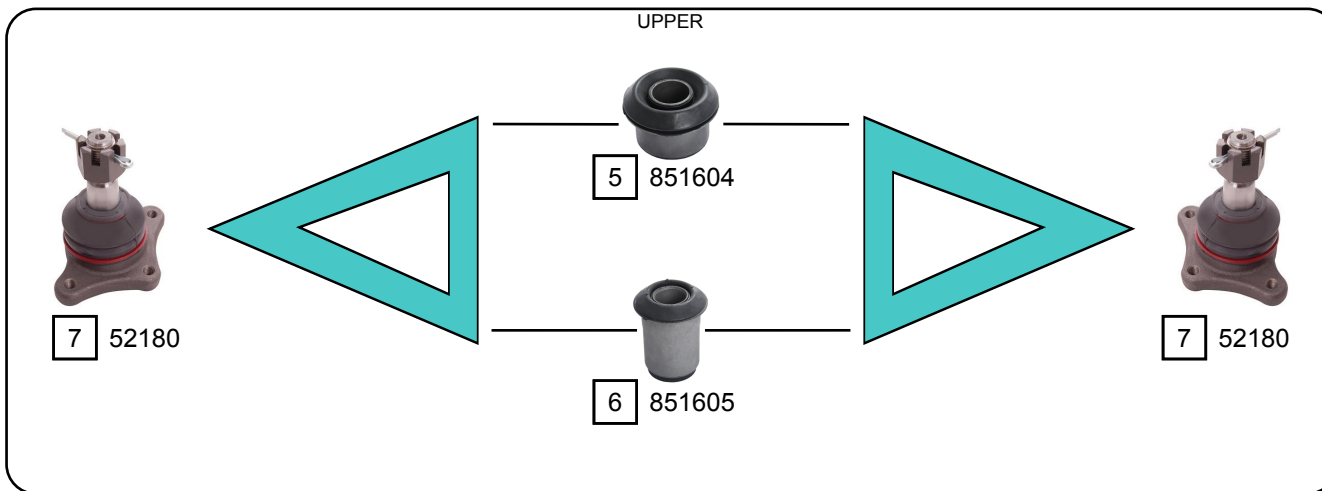
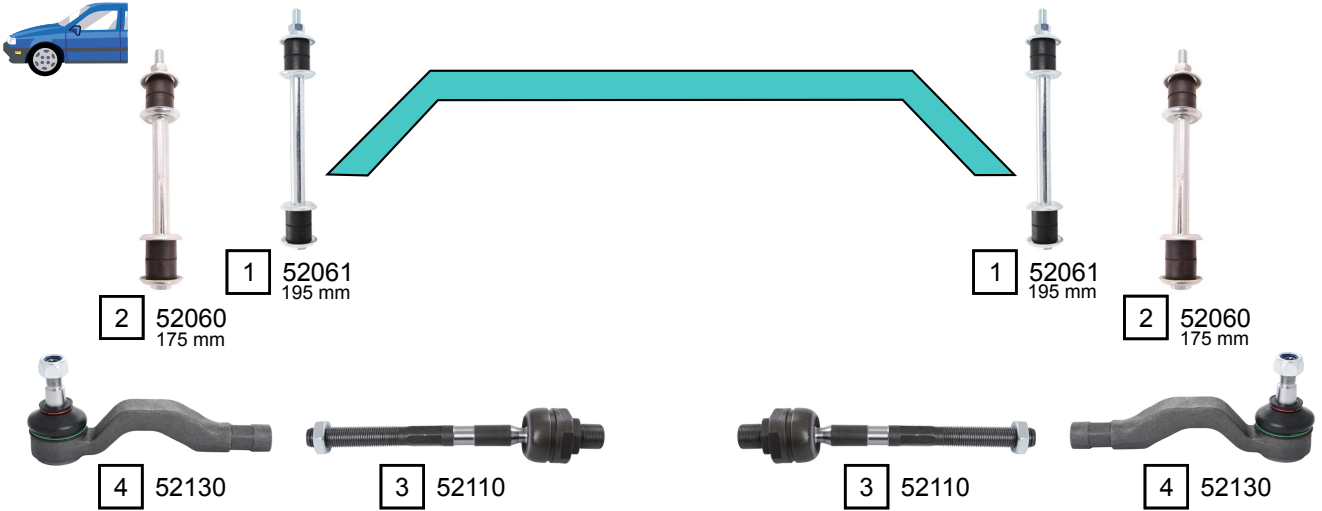


E2000 - E2200 (SD, SR)

01/1984 - 07/1999



Ref.	Sidem Ref.	Description	OE-number	Measures	Ref.	Sidem Ref.	Description	OE-number	Measures
1	52061	stabilizer link	99803 08190 S1	L:195	6	851605	silentblock for TCA	S083 34 830 A	di:24 do:45.2
2	52060	stabilizer link	99803 08170 S1	L:175	7	52180	ball joint upper	S083 99 354	c:17.8
3	52110	axial joint	SA39 32 115	th:MM17x1R L:183	8	851606	silentblock for TCA	S231 34 820	di:16.2 do:45
4	52130	tie rod end	S083 32 240 A	c:13.8 th:FM14x1.5R	9	52181	ball joint lower	S083 99 356	c:17.8
5	851604	silentblock for TCA	S083 34 840 A	di:22.1 do:45.3					