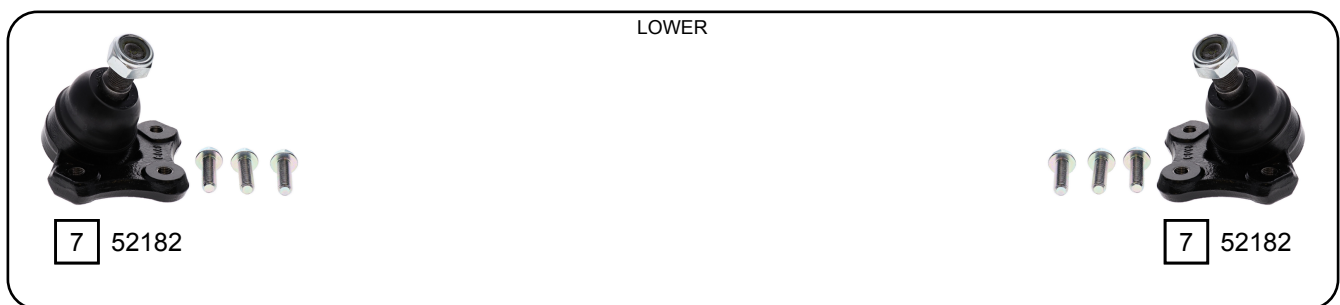
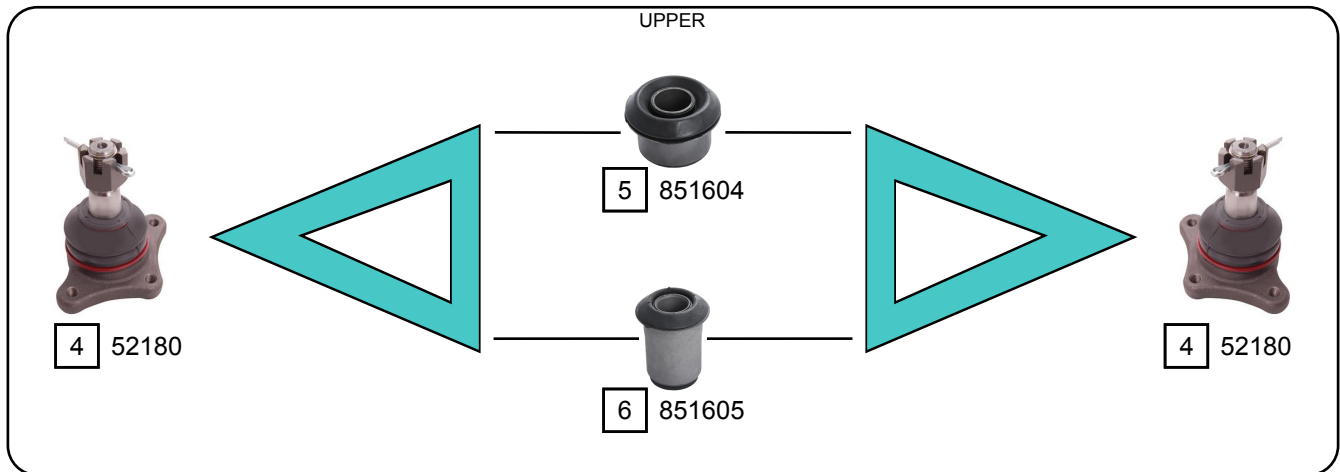
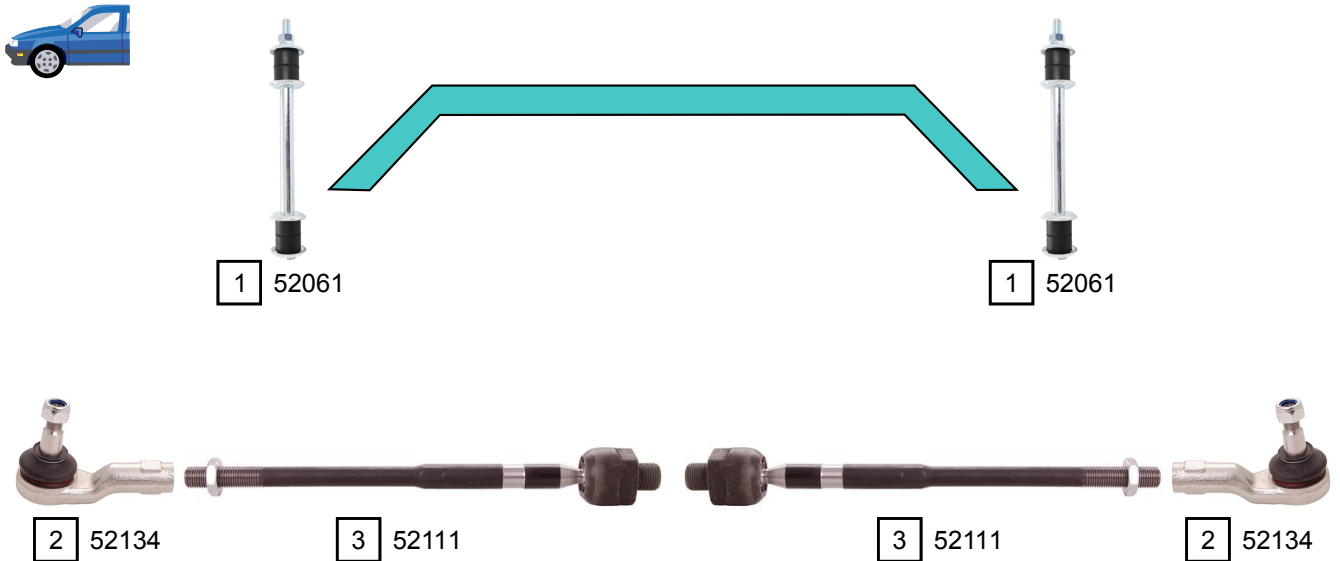


E2000 - E2200 (SD, SR)

08/1999 - 07/2004



Ref.	Sidem Ref.	Description	OE-number	Measures	Ref.	Sidem Ref.	Description	OE-number	Measures
1	52061	stabilizer link	99803 08190 S1	L:195	5	851604	silentblock for TCA	S083 34 840 A	di:22.1 do:45.3
2	52134	tie rod end	S47P 32 280	c:14.9 th:FM14X1.5R	6	851605	silentblock for TCA	S083 34 830 A	di:24 do:45.2
3	52111	axial joint	S47P 32 240 A	th:MM18X1.5R L:290	7	52182	ball joint lower	S47P 34 550 A	c:19.5
4	52180	ball joint upper	S083 99 354	c:17.8					