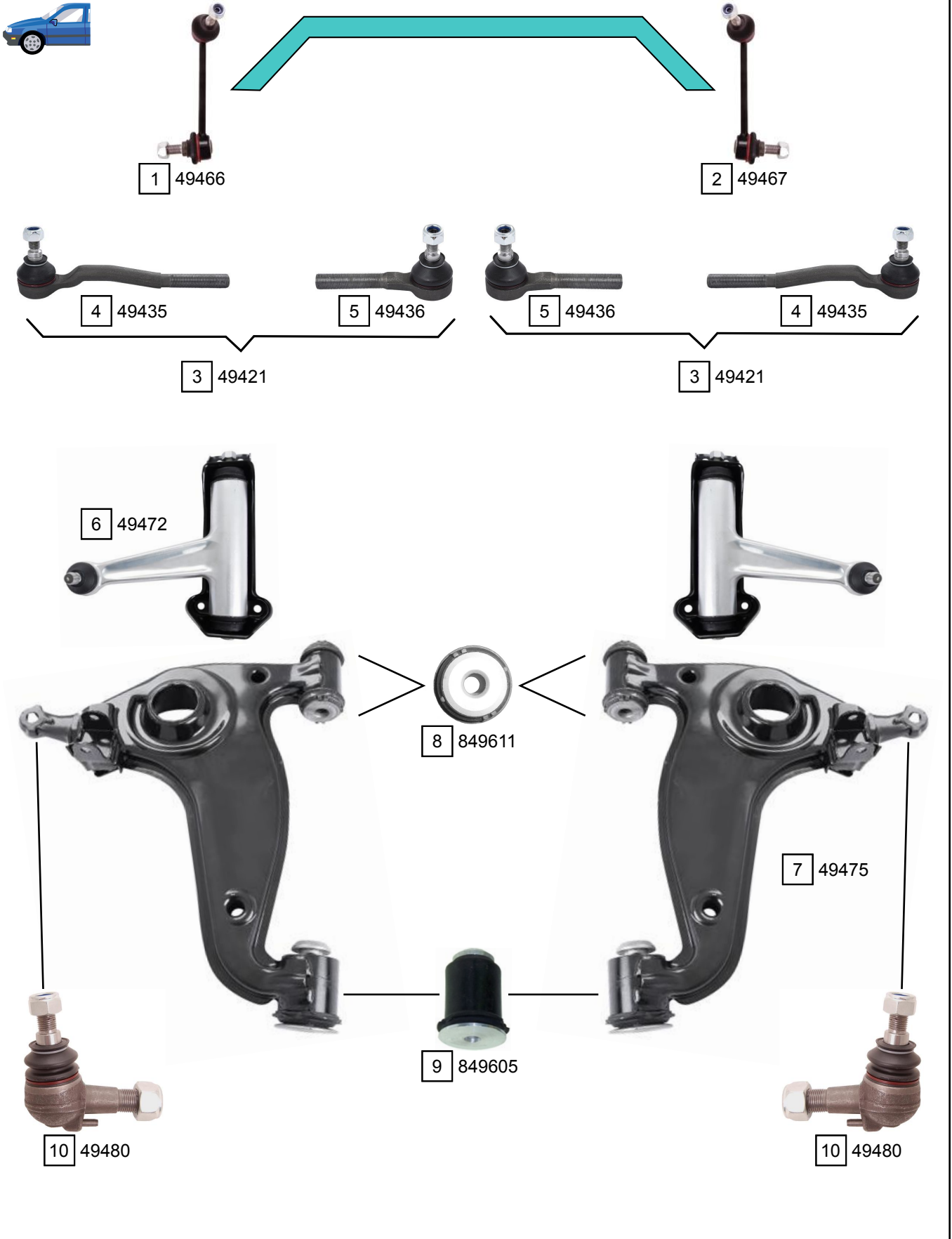


MERCEDES

S-CLASS

S-CLASS (W140)
S-CLASS (S140)

02/1991 - 10/1998
09/1992 - 02/1999



Ref.	Sidem Ref.	Description	OE-number	Measures	Ref.	Sidem Ref.	Description	OE-number	Measures
1	49466	stabilizer link left	140 320 11 89	L:152	6	49472	TCA left wbj	140 330 76 07	c:16
2	49467	stabilizer link right	140 320 12 89	L:152	7	49475	TCA right wobj	140 330 71 07	c:18
3	49421	tie rod	140 330 00 03	L:340	8	849611	silentblock for TCA	124 333 43 14	di:16.2 do:48.2
4	49435	tie rod end	001 330 62 35	c:14.7 th:MM16x1.5R	9	849605	silentblock for TCA	140 333 18 14	di:16.9 do:58.3
5	49436	tie rod end	001 330 63 35	c:14.7 th:MM16x1.5L	10	49480	ball joint	140 333 03 27	c:18