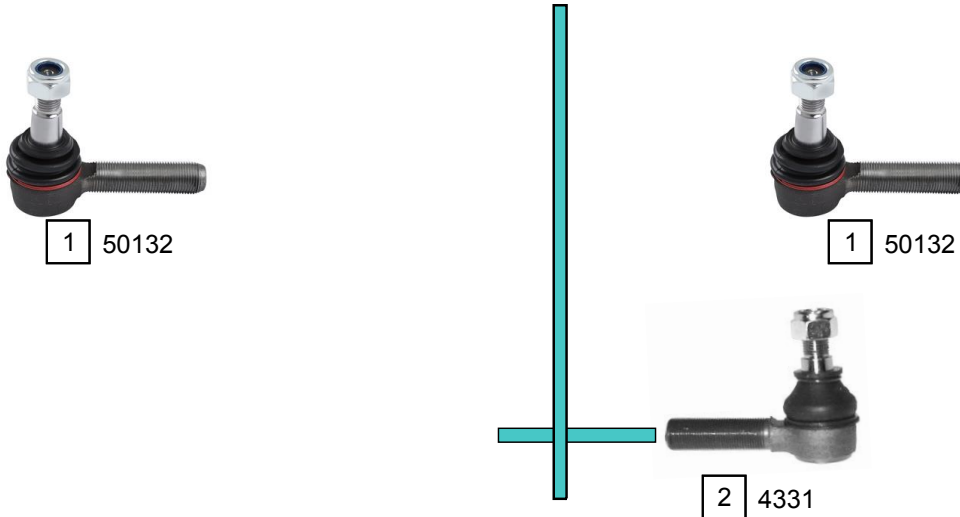


100 (631)

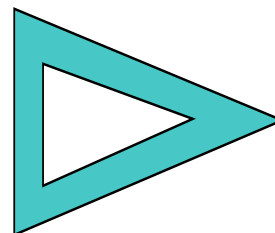
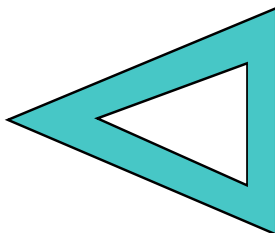
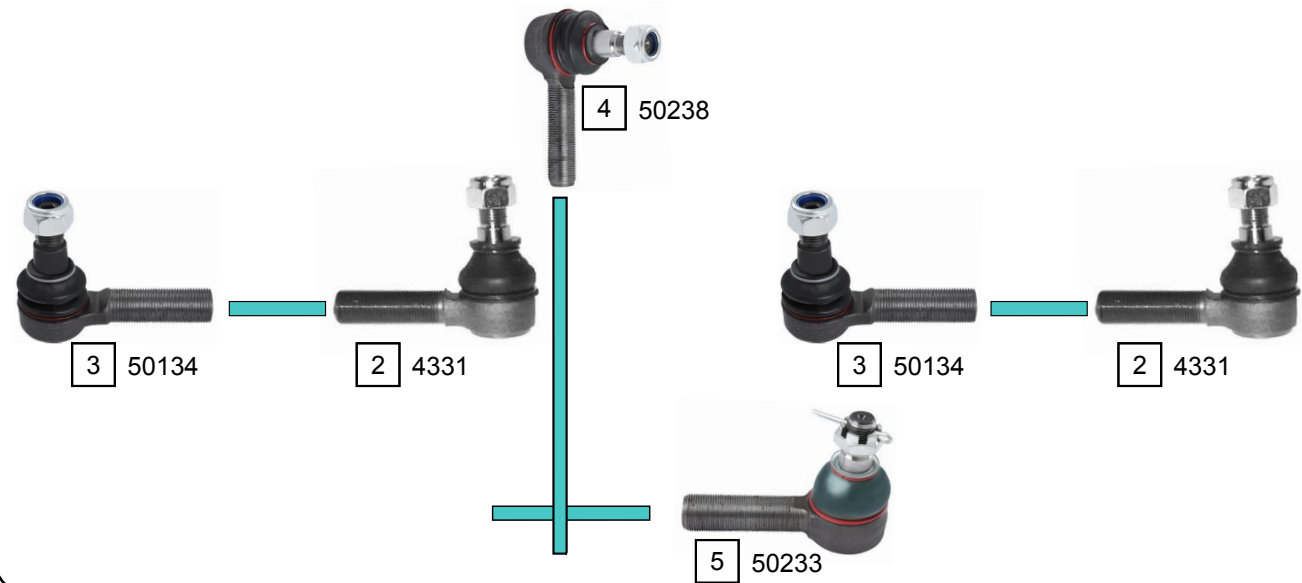
02/1988 - 02/1996



-> CHAS 013457



CHAS 013458 ->



Ref.	Sidem Ref.	Description	OE-number	Measures	Ref.	Sidem Ref.	Description	OE-number	Measures
1	50132	tie rod end	631 338 03 10	c:16.2 th:MM18X1.5L	4	50238	tie rod end	000 460 65 48	c:16.2 th:MM18X1.5R
2	4331	tie rod end right	460 330 12 35	c:18.1 th:MM20x1.5R	5	50233	tie rod end	631 330 05 35	c:19.9 th:MM24x1.5R
3	50134	tie rod end	631 330 04 35	c:18.1 th:MM20X1.5L	6	50182	ball joint	631 320 00 28	c:20.1 do:26