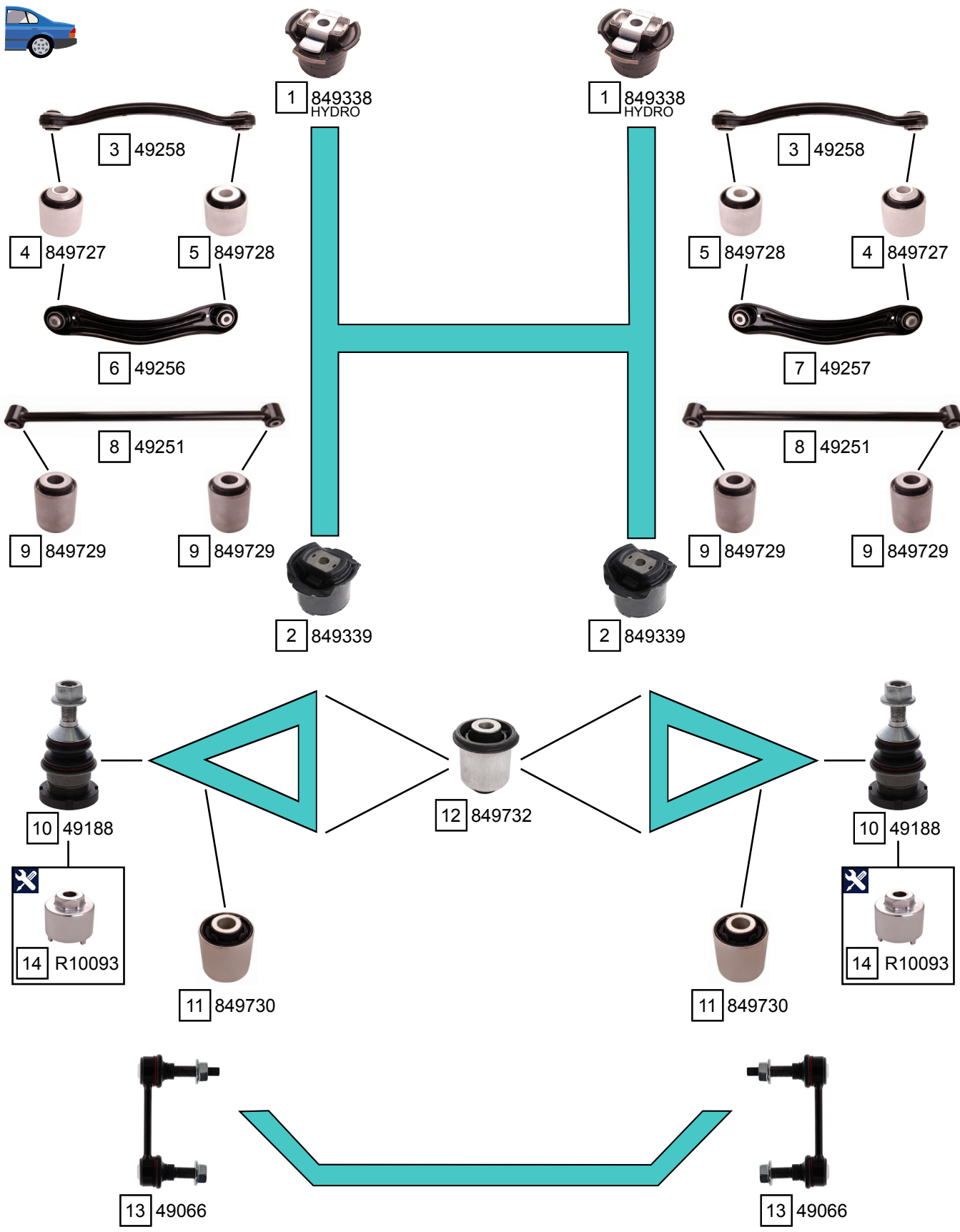


ML (W164)

07/2005 - 06/2012



| Ref. | Sidem Ref. | Description | OE-number | Measures | Ref. | Sidem Ref. | Description | OE-number | Measures |
|------|------------|---------------------|---------------|----------------|------|------------|---------------------------|---------------|-----------------|
| 1 | 849338 | mounting axle body | 166 351 13 00 | di:20.4 do:100 | 8 | 49251 | track rod | 166 350 00 53 | L:522 |
| 2 | 849339 | mounting axle body | 166 350 00 75 | di:19 do:102 | 9 | 849729 | silentblock for TCA | Part of | di:12.1 do:31.6 |
| 3 | 49258 | track rod | 164 350 14 06 | L:384 | 10 | 49188 | ball joint | 164 352 03 27 | c:17.8 |
| 4 | 849727 | silentblock for TCA | Part of | di:12 do:39.6 | 11 | 849730 | silentblock for TCA | 166 326 02 81 | di:16.2 do:50 |
| 5 | 849728 | silentblock for TCA | Part of | di:12 do:39.6 | 12 | 849732 | silentblock for TCA | Part of | di:14.2 do:50.2 |
| 6 | 49256 | track rod | 164 350 13 06 | L:362 | 13 | 49066 | stabilizer link rear axle | 164 320 12 32 | L:117 |
| 7 | 49257 | track rod | 164 350 16 06 | L:362 | 14 | R10093 | mounting tool | SEE PAGE II | di:53.3 |