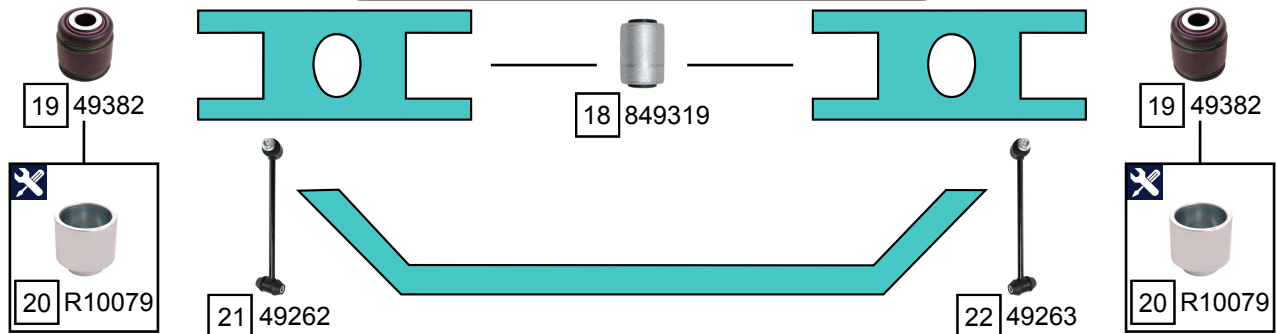
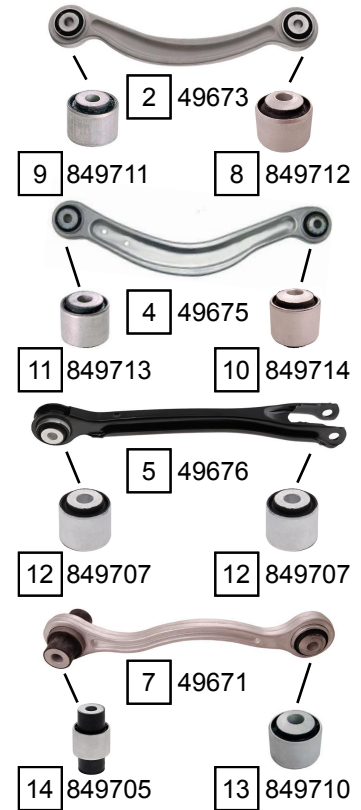
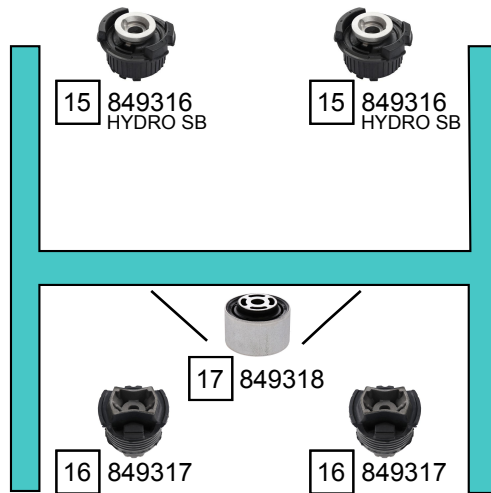
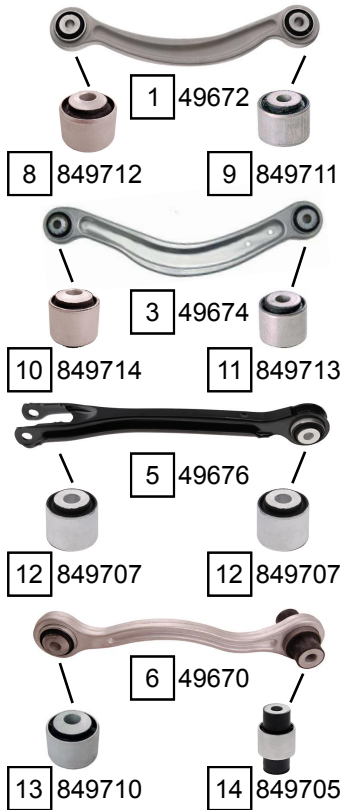


E-CLASS (W212)
E-CLASS (S212)

01/2009 - 12/2016
08/2009 - 12/2016



Ref.	Sidem Ref.	Description	OE-number	Measures	Ref.	Sidem Ref.	Description	OE-number	Measures
1	49672	TCA left	204 350 21 06	L:312	13	849710	silentblock for TCA	Part of	di:12.3 do:40.2
2	49673	TCA right	204 350 22 06	L:312	14	849705	silentblock for TCA	Part of	di:12.2 do:40.3
3	49674	TCA left	205 350 61 03	L:342	15	849316	mounting axle body	204 351 08 42	di:17.8 do:77
4	49675	TCA right	205 350 62 03	L:342	16	849317	mounting axle body	204 350 02 75	di:13.3 do:90
5	49676	TCA	205 350 63 03	L:331	17	849318	mounting axle body	204 351 04 42	di:15.2 do:74.2
6	49670	TCA left	205 350 65 03	L:265	18	849319	silentblock for TCA	222 352 08 65	di:12.2 do:51.4
7	49671	TCA right	205 350 66 03	L:265	19	49382	ball joint rear	204 352 00 27	di:14.2 do:40
8	849712	silentblock for TCA	Part of	di:12.3 do:43.5	20	R10079	mounting tool ring ø46 ø38	TOOL	di:38 do:46
9	849711	silentblock for TCA	Part of	di:12.3 do:43.5	21	49262	stabilizer link left	204 320 05 89	L:232
10	849714	silentblock for TCA	Part of	di:12.2 do:39.5	22	49263	stabilizer link right	204 320 04 89	L:232
11	849713	silentblock for TCA	Part of	di:12.3 do:39.5	23	490178	set TCA + stab. link	205 350 61 03 S1	
12	849707	silentblock for TCA	230 352 15 65	di:12.1 do:38.5					