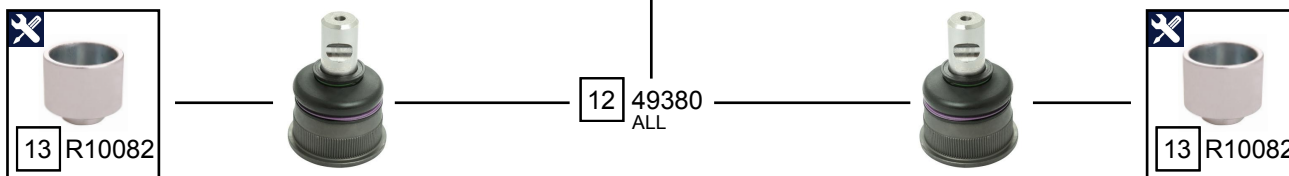
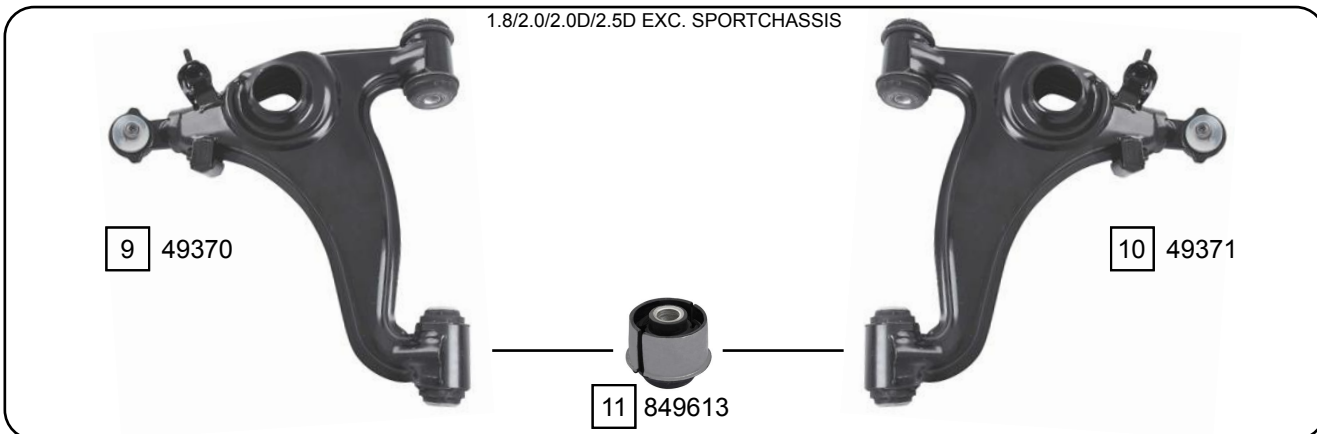
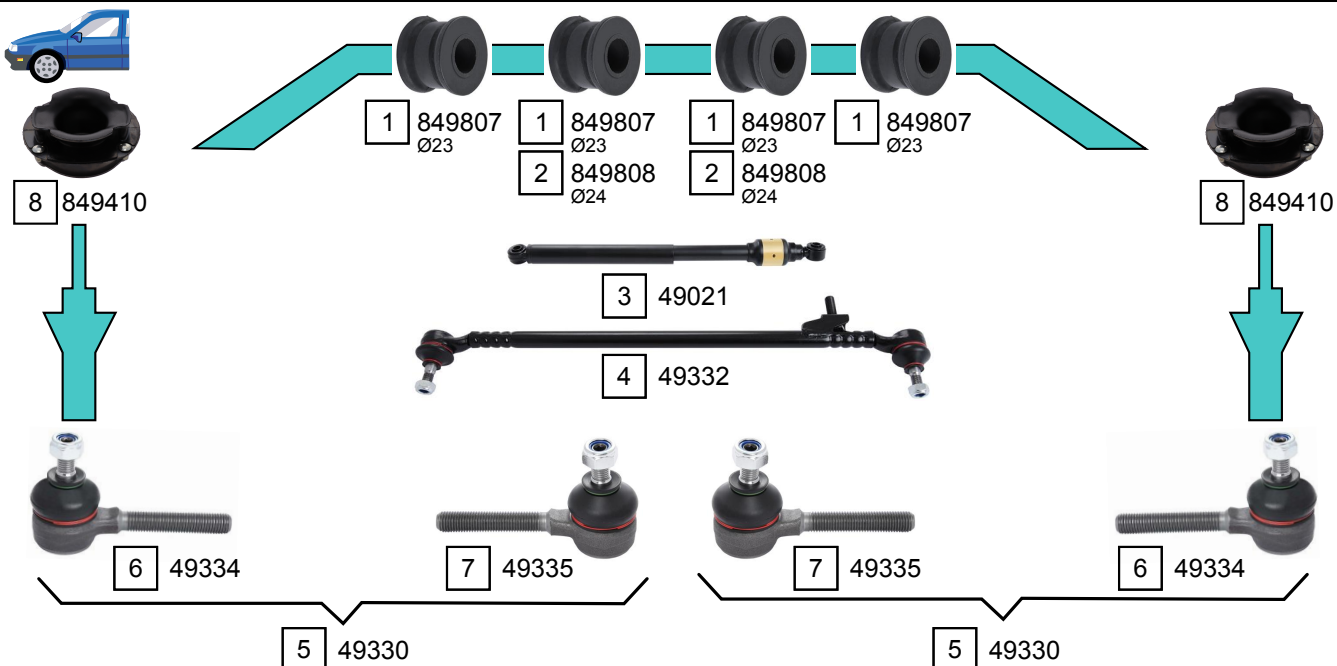


190 (W201)

11/1982 - 08/1993



Ref.	Sidem Ref.	Description	OE-number	Measures	Ref.	Sidem Ref.	Description	OE-number	Measures
1	849807	stabilizer mounting	201 323 49 85	di:22	8	849410	strut mount	201 320 24 44	di:14.1 L:56
2	849808	stabilizer mounting	124 323 54 85	di:24	9	49370	TCA left wbj	124 330 38 07	c:18
3	49021	steering damper	124 463 04 32	L:540	10	49371	TCA right wbj	124 330 39 07	c:18
4	49332	tie rod center	201 460 15 05	L:487	11	849613	silentblock for TCA	201 333 45 14	di:14.2 do:53.6
5	49330	tie rod	201 330 15 03	c:10.9 L:302	12	49380	ball joint lower	124 333 03 27	c:18 do:46.3
6	49334	tie rod end	000 338 62 10	c:10.9 th:MM12X1.5L	13	R10082	mounting tool ring ø52 ø44	TOOL	di:44 do:52
7	49335	tie rod end	000 338 63 10	c:10.9 th:MM12X1.5R					