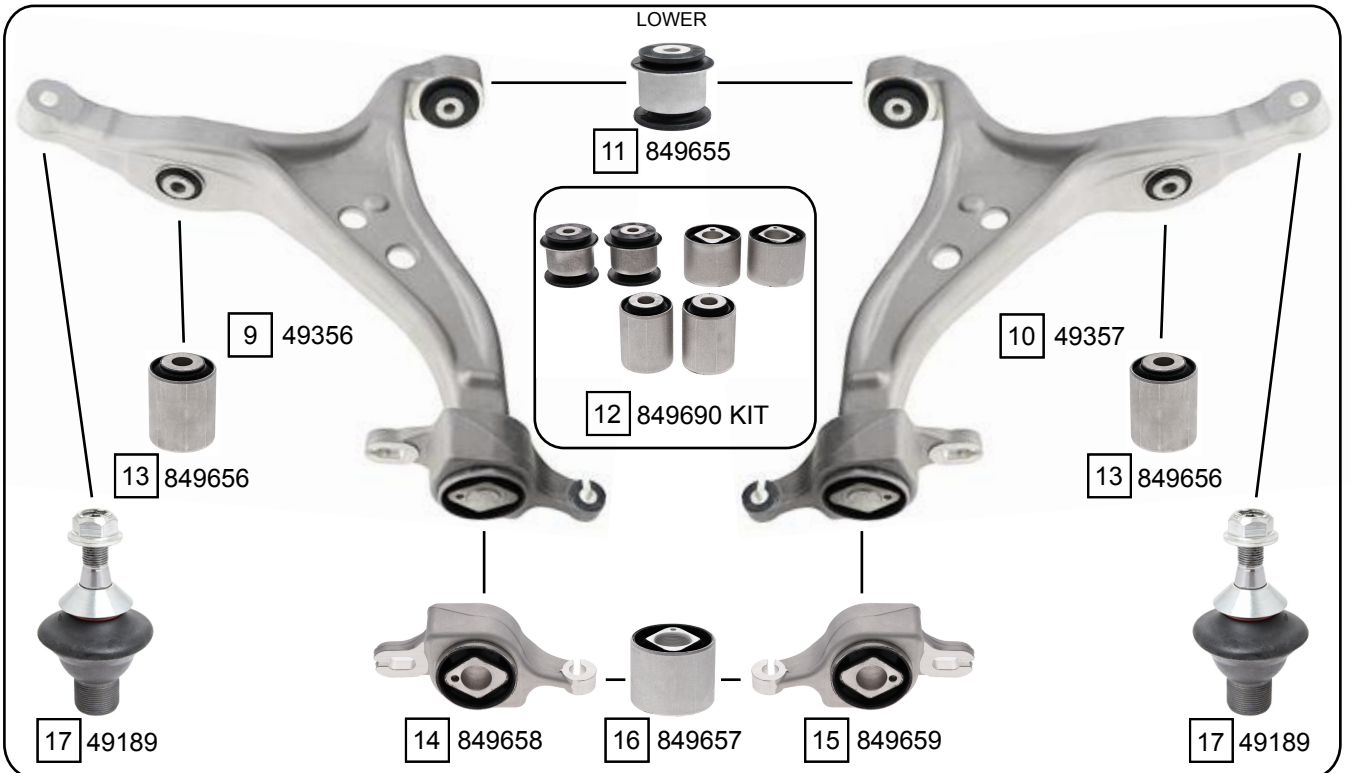
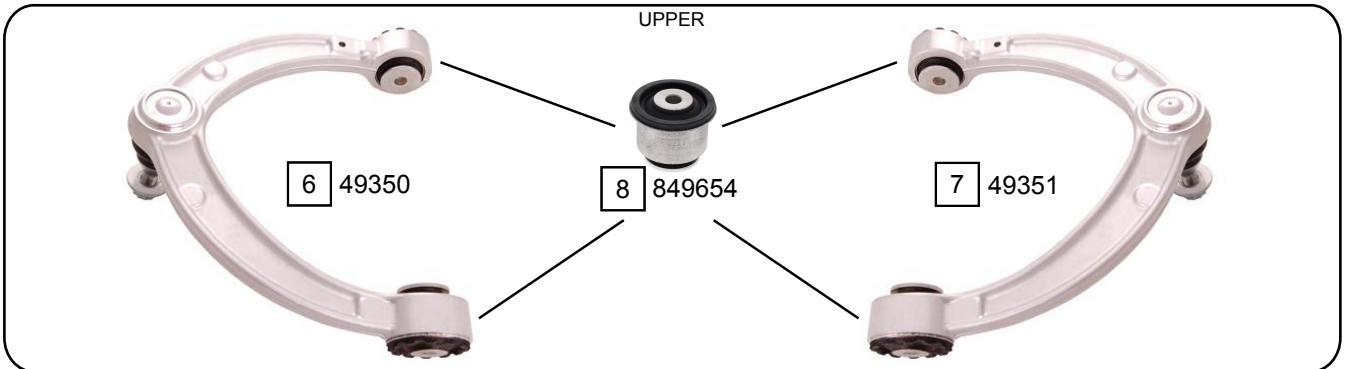
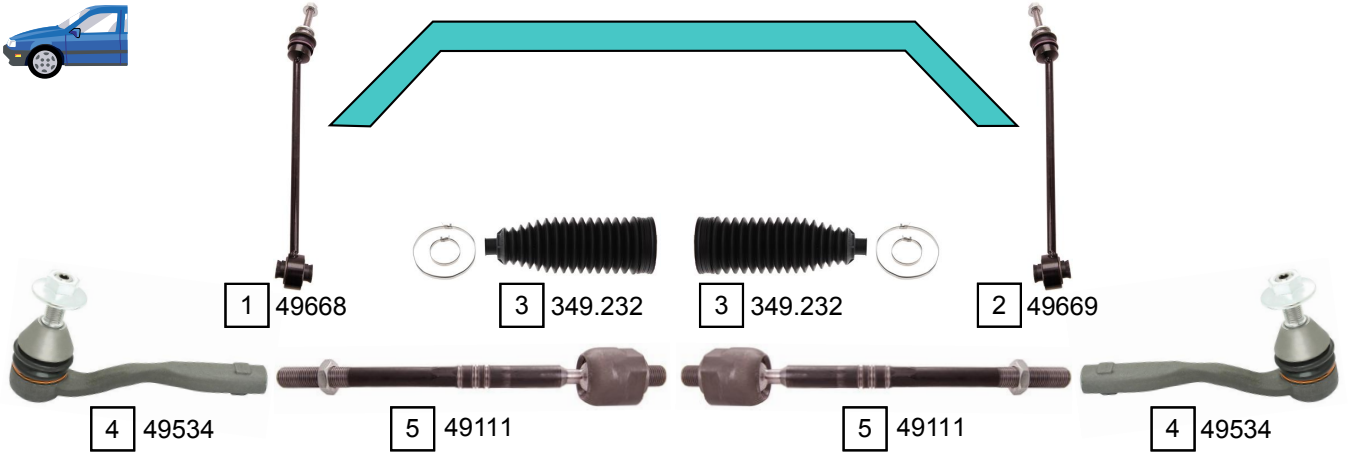


GLS (X166)

11/2015 - 04/2019



Ref.	Sidem Ref.	Description	OE-number	Measures	Ref.	Sidem Ref.	Description	OE-number	Measures
1	49668	stabilizer link left	166 320 07 89	L:320	10	49357	TCA right wobj	166 330 02 07	c:20
2	49669	stabilizer link right	166 320 08 89	L:320	11	849655	silentblock for TCA	166 333 04 14	di:14 do:57.3
3	349.232	steering rack gaiter	166 460 01 96	D:62 d:16 L:207	12	849690 KIT	silentblock kit	166 333 04 14 S1	
4	49534	tie rod end	166 330 04 03	c:21.5 th:FM16X1.5R	13	849656	silentblock for TCA	166 333 02 14	di:16.1 do:52.2
5	49111	axial joint	166 338 03 15	th:MM14x1.5R L:269	14	849658	silentblock for TCA left	166 330 01 43	do:70.1
6	49350	TCA left wbj	166 330 17 07	c:17.5	15	849659	silentblock for TCA right	166 330 02 43	do:70.1
7	49351	TCA right wbj	166 330 18 07	c:17.5	16	849657	silentblock for TCA	Part of	do:70.1
8	849654	silentblock for TCA	166 333 00 00	di:10.2 do:46.3	17	49189	ball joint	166 330 02 35	c:16.2
9	49356	TCA left wobj	166 330 01 07	c:20					