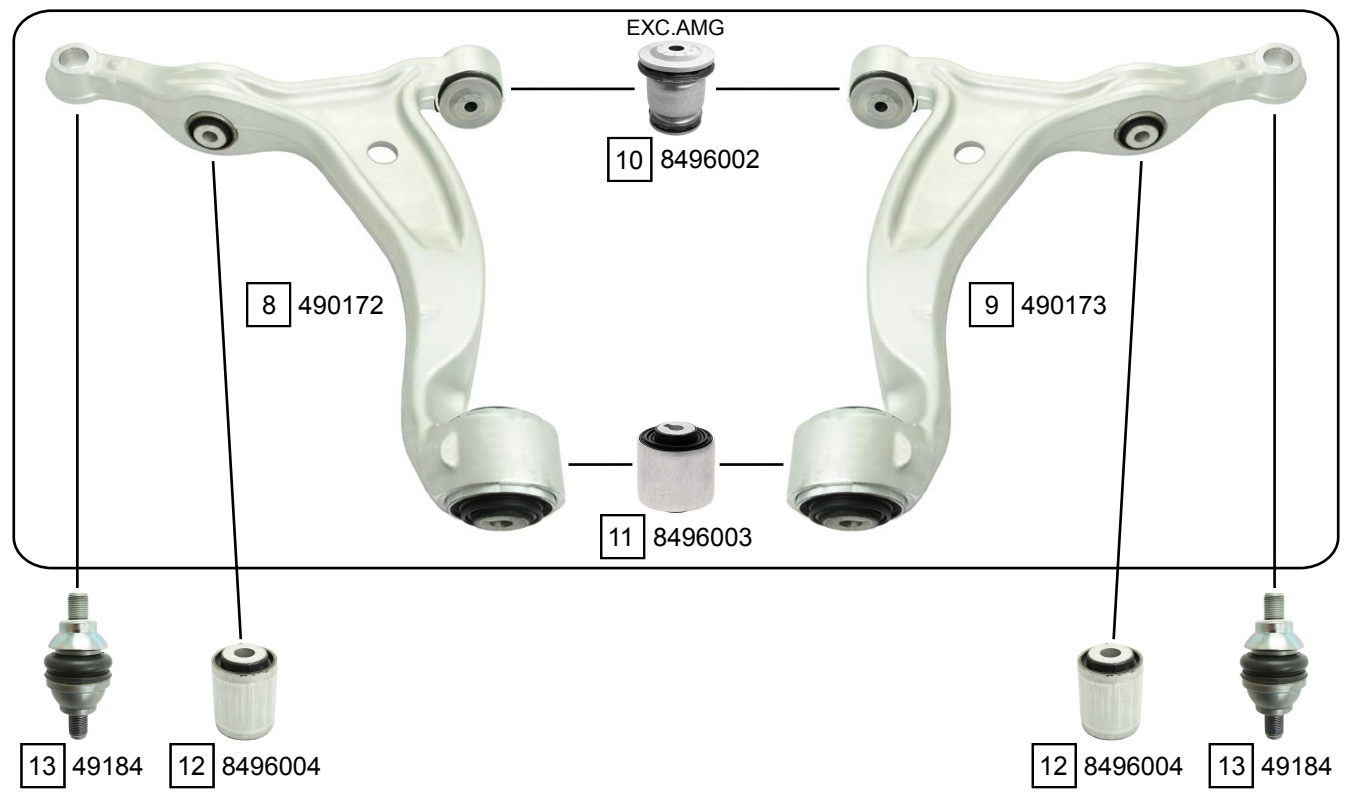
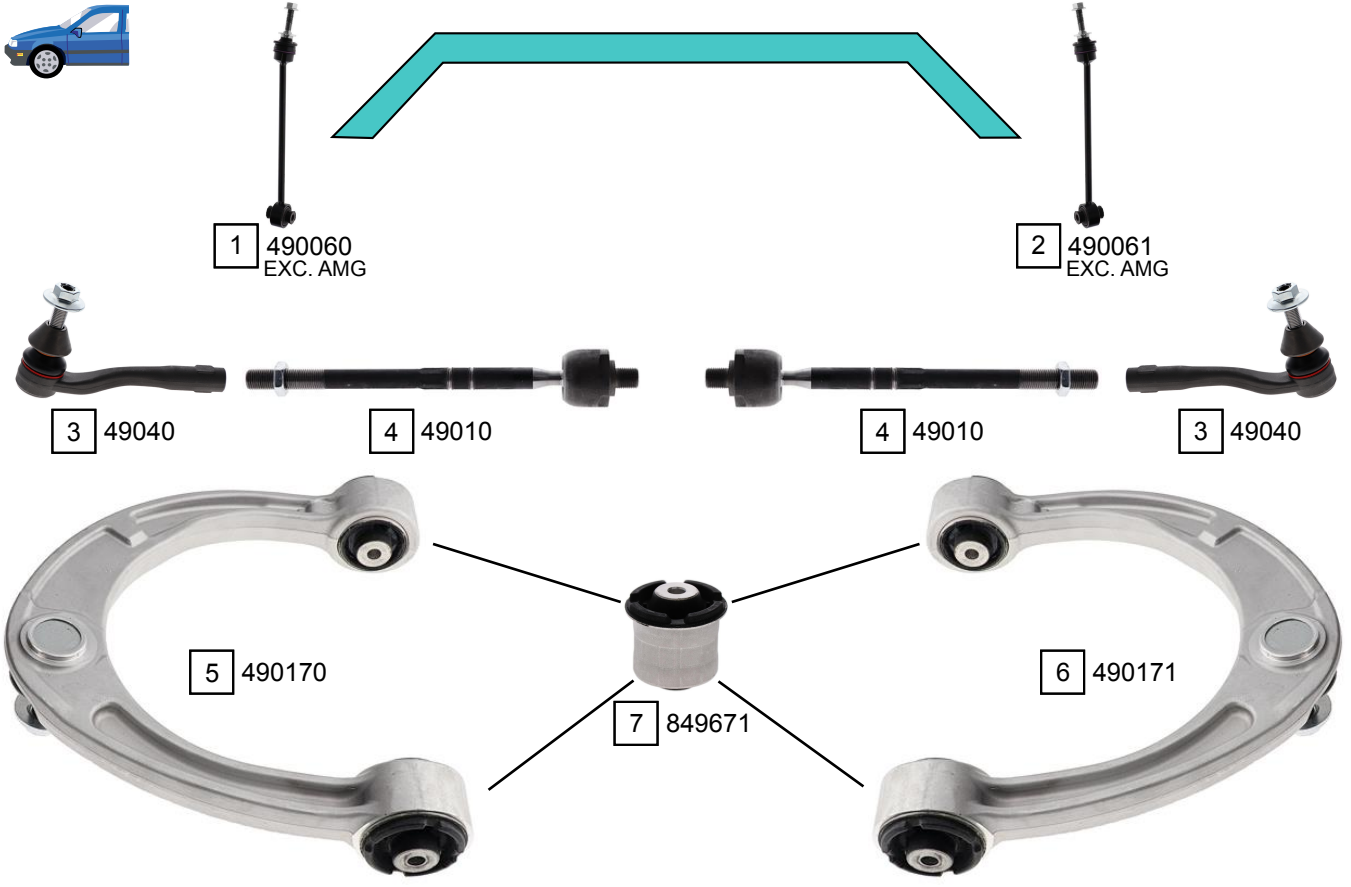


GLE (V167)
GLE COUPE (C167)

10/2018 ->
11/2019 ->



Ref.	Sidem Ref.	Description	OE-number	Measures	Ref.	Sidem Ref.	Description	OE-number	Measures
1	490060	stabilizer link left	167 320 01 89	L:300	8	490172	TCA left wobj	167 330 07 00	c:30.1
2	490061	stabilizer link right	167 320 02 89	L:300	9	490173	TCA right wobj	167 330 08 00	c:30.1
3	49040	tie rod end	167 330 71 00	c:21.5 th:FM16X1.5R	10	8496002	silentblock for TCA	167 333 12 00	di:14.2 do:57.3
4	49010	axial joint	167 338 00 00	th:MM16X1.5R L:282	11	8496003	silentblock for TCA	167 333 16 00	di:15.8 do:75.4
5	490170	TCA left wbj	167 330 13 00	c:22.5 L:215	12	8496004	silentblock for TCA	167 333 15 00	di:16.2 do:52.2
6	490171	TCA right wbj	167 330 14 00	c:22.5 L:215	13	49184	ball joint	167 330 63 00	c:28.4
7	849671	silentblock for TCA	Part of	di:10 do:51.2					