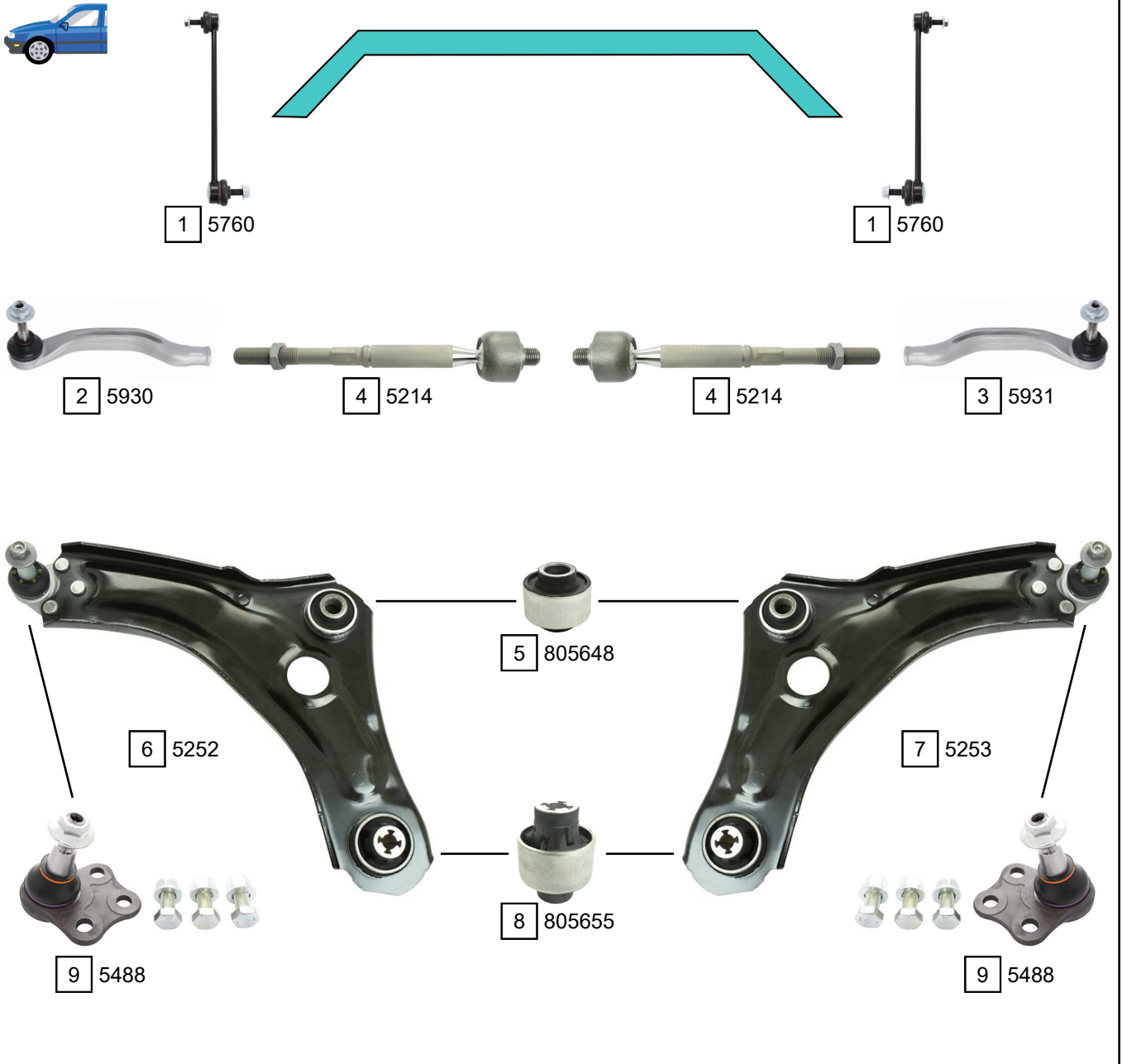


CITAN (W420)

09/2021 ->



Ref.	Sidem Ref.	Description	OE-number	Measures	Ref.	Sidem Ref.	Description	OE-number	Measures
1	5760	stabiliser link	420 320 01 00	L:275	6	5252	TCA left wbj	420 330 01 00	c:15.8
2	5930	tie rod end left	420 460 19 00	c:11.9 th:FM14X1.5R	7	5253	TCA right wbj	420 330 00 00	c:15.8
3	5931	tie rod end right	420 460 18 00	c:11.9 th:FM14X1.5R	8	805655	silentblock for TCA	Part of	di:14.2 do:58
4	5214	axial joint	Part of	th:MM14X1.5R L:221	9	5488	ball joint	Part of	c:15.8
5	805648	silentblock for TCA	Part of	di:18.5 do:55					