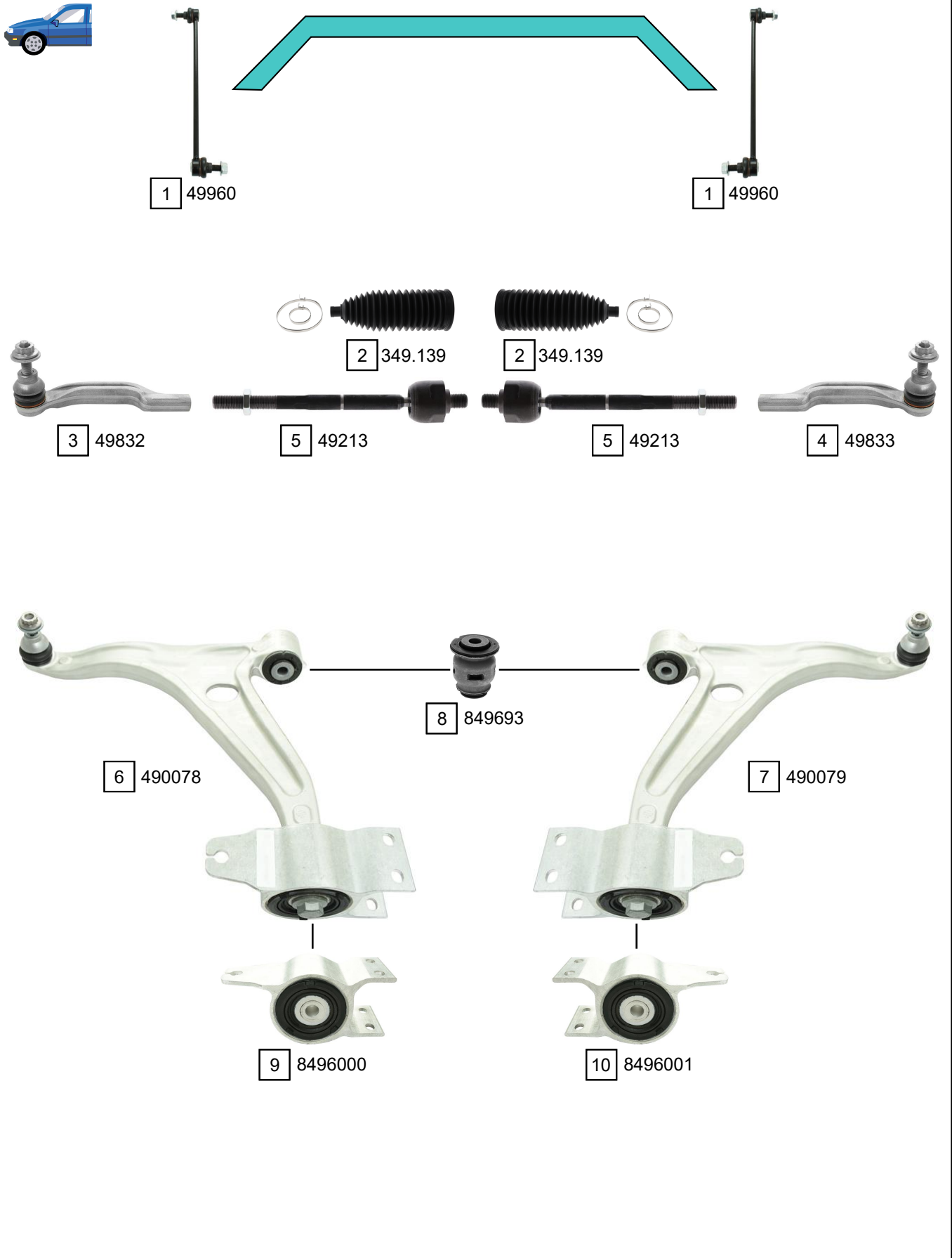


EQB (X243)

10/2021 ->



Ref.	Sidem Ref.	Description	OE-number	Measures	Ref.	Sidem Ref.	Description	OE-number	Measures
1	49960	stabiliser link	247 320 42 00	L:339	6	490078	TCA left wbj	247 330 87 02	c:26.3
2	349.139	steering rack gaiter	177 463 00 00	D:60 d:13 L:192	7	490079	TCA right wbj	247 330 88 02	c:26.3
3	49832	tie rod end left	247 330 85 01	c:26.3 th:FM14X1.5R	8	849693	silentblock for TCA	Part of	di:14.3 do:50.2
4	49833	tie rod end right	247 330 82 01	c:26.3 th:FM14X1.5R	9	8496000 R	silentblock for TCA	247 333 11 00	di:14.2
5	49213	axial joint	247 338 00 00	th:MM14X1.5R L:223	10	8496001 R	silentblock for TCA	247 333 12 00	di:14.2