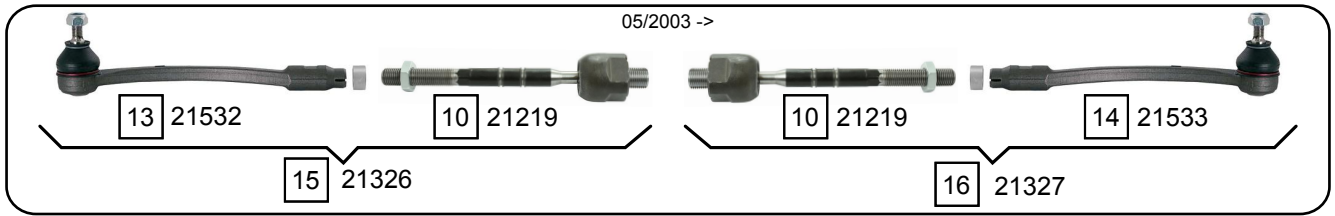
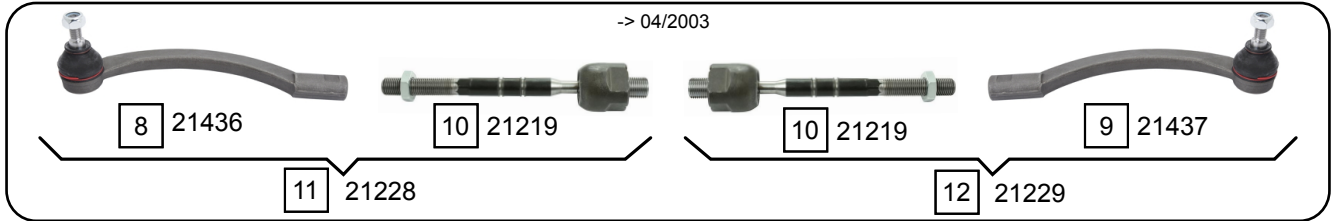
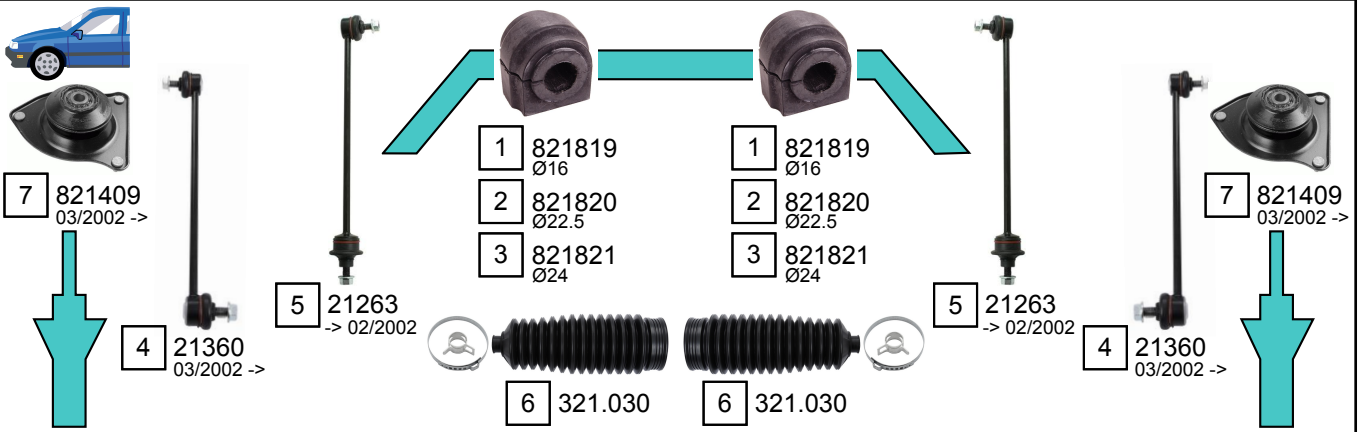


MINI (R50 - R53)  
MINI CONVERTIBLE (R52)

06/2001 - 09/2006  
07/2004 - 11/2007



Ref.	Sidem Ref.	Description	OE-number	Measures	Ref.	Sidem Ref.	Description	OE-number	Measures
1	821819	stabilizer mounting	31 35 6 757 069	di:16	13	21532	tie rod end left	32 13 6 761 559	c:12.8 th:FM14x1.5R
2	821820	stabilizer mounting	31 35 6 757 146	di:22.5	14	21533	tie rod end right	32 11 6 761 560	c:12.8 th:FM14x1.5R
3	821821	stabilizer mounting	31 35 6 758 302	di:24	15	21326	tie rod left	32 11 6 777 521	c:12.8
4	21360	stabilizer link	31 35 6 778 831	L:299	16	21327	tie rod right	32 10 6 777 522	c:12.8
5	21263	stabilizer link	31 35 1 507 989	L:331	17	21470	TCA left wobj	31 12 6 761 409	c:14.5
6	321.030	steering rack gaiter	32 13 6 756 757	D:48 d:13 L:165	18	21471	TCA right wobj	31 12 6 761 410	c:14.5
7	821409	strut mount	31 30 6 778 833	di:14 L:50	19	21486	ball joint left	31 10 6 779 437	c:16.4
8	21436	tie rod end left	32 21 6 754 565	c:12.7 th:FM14x1.5R	20	21487	ball joint right	31 10 6 779 438	c:16.4
9	21437	tie rod end right	32 21 6 754 566	c:12.7 th:FM14x1.5R	21	21485	ball joint	31 12 6 783 443	c:14.8
10	21219	axial joint	Part of	th:MM16X1.5R L:185	22	821656	silentblock for TCA	31 12 6 757 561	di:66.1
11	21228	tie rod left	32 11 6 780 785	c:12.7	23	821657	silentblock for TCA	31 12 6 757 562	di:66.1
12	21229	tie rod right	32 11 6 780 786	c:12.7	24	821712	silentblock for TCA	31 12 6 757 551	di:22 do:66