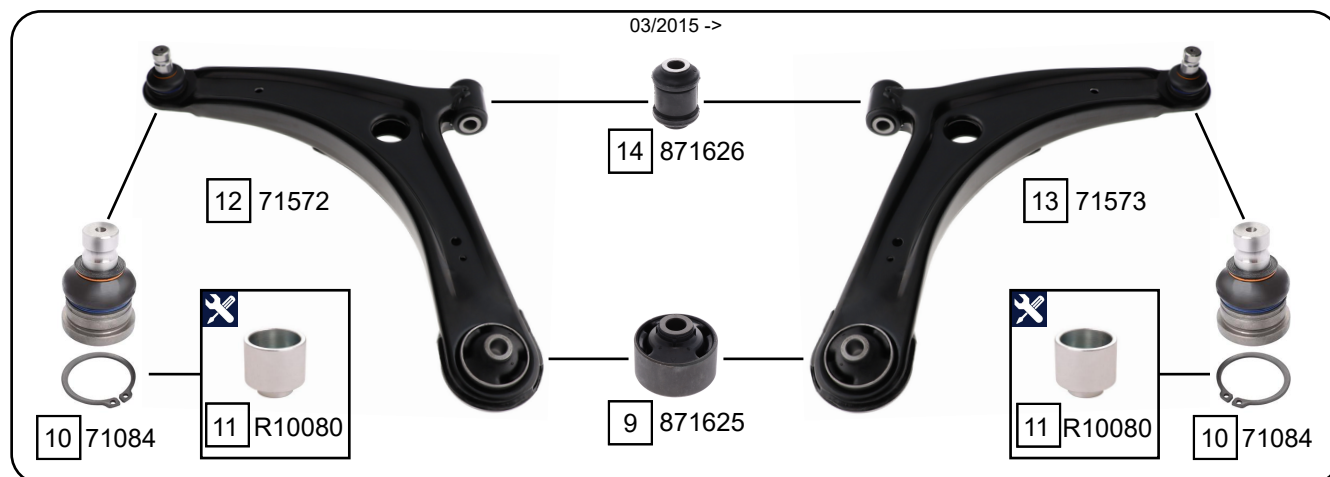
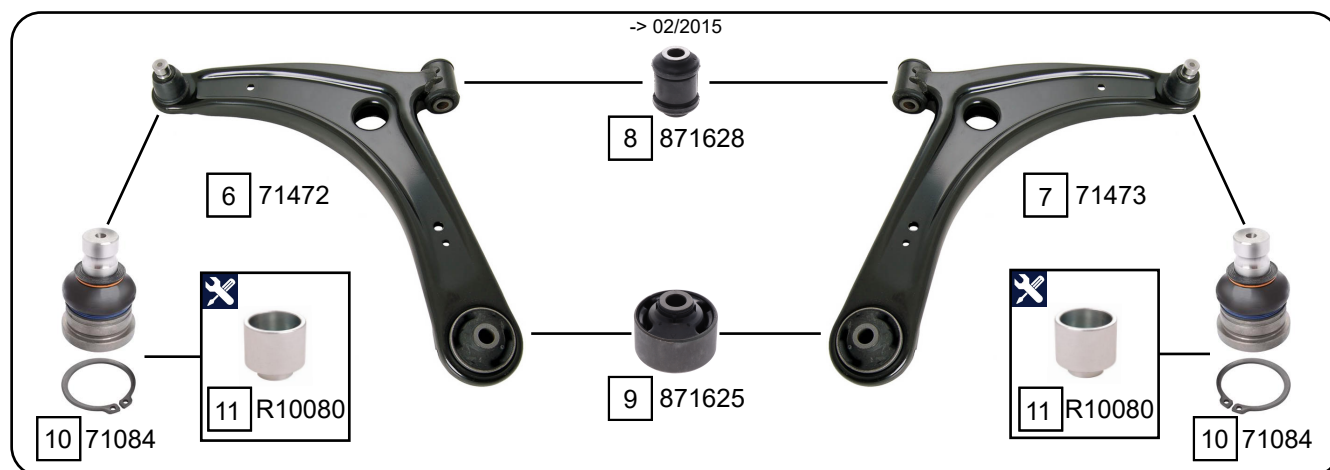
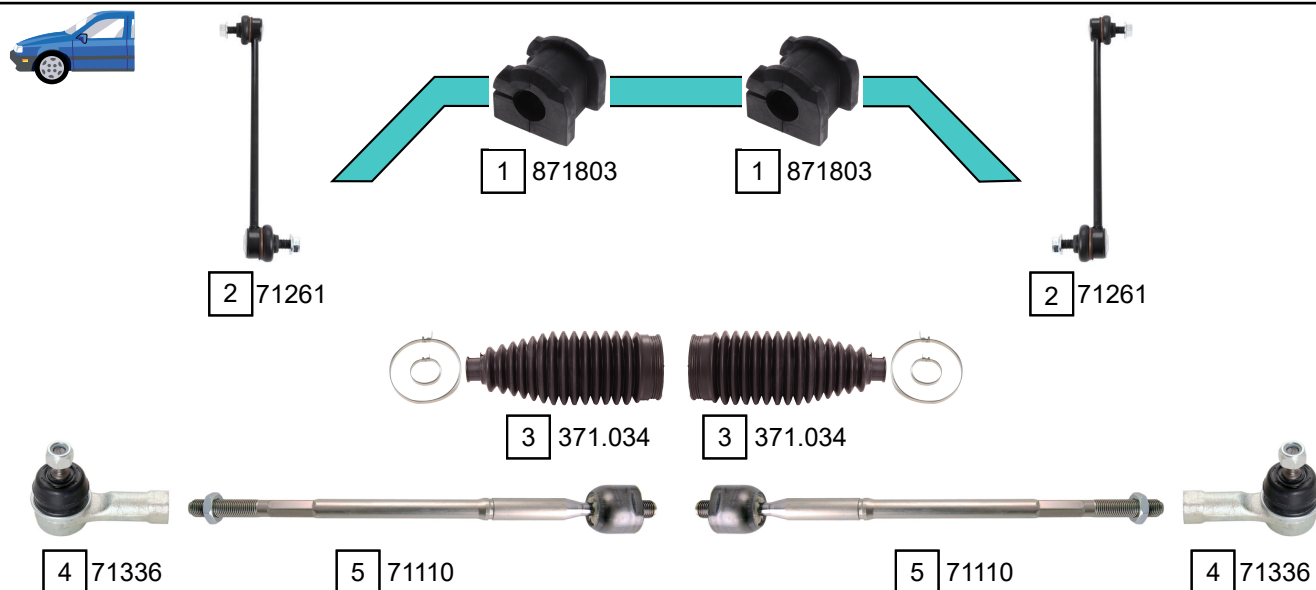


OUTLANDER III (GF_, GG_)

04/2012 ->



Ref.	Sidem Ref.	Description	OE-number	Measures	Ref.	Sidem Ref.	Description	OE-number	Measures
1	871803	stabiliser mounting	4056A079	di:22	8	871628	silentblock for TCA	Part of	di:14.2 do:37
2	71261	stabiliser link	MN101368	L:265	9	871625	silentblock for TCA	Part of	di:14.1 do:60
3	371.034	steering rack gaiter	4410A328	D:51 d:14 L:166	10	71084	ball joint	Part of	c:20 do:40.1
4	71336	tie rod end	4422A052	c:13.3 th:FM14X1.5R	11	R10080	mounting tool ring ø48 ø40	TOOL	di:40 do:48
5	71110	axial joint	4422A076	th:MM14X1.5R L:339	12	71572	TCA left wbj	4013A443	c:20
6	71472	TCA left wbj	4013A427	c:20	13	71573	TCA right wbj	4013A444	c:20
7	71473	TCA right wbj	4013A428	c:20	14	871626	silentblock for TCA	Part of	di:14.1 do:37