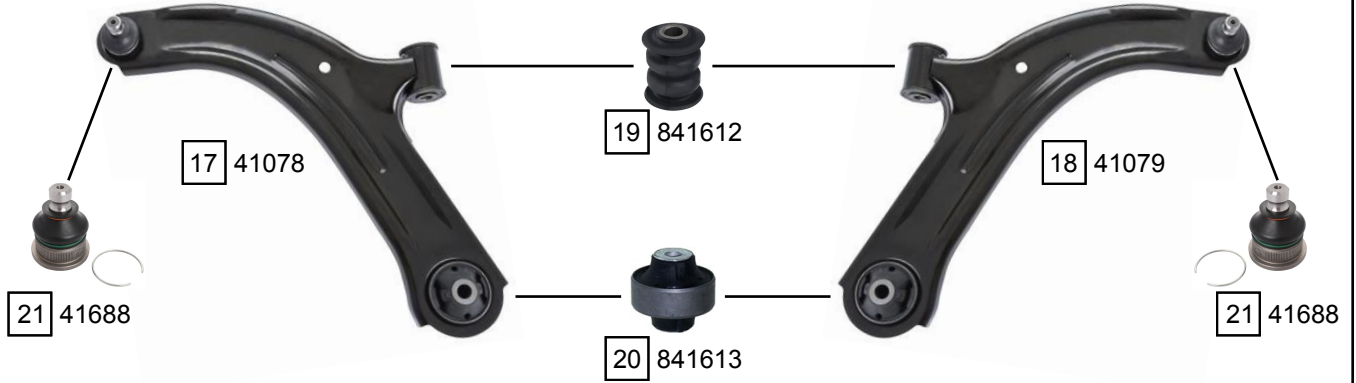
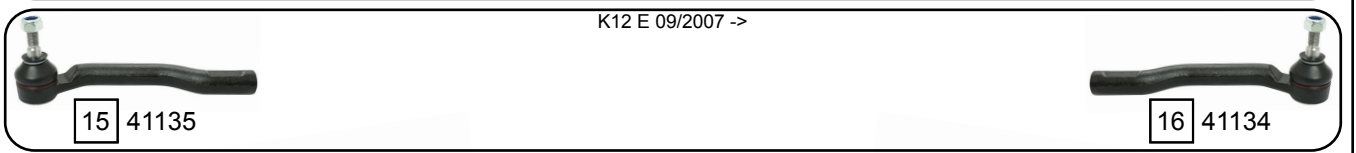
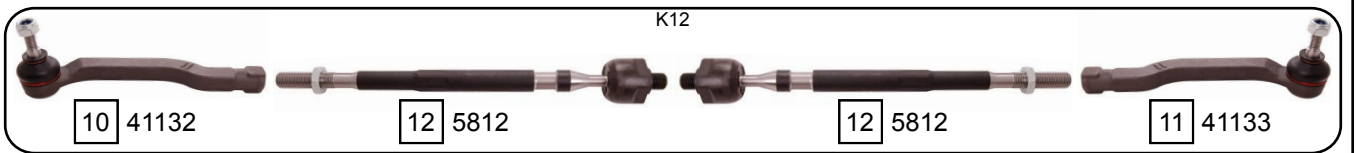
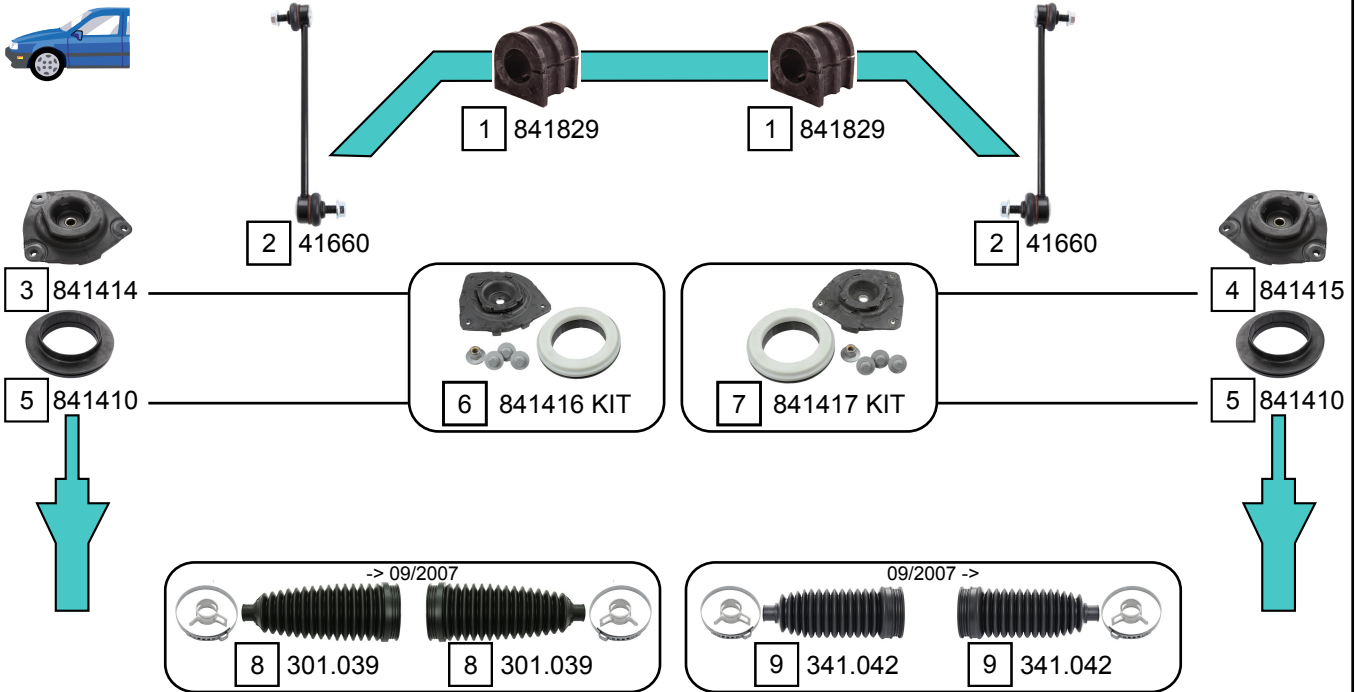


MICRA (K12)  
MICRA (K12 E)

11/2002 - 06/2010  
08/2004 - 06/2010



Ref.	Sidem Ref.	description	OE-number	measures	Ref.	Sidem Ref.	description	OE-number	measures
1	841829	stabilizer mounting	54613 BC21A	di:21	12	5812	axial joint	Part of	th:MM14X1.5R L:303
2	41660	stabilizer link	54618 BC40A	L:248	13	5830	tie rod end left	48640 AX602	c:12 th:FM14X1.5R
3	841414	strut mount	54321 BC40A	di:12.5 L:59.2	14	5831	tie rod end right	48520 AX602	c:12 th:FM14x1.5R
4	841415	strut mount	54320 BC40A	di:12.5 L:59.2	15	41135	tie rod end left	48527 1U61A	c:11.8 th:FM12x1.25R
5	841410	bearing	54325 JE21C	di:91 do:139 L:36	16	41134	tie rod end right	48647 1U61A	c:11.7 th:FM12x1.25R
6	841416 KIT	strut mount kit	54321 BC40A S1	di:12	17	41078	TCA left wbj	54501 BC42A	c:16
7	841417 KIT	strut mount kit	54320 BC40A S1	di:12	18	41079	TCA right wbj	54500 BC42A	c:16
8	301.039	steering rack gaiter	48203 AX600	D:45 d:14 L:166	19	841612	silentblock for TCA	54560 AX600	di:12.1 do:35.8
9	341.042	steering rack gaiter	48203 1U61A	D:51 d:12 L:155	20	841613	silentblock for TCA	54570 AX600	di:12.2 do:58.4
10	41132	tie rod end left	48640 AX600	c:11.7 th:FM14X1.5R	21	41688	ball joint	Part of	c:16
11	41133	tie rod end right	48520 AX600	c:11.7 th:FM14X1.5R					