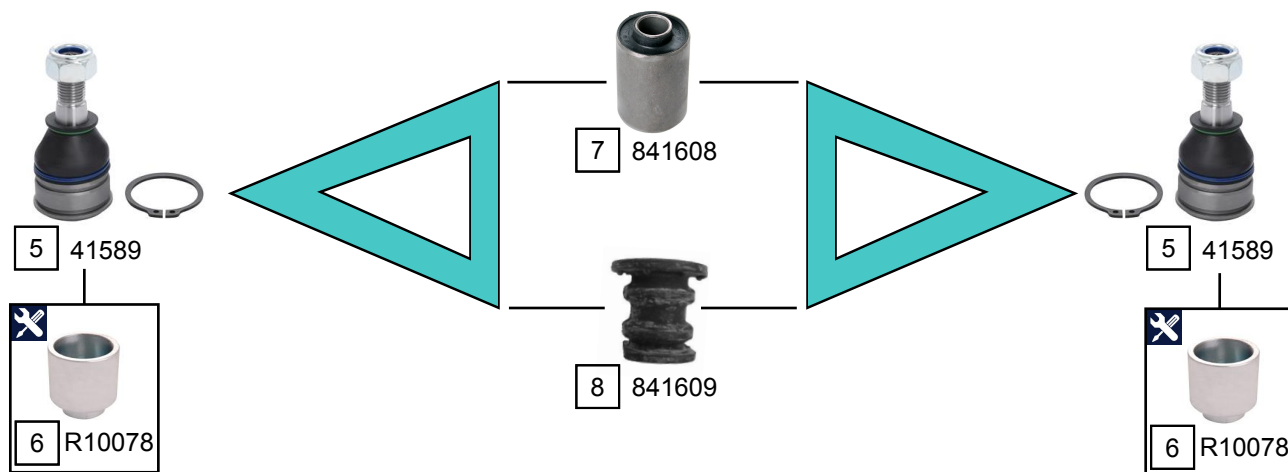
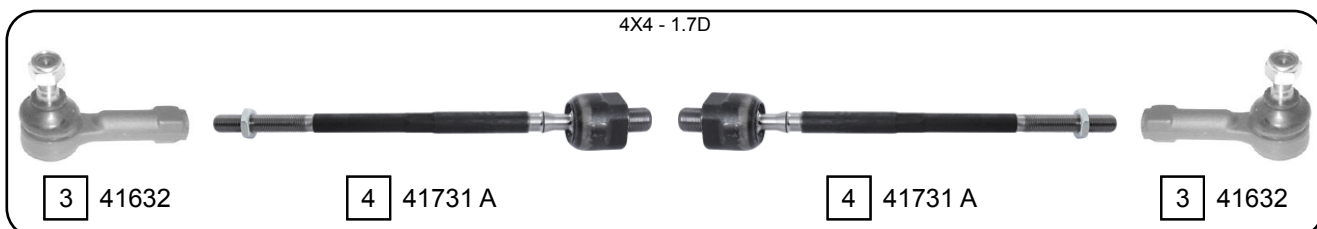
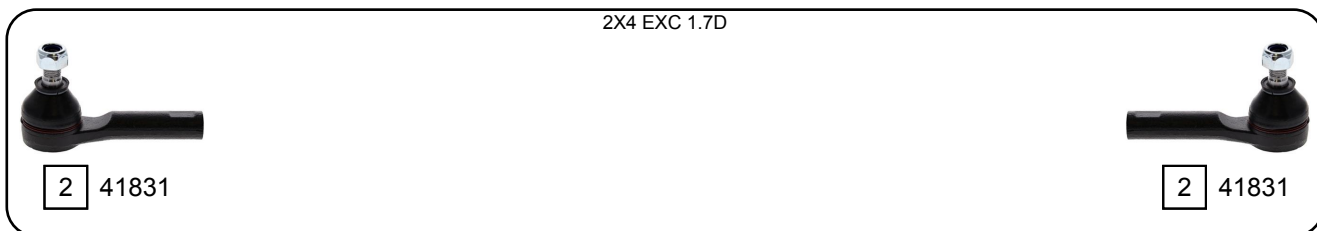
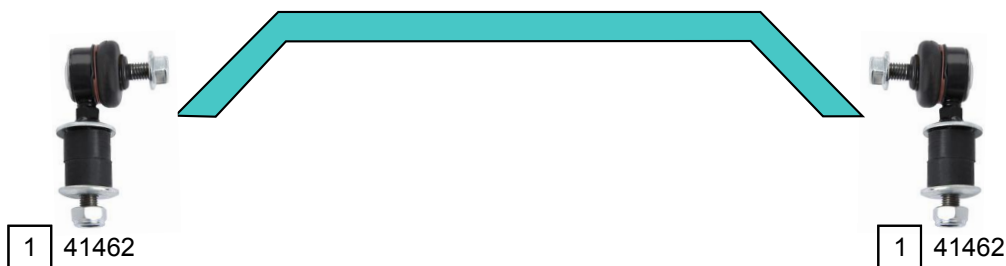


SUNNY II (B12,N13)

06/1986 - 09/1990



| Ref. | Sidem Ref. | Description | OE-number | Measures | Ref. | Sidem Ref. | Description | OE-number | Measures |
|------|------------|-----------------|-------------|--------------------|------|------------|----------------------------|-------------|-----------------|
| 1 | 41462 | stabilizer link | 54618 50Y00 | L:79 | 5 | 41589 | ball joint lower | Part of | c:15 do:38.1 |
| 2 | 41831 | tie rod end | 48520 02E26 | c:13 th:FM12X1.25R | 6 | R10078 | mounting tool ring ø44 ø36 | TOOL | di:36 do:44 |
| 3 | 41632 | tie rod end | 48520 D0125 | c:13 th:FM12X1.25R | 7 | 841608 | silentblock for TCA | 54560 50A00 | di:14.4 do:36.2 |
| 4 | 41731 A | axial joint | 48521 70A06 | th:MM16X1R L:270 | 8 | 841609 | silentblock for TCA | 54570 50A10 | di:20.2 do:54.2 |