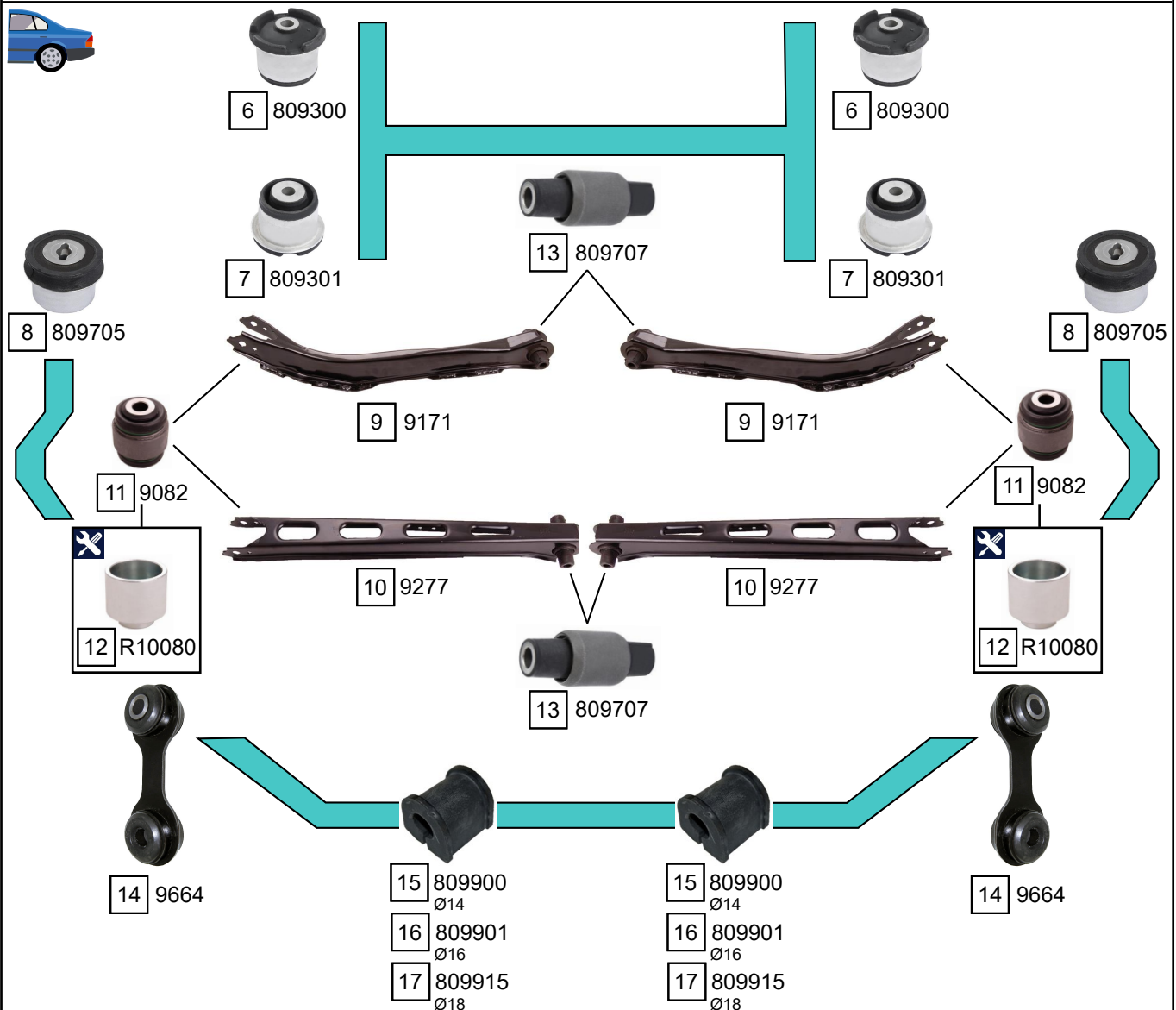
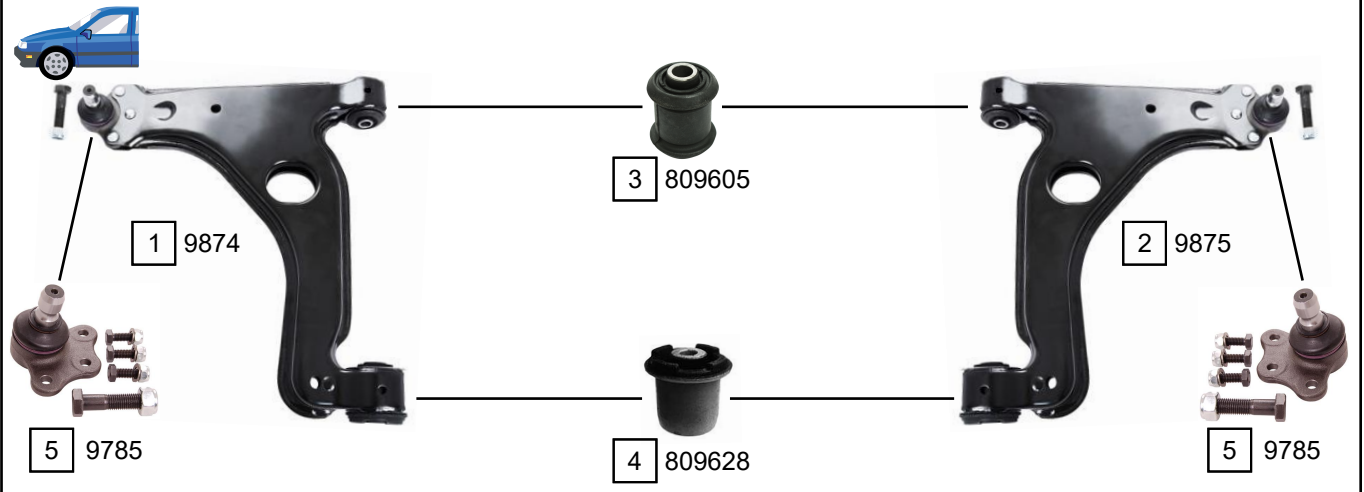


VECTRA B (36\_,31\_,38\_)

10/1995 - 04/2002



Ref.	Sidem Ref.	Description	OE-number	Measures	Ref.	Sidem Ref.	Description	OE-number	Measures
1	9874	TCA left wbj	53 52 016	c:18	10	9277	TCA	4 64 023	L:525
2	9875	TCA right wbj	53 52 017	c:18	11	9082	ball joint rear	423121	di:12 do:45.1
3	809605	silentblock for TCA	3 52 357	di:12.2 do:36	12	R10080	mounting tool ring ø48 ø40	TOOL	di:40 do:48
4	809628	silentblock for TCA	3 52 358	di:12.3 do:47.7	13	809707	silentblock for TCA	4 23 316	di:12 do:35
5	9785	ball joint	3 52 800	c:18	14	9664	stabiliser link rear axle	4 44 291	L:80
6	809300	mounting axle body	54 02 630	di:14 do:66	15	809900	stabiliser mounting	4 44 199	di:14.5
7	809301	mounting axle body	54 02 631	di:14 do:64	16	809901	stabiliser mounting	4 44 200	di:15.5
8	809705	silentblock for TCA	4 23 302	di:13.1 do:60	17	809915	stabiliser mounting	4 44 201	di:16.5
9	9171	TCA	4 23 026	L:523					