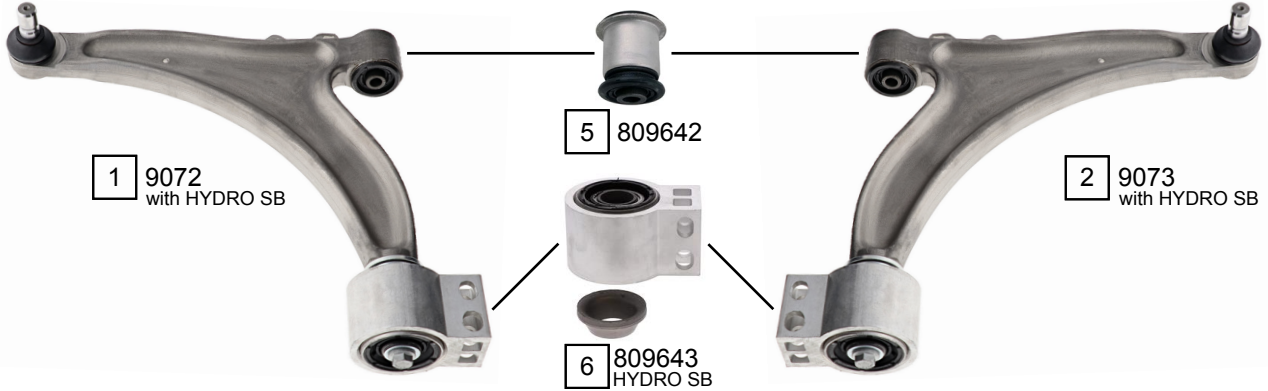


INSIGNIA A (G09)
INSIGNIA A SALOON (G09)
INSIGNIA A SPORTS TOURER (G09)

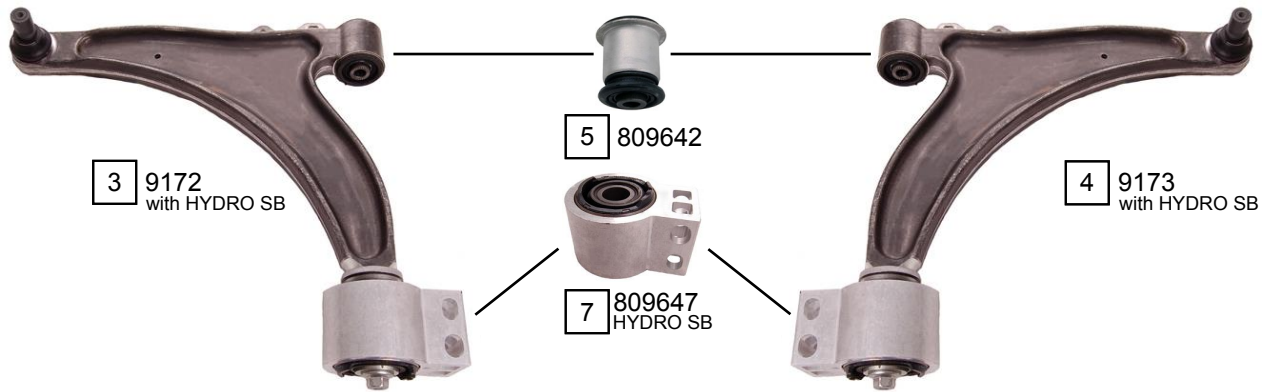
07/2008 - 03/2017



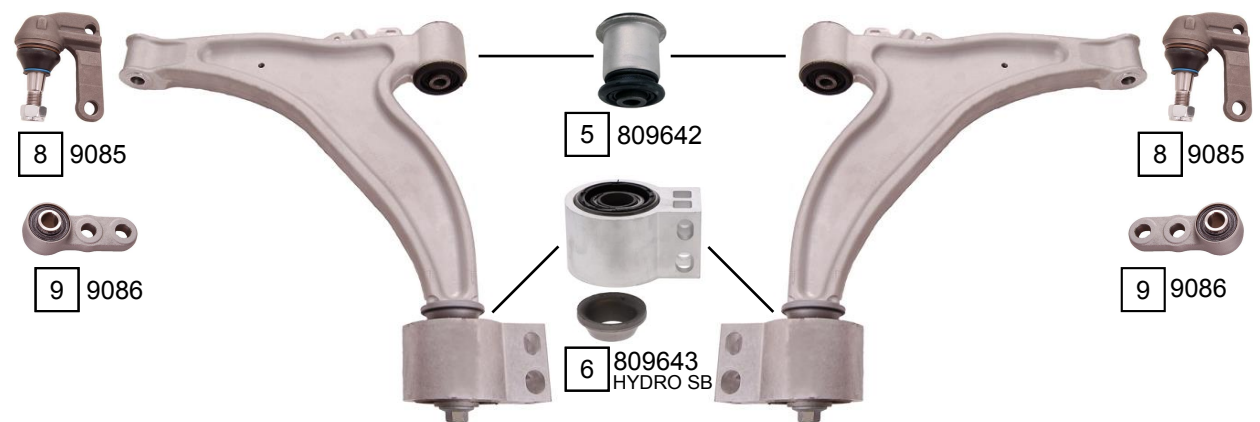
STANDARD SUSPENSION -> CHAS B 1999999



SPORT SUSPENSION
STANDARD SUSPENSION CHAS C 1000001 ->



HIPERSTRUT SUSPENSION + OPC



Ref.	Sidem Ref.	Description	OE-number	Measures	Ref.	Sidem Ref.	Description	OE-number	Measures
1	9072	TCA left wbj	3 52 050	c:20	6	809643	silentblock for TCA + ring	3 52 868	di:22.3
2	9073	TCA right wbj	3 52 071	c:20	7	809647	silentblock for TCA	3 52 519	di:22.3
3	9172	TCA left wbj	3 52 520	c:20	8	9085	ball joint upper	3 24 000	c:17
4	9173	TCA right wbj	3 52 521	c:20	9	9086	ball joint	3 08 097	c:15
5	809642	silentblock for TCA	3 52 866	di:12.4 do:40.4					