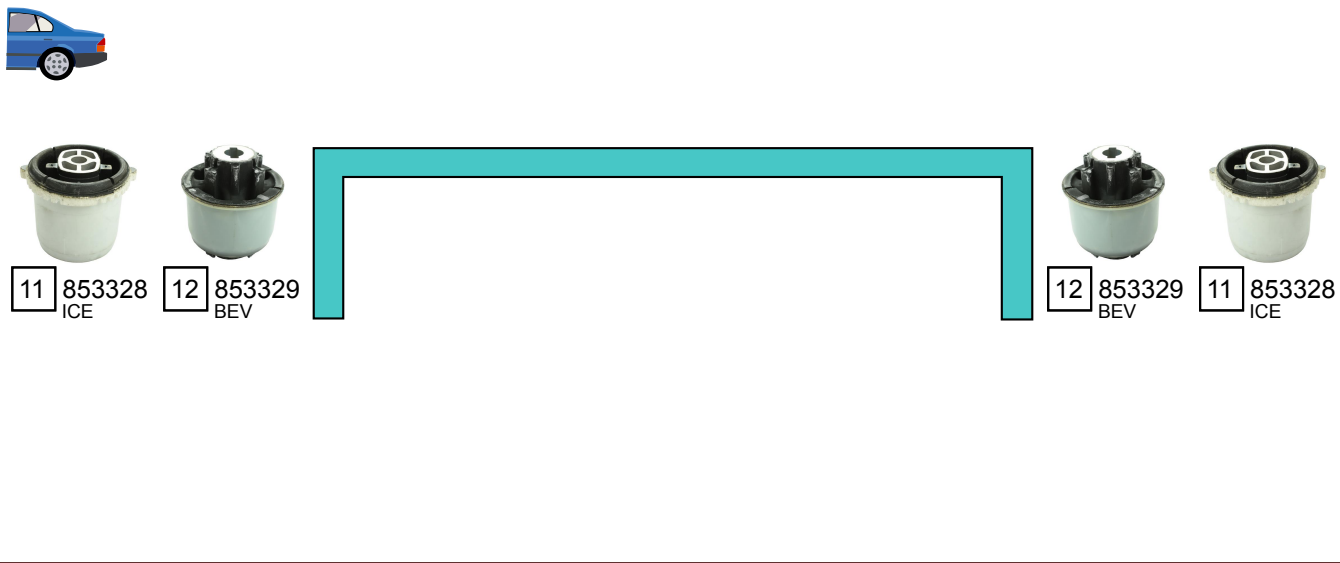
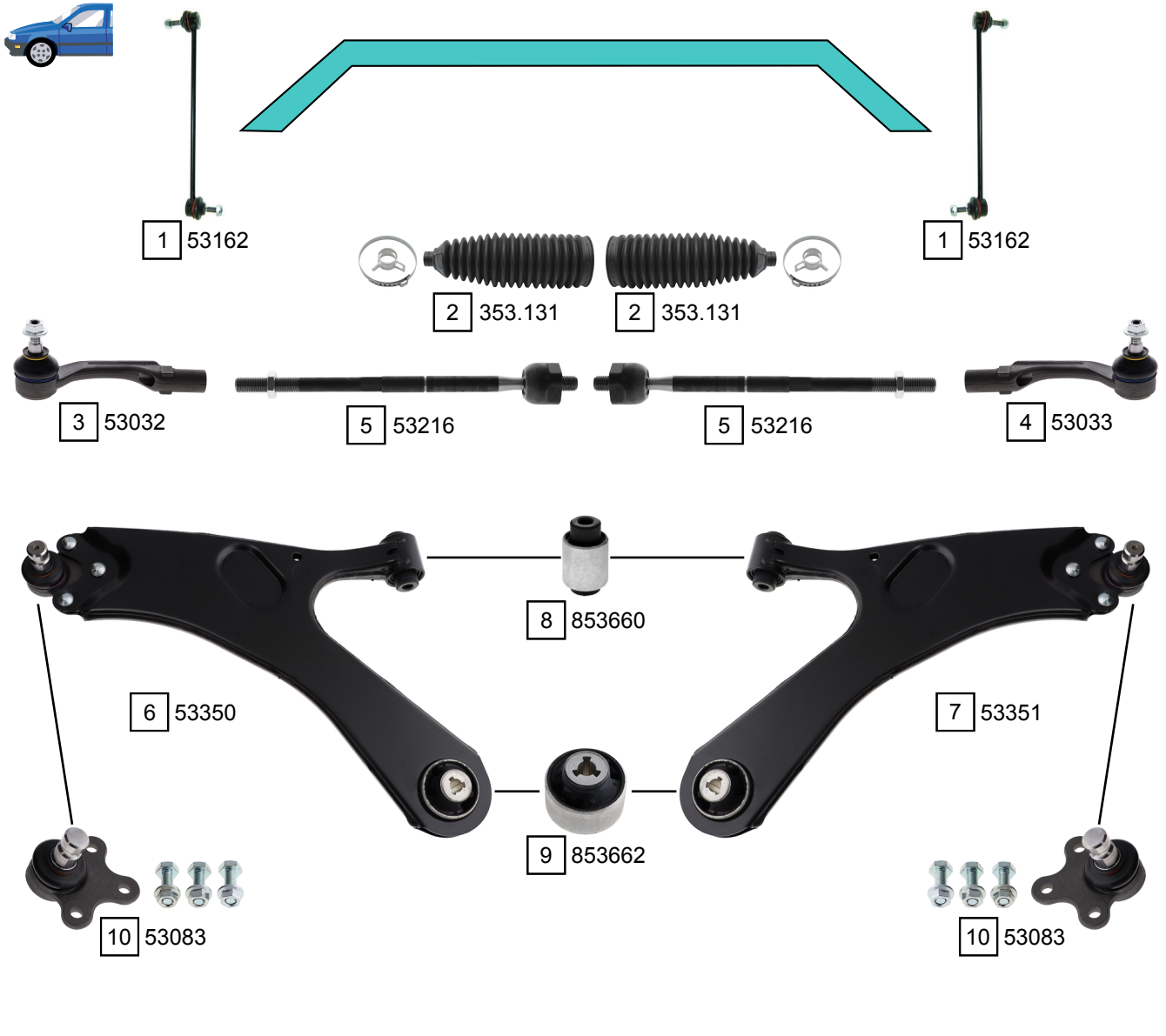


MOKKA (P2QO)

06/2020 ->



Ref.	Sidem Ref.	Description	OE-number	Measures	Ref.	Sidem Ref.	Description	OE-number	Measures
1	53162	stabilizer link	98 246 525 80	L:324	7	53351	TCA right wbj	98 316 827 80	c:20
2	353.131	steering rack gaiter	16 483 223 80	D:52 d:14 L:181	8	853660	silentblock for TCA	Part of	di:12.2 do:38
3	53032	tie rod end left	16 483 226 80	c:12.1 th:FM14X1.5R	9	853662	silentblock for TCA	Part of	di:12.2 do:56.2
4	53033	tie rod end right	16 483 255 80	c:12.1 th:FM14X1.5R	10	53083	ball joint	98 246 267 80	c:20
5	53216	axial joint	Part of	th:MM14X1.5R L:293	11	853328	mounting axle body	98 256 586 80	di:12.2 do:72
6	53350	TCA left wbj	98 316 825 80	c:20	12	853329	mounting axle body	98 359 379 80	di:14.2 do:72