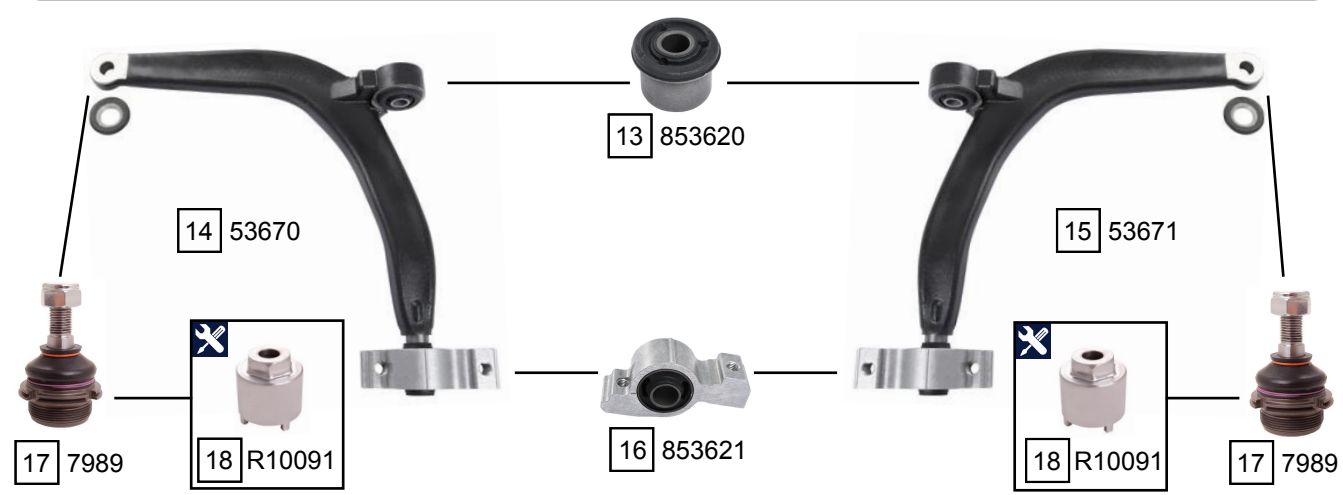
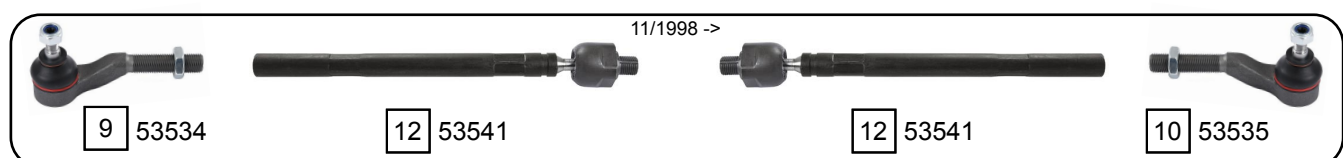
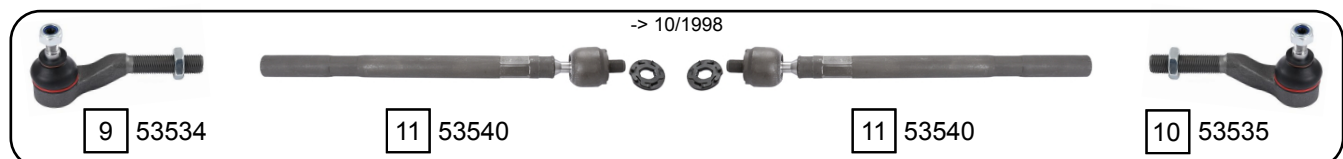
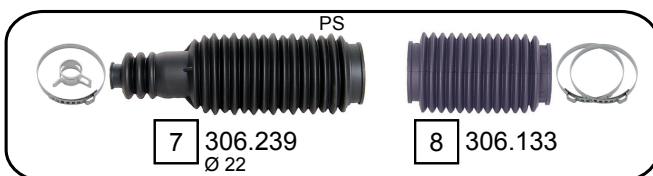
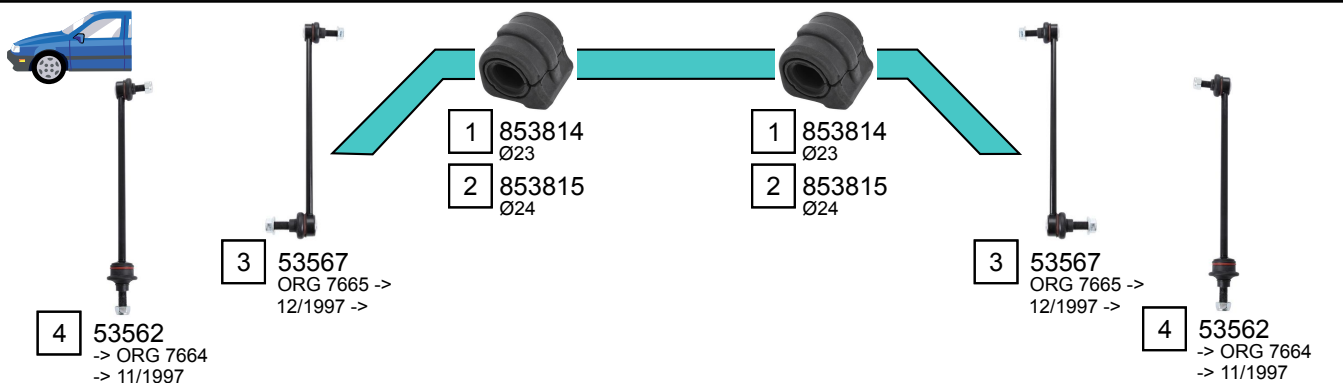


406

10/1995 - 10/2004



Ref.	Sidem Ref.	Description	OE-number	Measures	Ref.	Sidem Ref.	Description	OE-number	Measures
1	853814	stabilizer mounting	5094 74	di:23	10	53535	tie rod end right	3817 39	c:12 th:MM16X1.5R
2	853815	stabilizer mounting	5094 75	di:24	11	53540	axial joint	3812 A9	th:MM12X1R L:313
3	53567	stabilizer link	5087 60	L:319	12	53541	axial joint	3812 C4	th:MM16X1.5R L:301
4	53562	stabilizer link	5087 40	L:323	13	853620	silentblock for TCA	3523 78	di:14 do:37
5	853405	strut mount	5038 66	di:14.3 do:98 L:56.5	14	53670	TCA left wobj	3520 C0	c:15.2
6	853410 KIT	strut mount kit	5038 66 S1	di:14 do:150 L:55	15	53671	TCA right wobj	3521 E1	c:15.2
7	306.239	steering rack gaiter	4066 42	D:45 d:14 L:206	16	853621	silentblock for TCA	3523 61	di:20.1 do:20.1
8	306.133	steering rack gaiter	4066 30	D:44 d:44 L:120	17	7989	ball joint	3640 71	c:15.9
9	53534	tie rod end left	3817 40	c:12 th:MM16X1.5R	18	R10091	mounting tool	SEE PAGE II	di:43.3