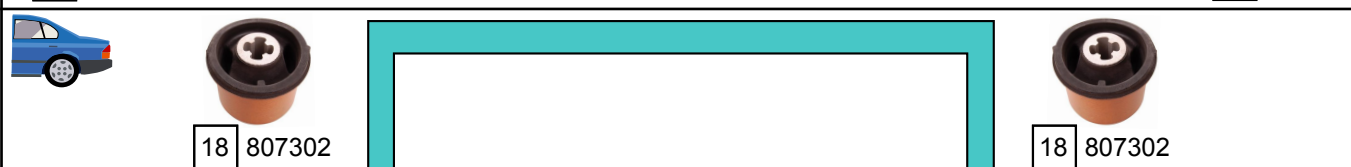
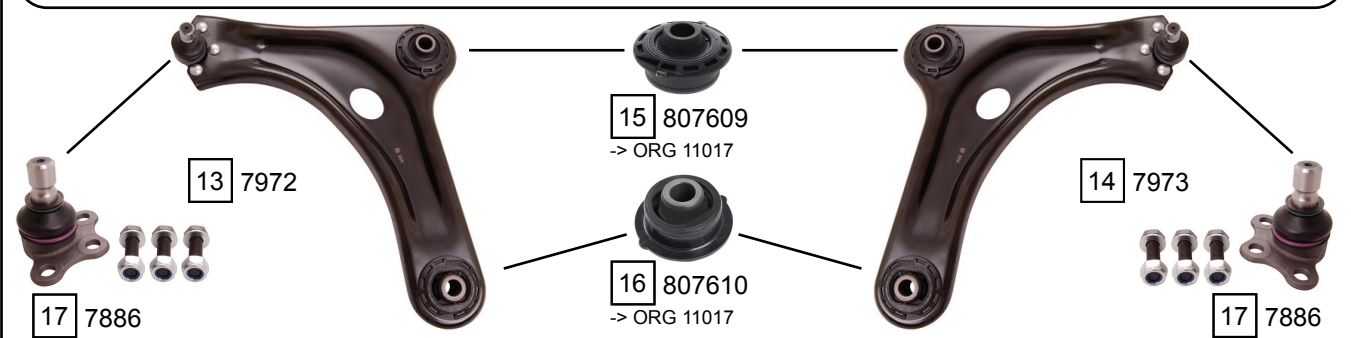
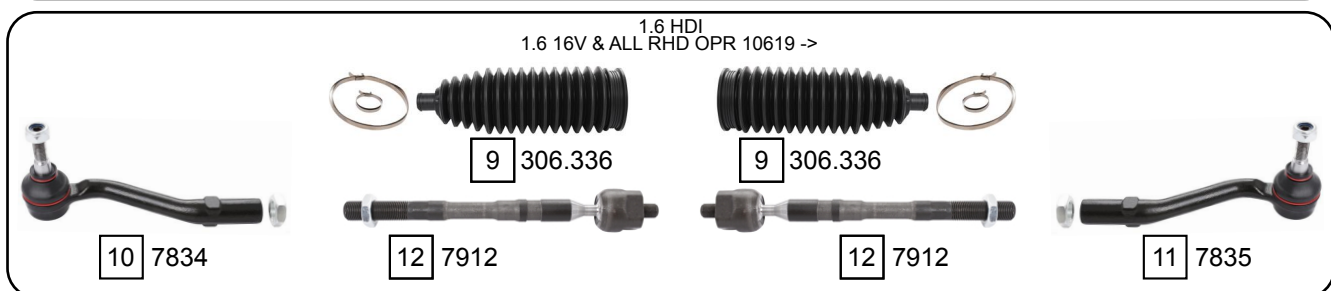
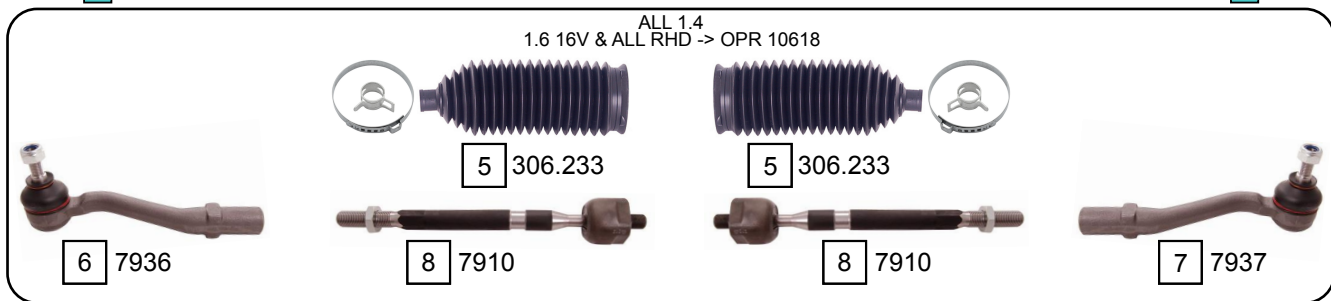
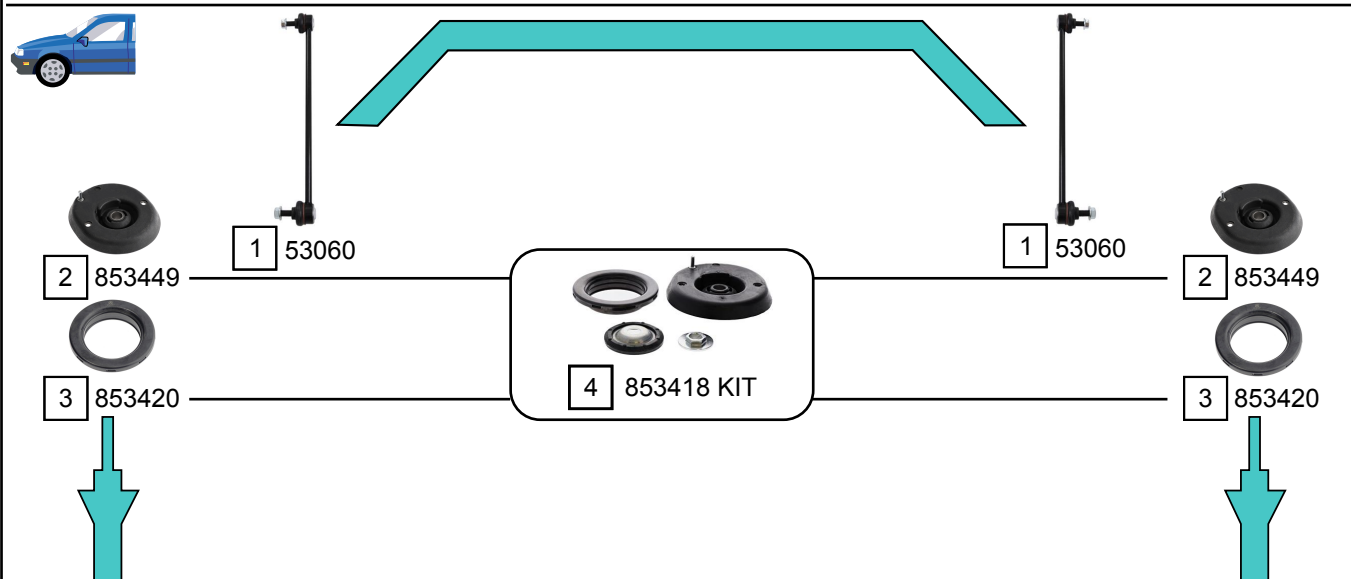


1007 (KM_)

04/2005 - 11/2009



Ref.	Sidem Ref.	Description	OE-number	Measures	Ref.	Sidem Ref.	Description	OE-number	Measures
1	53060	stabilizer link	5087 59	L:336	10	7834	tie rod end left	3817 62	c:12.1 th:FM16X1.5R
2	853449	strut mount	5038 F5	di:14.2	11	7835	tie rod end right	3817 61	c:12.1 th:FM16X1.5R
3	853420	bearing	5035 27	di:65 do:99.5 L:20	12	7912	axial joint	3812 E6	th:MM12X1R L:238
4	853418 KIT	strut mount kit	5031 96	di:14	13	7972	TCA left wbj	3520 R6	c:18
5	306.233	steering rack gaiter	4066 69	D:50 d:14 L:165	14	7973	TCA right wbj	3521 N7	c:18
6	7936	tie rod end left	3817 55	c:12.2 th:FM14X1.5R	15	807609	silentblock for TCA	3523 98	di:18 do:56
7	7937	tie rod end right	3817 56	c:12.2 th:FM14X1.5R	16	807610	silentblock for TCA	3523 AA	di:18 do:56
8	7910	axial joint	3812 E1	th:MM12X1R L:235	17	7886	ball joint	3640 65	c:18
9	306.336	steering rack gaiter	4066 76	D:50 d:16 L:168	18	807302	mounting axle body	5131 C6	di:12 do:61