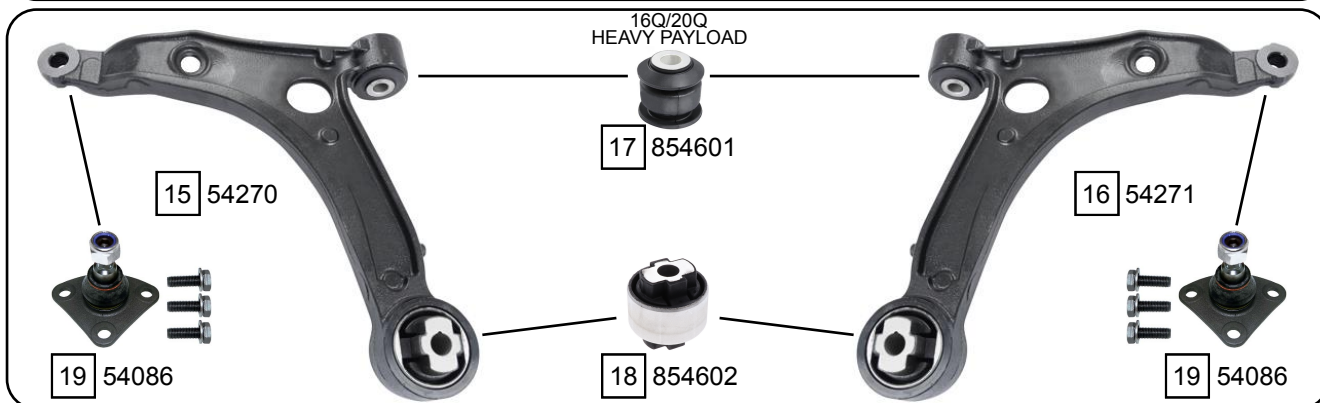
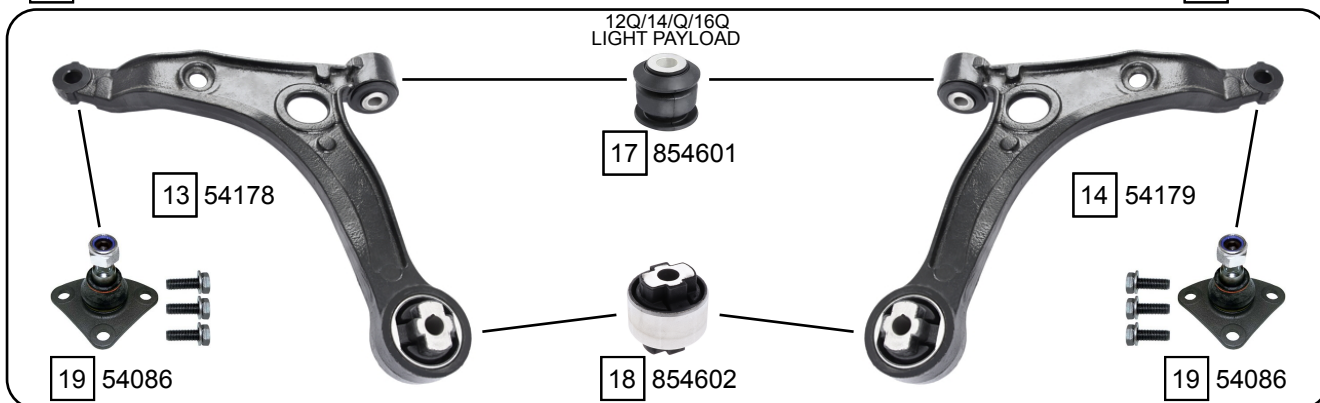
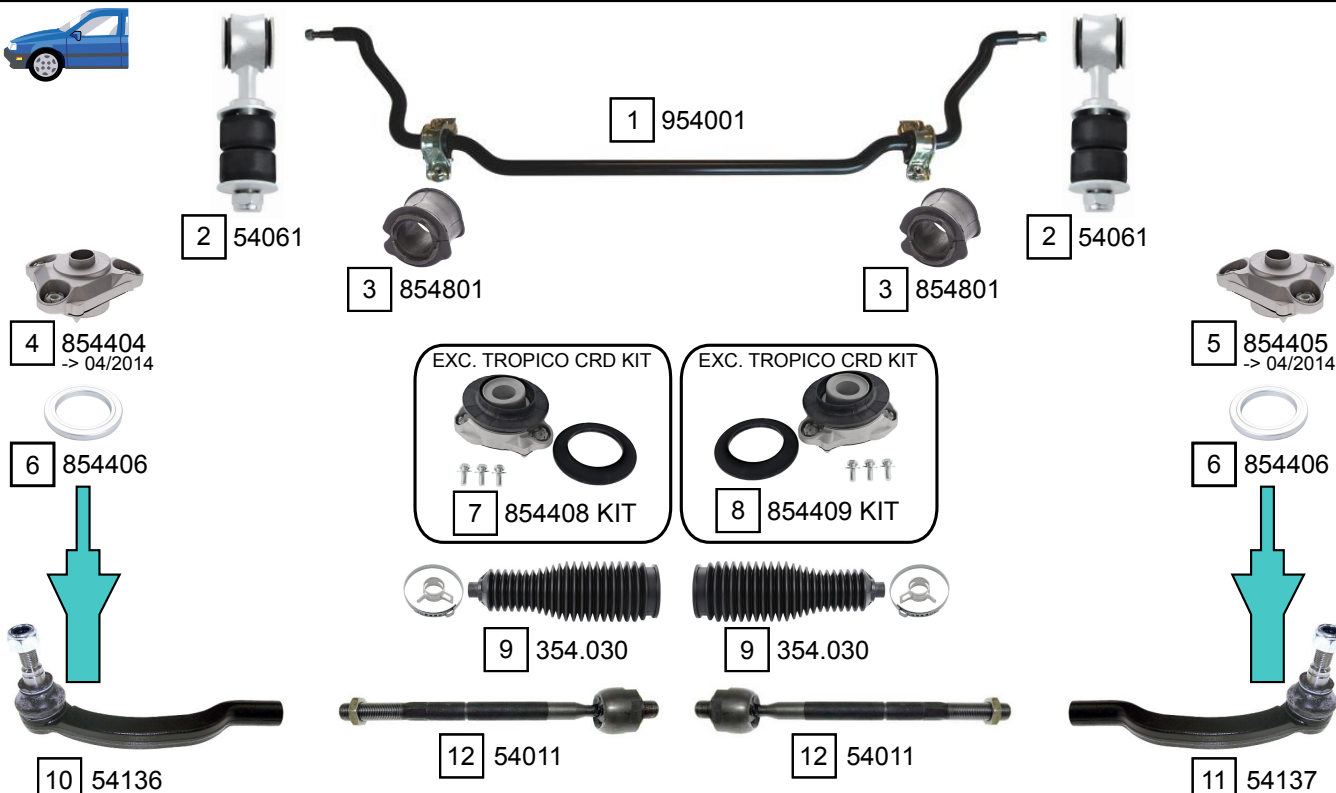


BOXER III
e-BOXER

04/2006 ->
07/2021 ->



Ref.	Sidem Ref.	Description	OE-number	Measures	Ref.	Sidem Ref.	Description	OE-number	Measures
1	954001	stabilizer bar	16 127 364 80	do:26.2 L:1398	11	54137	tie rod end right	16 109 763 80	c:16.6 th:FM16X1.5R
2	54061	stabilizer link	Part of	L:112	12	54011	axial joint	Part of	th:MM16X1.5R L:260
3	854801	stabilizer mounting	Part of	di:24.5	13	54178	TCA left wobj	3520 S0	c:19.7
4	854404	strut mount	16 076 912 80	di:14.2 do:86	14	54179	TCA right wobj	3521 P1	c:19.7
5	854405	strut mount	Part of	di:14.2	15	54270	TCA left wobj	3520 S1	c:19.7
6	854406	bearing	16 202 985 80	di:49.1 do:70.3 L:8.3	16	54271	TCA right wobj	3521 P2	c:19.7
7	854408 KIT	strut mount kit	Part of	di:14	17	854601	silentblock for TCA	Part of	di:18.5 do:56.8
8	854409 KIT	strut mount kit	Part of	di:14	18	854602	silentblock for TCA	Part of	di:20 do:74
9	354.030	steering rack gaiter	16 109 762 80	D:55 d:14 L:225	19	54086	ball joint	3640 67	c:20.5
10	54136	tie rod end left	16 109 764 80	c:16.6 th:FM16X1.5R					