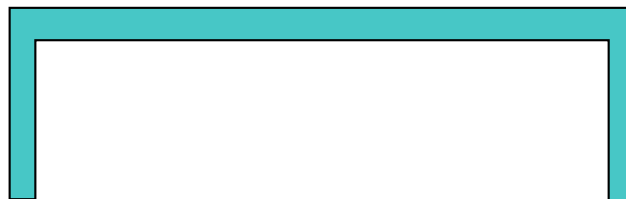
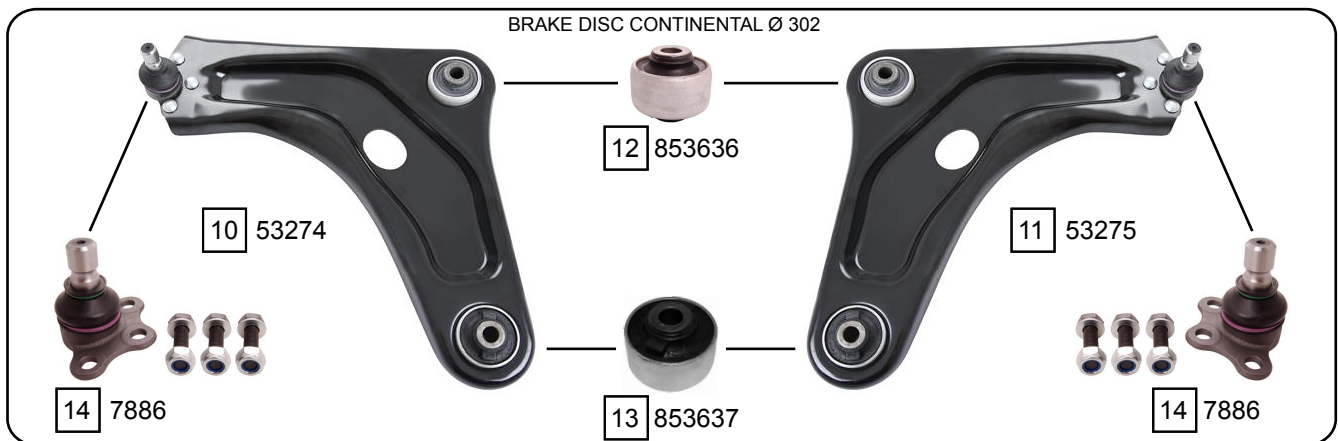
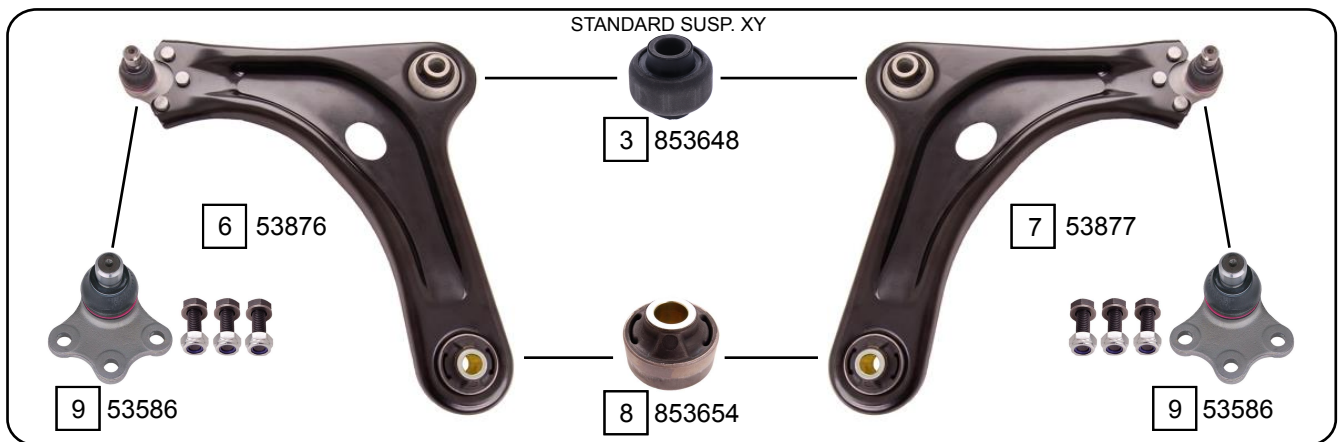
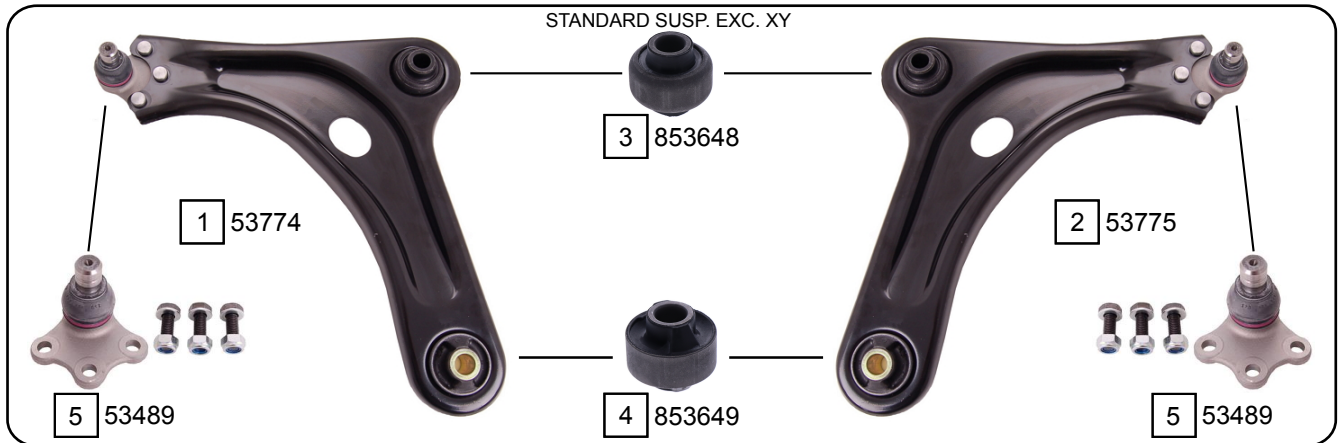


208 I (CA_, CC_)

05/2012 - 03/2020



Ref.	Sidem Ref.	Description	OE-number	Measures	Ref.	Sidem Ref.	Description	OE-number	Measures
1	53774	TCA left wbj	96 707 720 80	c:18	9	53586	ball joint	3640 77	c:18
2	53775	TCA right wbj	96 707 714 80	c:18	10	53274	TCA left wbj	3520 R7	c:18
3	853648	silentblock for TCA	Part of	di:18 do:55.3	11	53275	TCA right wbj	3521 N8	c:18
4	853649	silentblock for TCA	Part of	di:18 do:55.3	12	853636	silentblock for TCA	3523 CE	di:14.2 do:56.5
5	53489	ball joint	3640 78	c:18	13	853637	silentblock for TCA	3523 CC	di:14.2 do:56.5
6	53876	TCA left wbj	98 032 865 80	c:18	14	7886	ball joint	3640 65	c:18
7	53877	TCA right wbj	98 032 864 80	c:18	15	807303	mounting axle body	5131 H4	di:12.2 do:72
8	853654	silentblock for TCA	Part of	di:18 do:55.3					