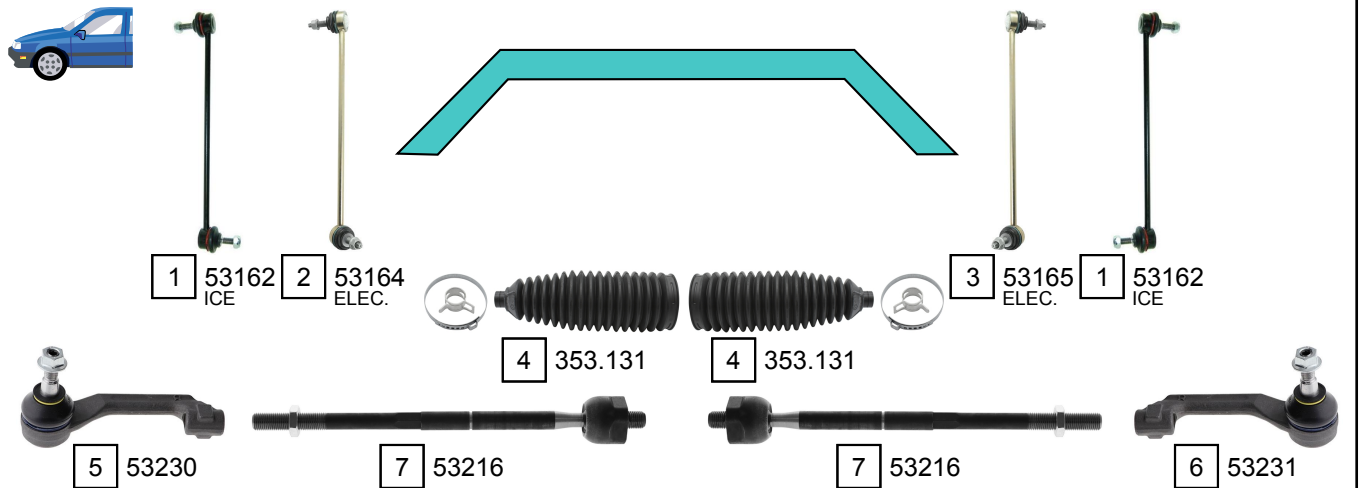
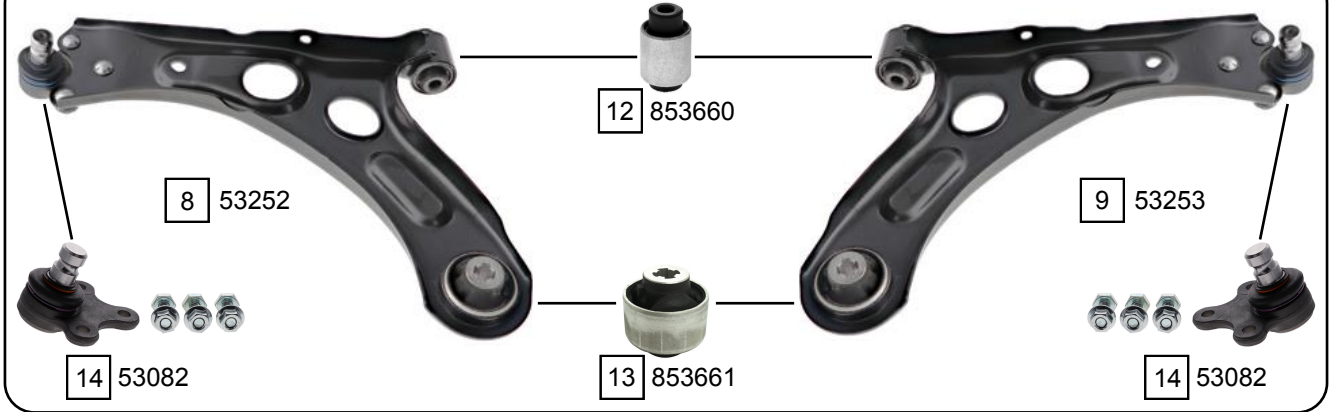


208 II (P21E)  
e-208 (P21E)

06/2019 ->  
01/2023 ->



ICE (INTERNAL COMBUSTION ENGINE) DRIVE TRAIN



ELECTRIC DRIVE TRAIN



Ref.	Sidem Ref.	Description	OE-number	Measures	Ref.	Sidem Ref.	Description	OE-number	Measures
1	53162	stabilizer link	98 246 525 80	L:324	10	53254	TCA left wbj	98 316 835 80	c:20
2	53164	stabilizer link left	98 368 495 80	L:324	11	53255	TCA right wbj	98 316 214 80	c:20
3	53165	stabilizer link right	98 368 424 80	L:324	12	853660	silentblock for TCA	Part of	di:12.2 do:38
4	353.131	steering rack gaiter	16 483 223 80	D:52 d:14 L:181	13	853661	silentblock for TCA	Part of	di:12.2 do:56
5	53230	tie rod end left	16 696 485 80	c:12.1 th:FM14X1.5R	14	53082	ball joint	98 246 263 80	c:20
6	53231	tie rod end right	16 696 484 80	c:12.1 th:FM14X1.5R	15	53083	ball joint	98 246 267 80	c:20
7	53216	axial joint	16 483 222 80	th:MM14X1.5R L:293	16	853306	mounting axle body	98 255 514 80	di:12.2 do:71.6
8	53252	TCA left wbj	98 579 030 80	c:20	17	853329	mounting axle body	98 359 379 80	di:14.2 do:72
9	53253	TCA right wbj	98 578 978 80	c:20					