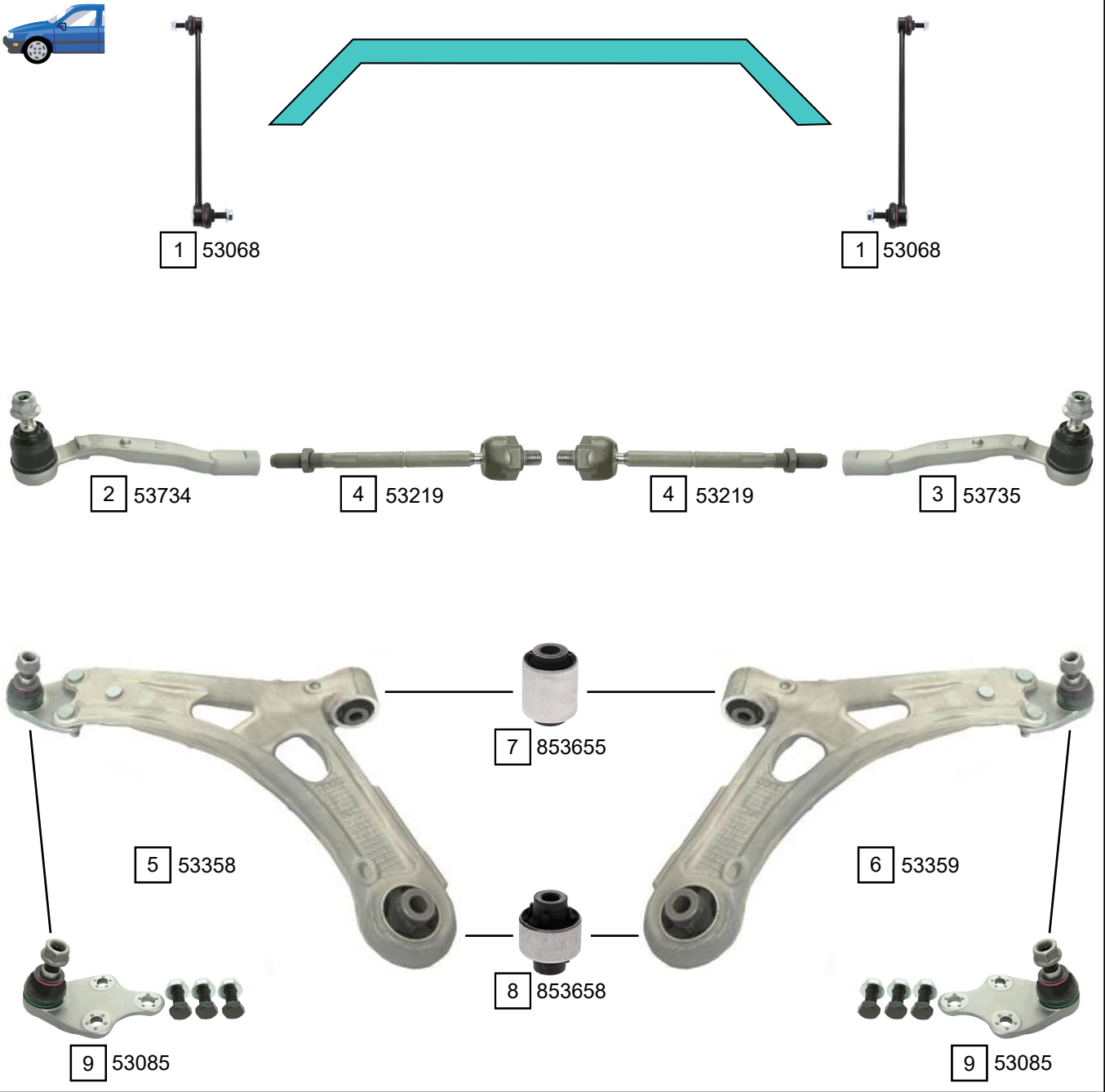


408 (P54)

07/2022 ->



Ref.	Sidem Ref.	Description	OE-number	Measures	Ref.	Sidem Ref.	Description	OE-number	Measures
1	53068	stabilizer link	98 090 457 80	L:335	6	53359	TCA right wbj	98 150 143 80 S3	c:16.6
2	53734	tie rod end left	16 759 583 80	c:14.3 th:FM14X1.5R	7	853655	silentblock for TCA	96 760 321 80	di:14.3 do:43.4
3	53735	tie rod end right	16 759 582 80	c:14.3 th:FM14X1.5R	8	853658	silentblock for TCA	98 163 803 80	di:14.2 do:50
4	53219	axial joint	16 759 581 80	th:MM14X1.5R L:225	9	53085	ball joint	98 373 389 80	c:16.6
5	53358	TCA left wbj	98 150 146 80 S3	c:16.6					